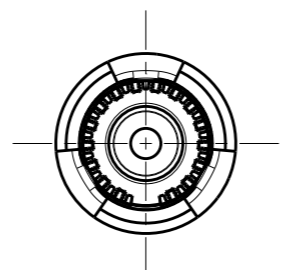
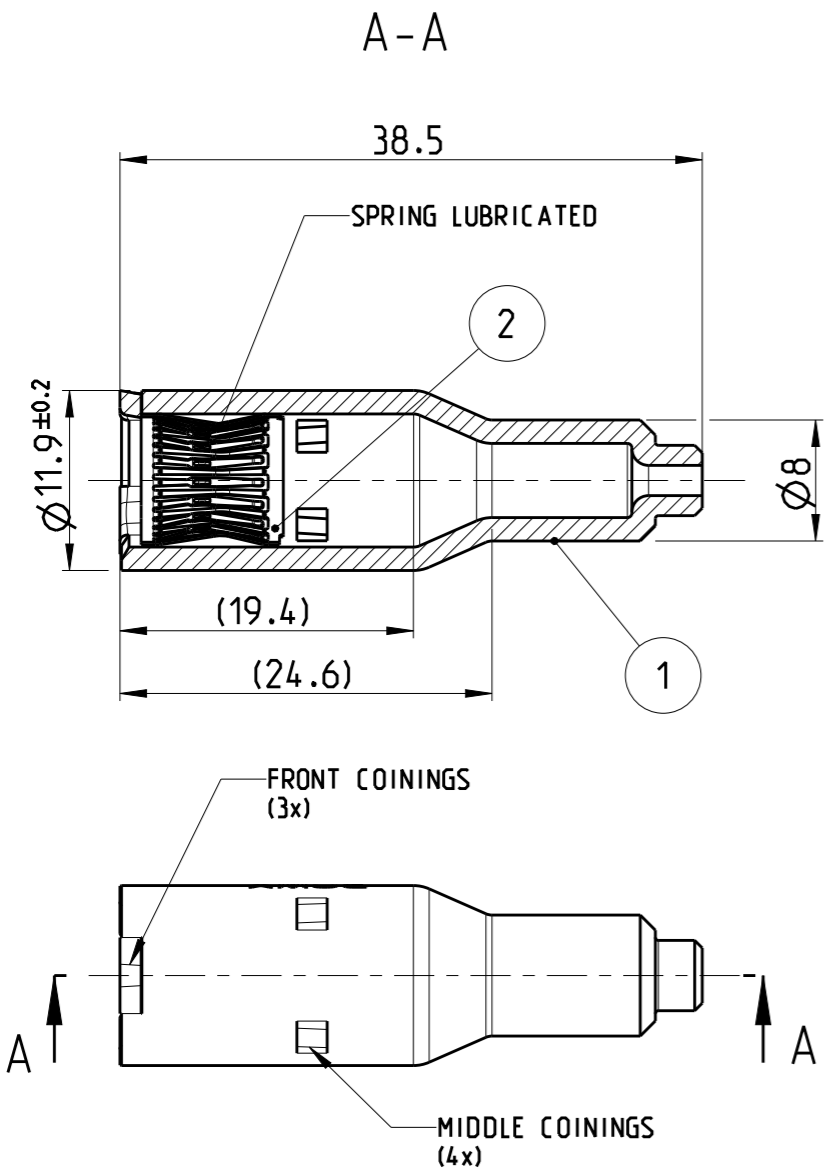


THIS DRAWING IS UNPUBLISHED. RELEASED FOR PUBLICATION 2010
 © COPYRIGHT 2010 Tyco Electronics AMP GmbH ALL RIGHTS RESERVED.

REVISIONS					
P	LTR	DESCRIPTION	DATE	DWN	APVD
	A	RELEASED	24NOV2017	JL	IY
	A1	ECR-2008102	03AUG2020	ST	EJ



- PACKAGING: LOOSE PIECE/ TRAY
- DETAILS OF THE DESIGN REMAIN THE MANUFACTURER RESERVED
- APPLICABLE PRODUCT SPECIFICATION AND APPLICATION SPECIFICATION REFER TO 108-94256 AND 114-94083

180°C	Ag	CuNiSi	1	2	HV 8mm SPRING	A	2328074-1
	Ag	Cu	1	1	HV 8mm; DEEP DRAWN SOCKET PIN 90 DEG.		
LIMIT TEMPERATURE	UPPER PLATING	MATERIAL	QTY	ITEM	DESCRIPTION	REV	ASSY NO.

THIS DRAWING IS A CONTROLLED DOCUMENT.		TOLERANCING ISO 8015		TE Connectivity			
DIMENSIONS: mm 		TOLERANCES UNLESS OTHERWISE SPECIFIED: 0 PLC ±0.2 1 PLC ±0.1 2 PLC ± 3 PLC ± 4 PLC ± ANGLES ±1°				DWN J.LI 24NOV2017 CHK E. JIANG 24NOV2017 APVD I.YIN 24NOV2017 NAME HV 8mm, DEEP DRAWN SOCKET PIN 90 DEG. ASSY	
MATERIAL SEE LIST		FINISH		PRODUCT SPEC - 3 APPLICATION SPEC - 3 WEIGHT (15 g) CUSTOMER DRAWING			
				SIZE A3	CAGE CODE 00779	DRAWING NO C-2328074	RESTRICTED TO
				SCALE 2:1	SHEET 1 OF 1	REV A1	

X-ON Electronics

Largest Supplier of Electrical and Electronic Components

Click to view similar products for [Automotive Connectors](#) category:

Click to view products by [TE Connectivity](#) manufacturer:

Other Similar products are found below :

[003-018-000](#) [60993906-B](#) [72.330.1035.1](#) [776880-1](#) [827153-1](#) [9-1326729-8](#) [9-221607-5](#) [925474-1](#) [928905-1](#) [964562-4](#) [968782-1](#) [12004468](#)
[12004475-L](#) [12004483](#) [12052466](#) [12066163](#) [12015909](#) [12077753](#) [1-21030-1](#) [12047957](#) [12047958](#) [12084688](#) [12185550](#) [12336-12](#) [1-](#)
[326211-1](#) [13681974](#) [13688972](#) [13755420](#) [13779834](#) [13783086](#) [13843152](#) [13522378](#) [13581967](#) [13669624](#) [13675513](#) [13753471](#) [13946876](#)
[13953457](#) [13955963](#) [13964573](#) [13971791](#) [13790534-L](#) [13797473](#) [13805590](#) [13888202](#) [1428188-1](#) [1437287-3](#) [1428188-2](#) [DS07-19S-5020](#)
[1456983-5](#)