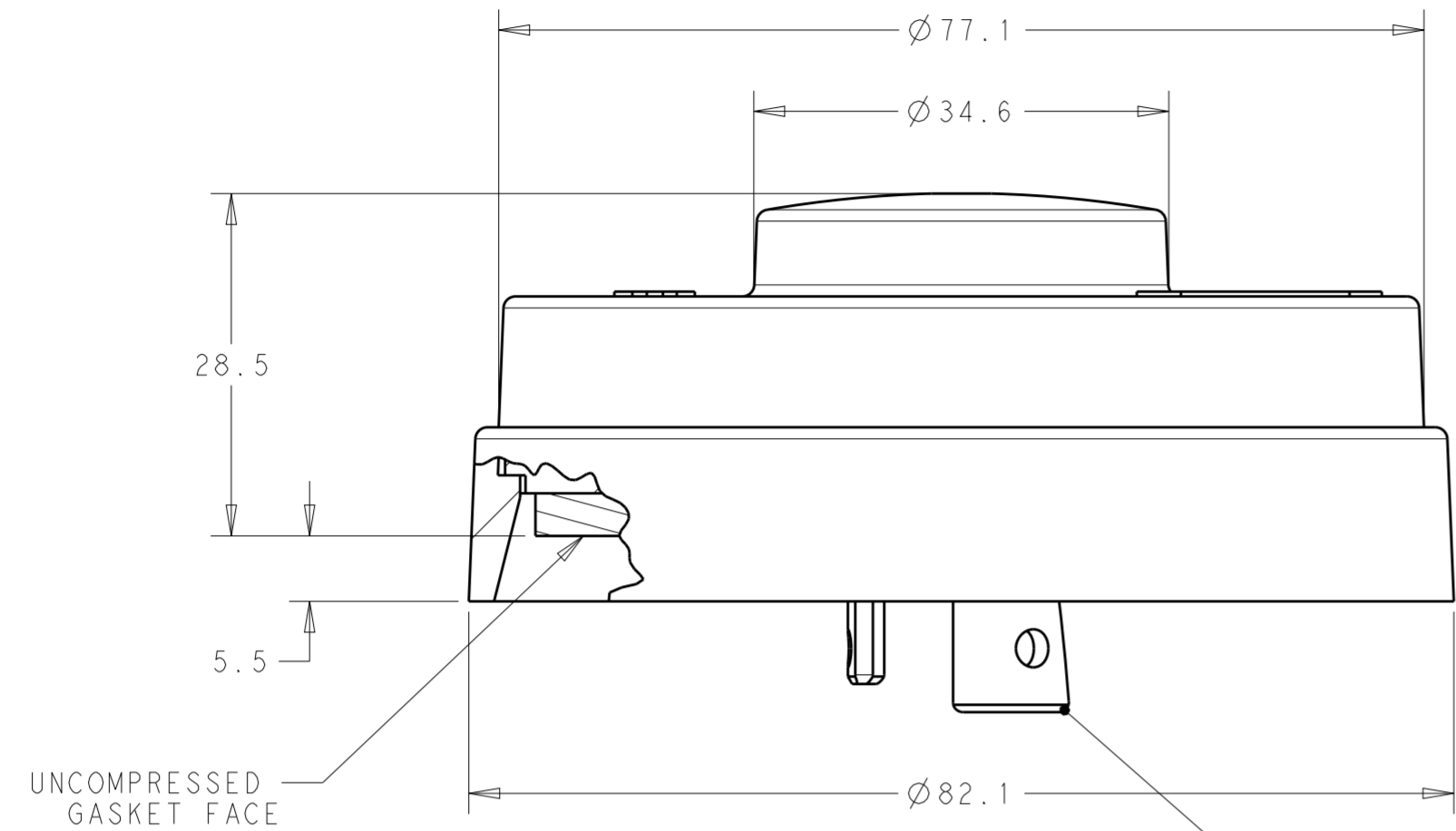
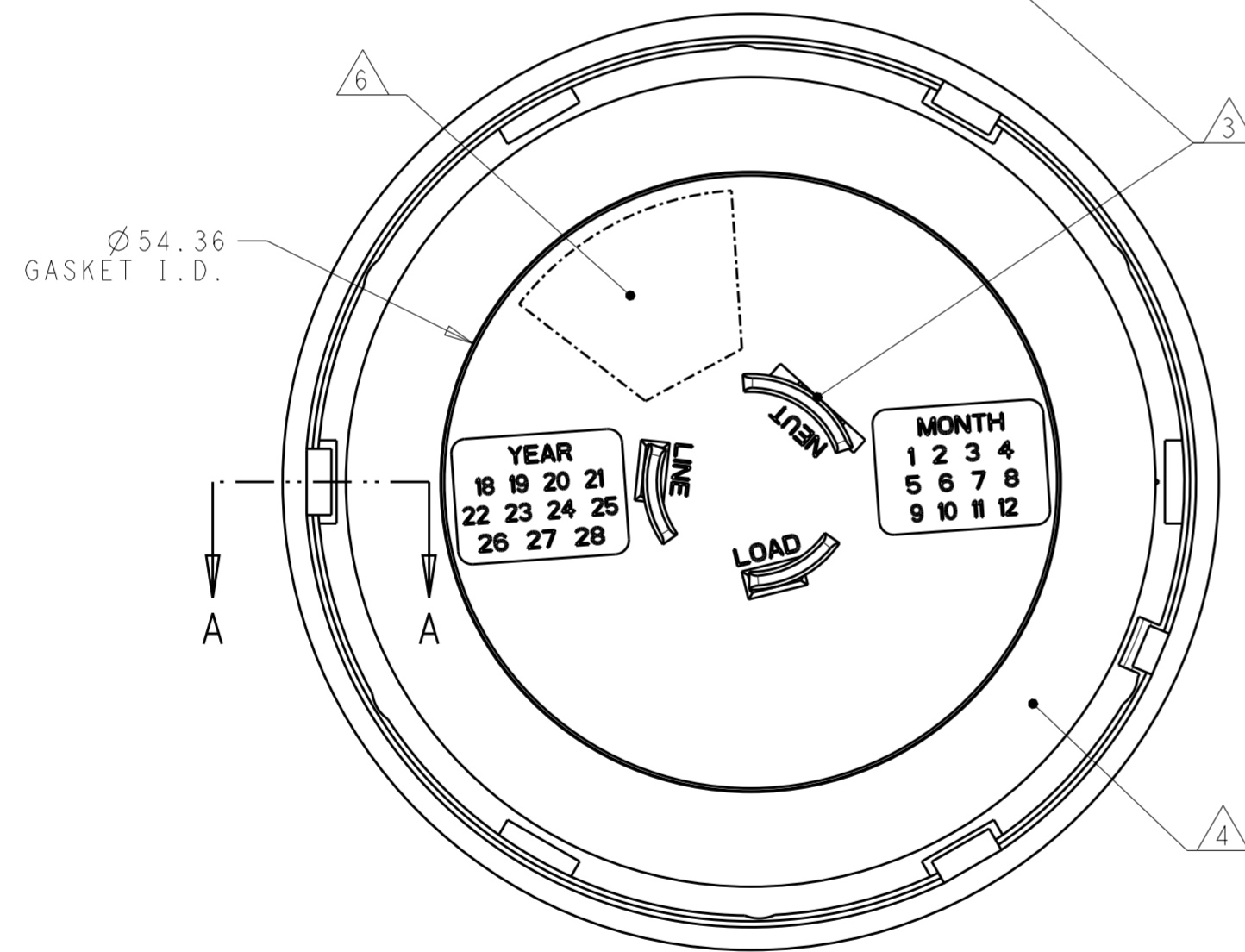


THIS DRAWING IS UNPUBLISHED. RELEASED FOR PUBLICATION  
 © COPYRIGHT copyright.d8te- ALL RIGHTS RESERVED.

REVISIONS					
P	LTR	DESCRIPTION	DATE	DWN	APVD
A		RELEASE PER ECR-19-000700	16JAN2019	JS	DD
A1		REVISED PER ECR-19-003367	05MAR2019	SR	DD
A2		REVISED PER ECR-19-008525	31MAY2019	SR	DD
A3		REVISED PER ECR-20-002559	26FEB2020	SB	DD



SECTION A - A



- 1 MATERIALS:  
 HOUSING: PBT  
 LINE VOLTAGE CONTACTS: COPPER ALLOY  
 SHORTING CLIP: COPPER ALLOY  
 GASKET: NBR/PVC BLEND  
 O-RING: SILICONE RUBBER  
 COVER: PBT, UL UV-f1 RATED
- 2 FINISH:  
 LINE VOLTAGE CONTACTS: MATTE TIN PLATE
- 3 MATING INTERFACE PER ANSI C136.10.
- 4 ADHESIVE BACKED GASKET APPLIED
- 5. THIS PRODUCT HAS NOT COMPLETED VALIDATION TESTING.
- 6 PRODUCT INFORMATION LABEL
- 7 157 JOULE MOV WITH A MAX SURGE CURRENT OF 4500A AND A MAX CLAMPING VOLTAGE OF 1355V.



TOP VIEW FOR REFERENCE

CAP COLOR	DESCRIPTION	PART NO.
RED	OPEN	2328118-3
BLACK	SHORTING AND SURGE PROTECTION	2328118-2
BLACK	SHORTING	2328118-1

THIS DRAWING IS A CONTROLLED DOCUMENT.		DWN C. DAILY 23 JAN 2018	<b>STE</b> TE Connectivity	
		CHK M. STOLLER 23 JAN 2018		
DIMENSIONS: mm	TOLERANCES UNLESS OTHERWISE SPECIFIED:	APVD -	NAME ASSEMBLY, LUMAWISE SHORTING CAP	
	0 PLC ± 1 PLC ±0.2 2 PLC ±0.13 3 PLC ± 4 PLC ±	PRODUCT SPEC 108-133113	SIZE A2	
MATERIAL SEE TABLE	ANGLES ±1° FINISH -	APPLICATION SPEC 408-133113	CAGE CODE A200779	DRAWING NO C-2328118
		WEIGHT -	RESTRICTED TO -	
		CUSTOMER DRAWING	SCALE 7:4	SHEET 1 OF 1
				REV A3

## X-ON Electronics

Largest Supplier of Electrical and Electronic Components

*Click to view similar products for [LED Lighting Mounting Accessories](#) category:*

*Click to view products by [TE Connectivity](#) manufacturer:*

Other Similar products are found below :

[C16142\\_HEKLA-SOCKET-K](#) [3SU1401-1BG20-1AA0](#) [3SU1900-0BC31-0NB0](#) [ES16-RT](#) [1SFA616921R2042](#) [1SFA616921R2131](#)  
[1SFA616921R2133](#) [1SFA616921R2143](#) [1SFA611621R1093](#) [B8910020](#) [D3980022](#) [E3990022](#) [E3990040](#) [CABI12 E BK 1M SET PRM](#)  
[FLAT8 H/U BK 1M SET PRM](#) [BEGTIN12 J/S BK 1M SET PRM](#) [1-2213678-6](#) [C16791\\_CLAMP-Z45-A](#) [F17250\\_SOLDER-CLIP-A](#) [CM22-](#)  
[4-20MA](#) [CM22-R10K-MT](#) [CM22-R1K](#) [CM22-R50K](#) [CM22-R5K-MT](#) [CM22-SLR](#) [10465](#) [M22-A](#) [M22-CK11](#) [M22-CK20](#) [M22G-XGPV](#)  
[M22-K01](#) [M22-LCH-W](#) [M22-LC-R](#) [M22-LED230-R](#) [M22-LED230-W](#) [M22-LEDC230-G](#) [M22-LEDC-G](#) [M22-LEDC-W](#) [M22-LED-G](#)  
[M22-LED-W](#) [M22-L-G](#) [M22-LH-G](#) [M22-LH-R](#) [M22-LH-W](#) [M22-L-R](#) [M22-L-W](#) [M22-L-X](#) [M22-MS](#) [M22-R10K](#) [M22-R1K](#)