

© - TE Connectivity. All Rights Reserved.

REVISIONS

P	LTR	DESCRIPTION	DATE	DWN	APVD
6	ECR-21-113847		15SEP2021	E.Z	N.S

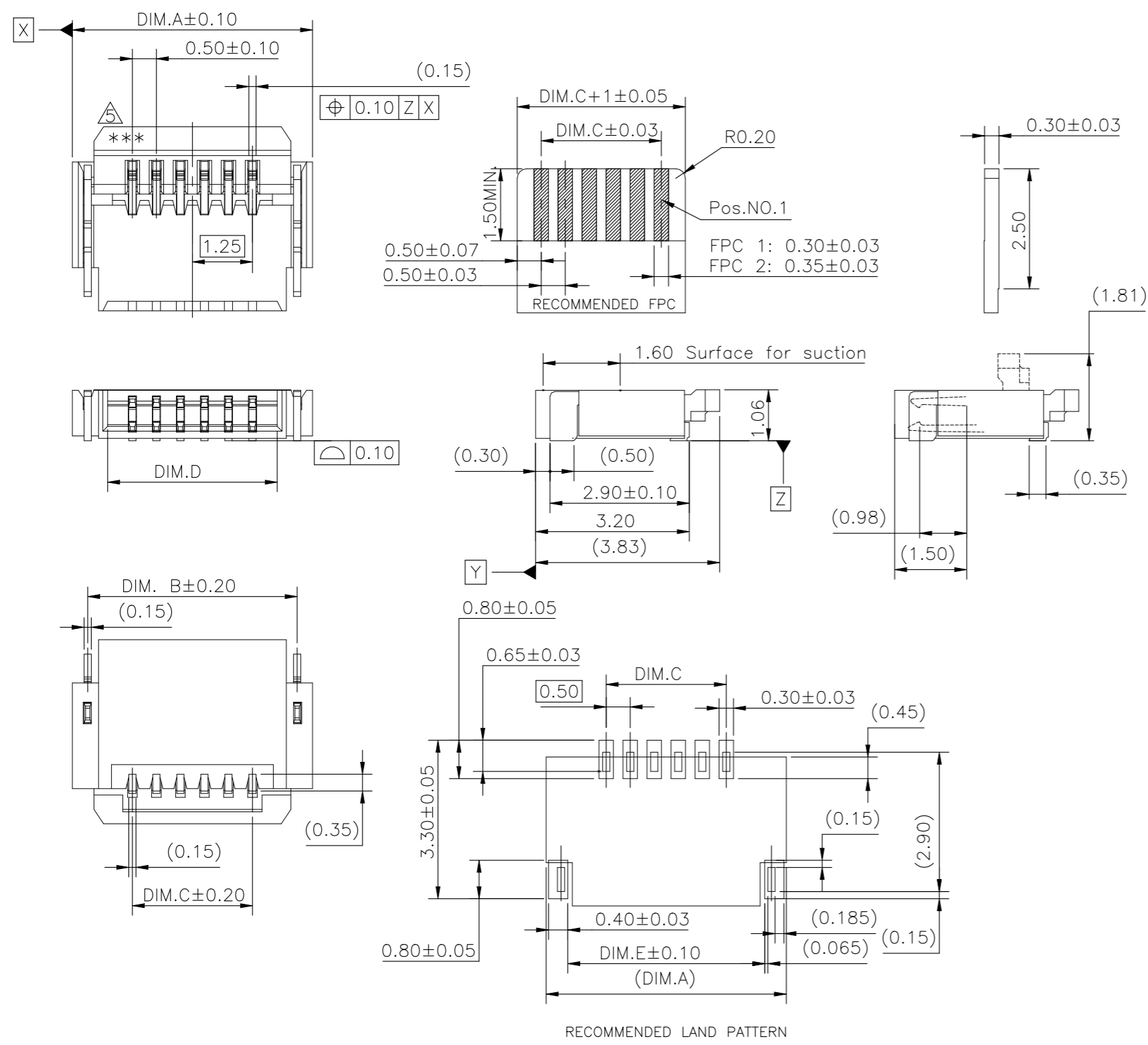
NOTES:

- MATERIAL:
 - HOUSING: HIGH TEMPERATURE THERMOPLASTIC UL94V-0, COLOR: NATURAL. AND COLOR BLACK IS FOR 8-2328702-8 AND 9-2328702-8.
 - ACTUATOR: HIGH TEMPERATURE THERMOPLASTIC UL94V-0, COLOR: BLACK. AND COLOR NATURAL IS FOR 8-2328702-8, COLOR BLUE IS FOR 9-2328702-8.
 - CONTACT: COPPER ALLOY.
 - FITTING NAIL: STAINLESS STEEL.
- FINISH:
 - CONTACT: GOLD FLASH ON CONTACT AREA. AND SOLDER TAILS. 50u" MIN. NICKEL UNDERPLATING OVERALL.
 - FITTING NAIL: TIN PLATING ON SOLDER TAILS. 50u" MIN. NICKEL UNDERPLATING OVERALL.
- SPECIFICATION:

VOLTAGE: 50V AC/DC
 CURRENT RATING: 0.5 AMPERE
 CONTACT RESISTANCE: INITIAL 50 mOHMS MAX. AFTER TEST Δ30 mOHMS MAX.
 DIELECTRIC WITHSTANGDING VOLTAGE: 250V AC/1 MINUTE;
 INSULATION RESISTANCE: 500M OHMS MIN.
 FFC/FPC WITHDRAWL FORCE: 0.20N PER CONTACT MIN;
 FFC/FPC THICKNESS: 0.30+/-0.03mm.
- THE PRODUCT IS RoHS AND HF COMPLIANT.

⚠ PIN NO.

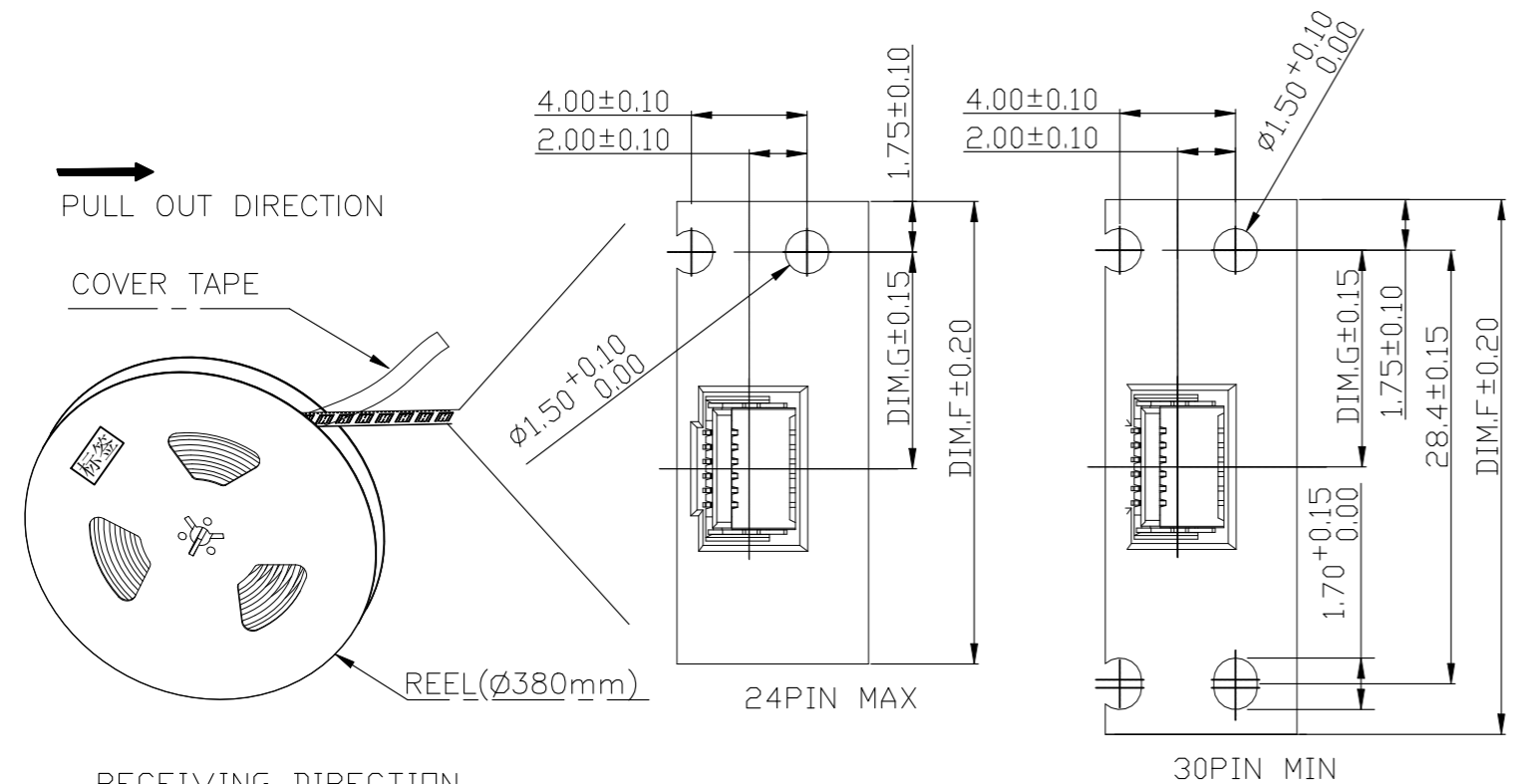
PRELIMINARY PART NO.	8	5.10	4.53	3.50	5.38	6.00	9-2328702-8
	8	5.10	4.53	3.50	5.38	6.00	8-2328702-8
	30	16.10	15.53	14.50	16.38	17.00	3-2328702-0
	24	13.10	12.53	11.50	13.38	14.00	2-2328702-4
	16	9.10	8.53	7.50	9.38	10.00	1-2328702-6
	10	6.10	5.53	4.50	6.38	7.00	1-2328702-0
	8	5.10	4.53	3.50	5.38	6.00	2328702-8
	6	4.10	3.53	2.50	4.38	5.00	2328702-6
	4	3.10	2.53	1.50	3.38	4.00	2328702-4
PIN NO.	DIM.E	DIM.D	DIM.C	DIM.B	DIM.A		PART NO.



THIS DRAWING IS A CONTROLLED DOCUMENT.		DWN	ELIANA ZHANG 20171228		STE TE Connectivity Ltd.		
		CHK	WENKE HE 20171228				
		APVD	WENKE HE 20171228		NAME		
		PRODUCT SPEC		0.5 PITCH FPC CONNECTOR BACK FLIP			
		APPLICATION SPEC		108-115142			
		SIZE	CAGE CODE	DRAWING NO	RESTRICTED TO		
		WEIGHT	SEE TABLE	A3	00779	C-2328702	-
		CUSTOMER DRAWING		SCALE	1:1	SHEET	1 OF 2
						REV	6

REVISIONS

P	LTR	DESCRIPTION	DATE	DWN	APVD
-	-	SEE SHEET 1	-	-	-



- NOTES: (APPLIED TO CURRENT SHEET)
1. THE DIRECTION OF EACH CONNECTOR ON A EMBOSS IS REFERRED TO THIS DRAWING.
 2. PACKAGED IN EMBOSS TAPE AND PLASTIC RELL 4000 PCS PER RELL.
 3. WINDING THE COVER TAPE AROUND THE OUTER PERIPHERY IN A TURN.

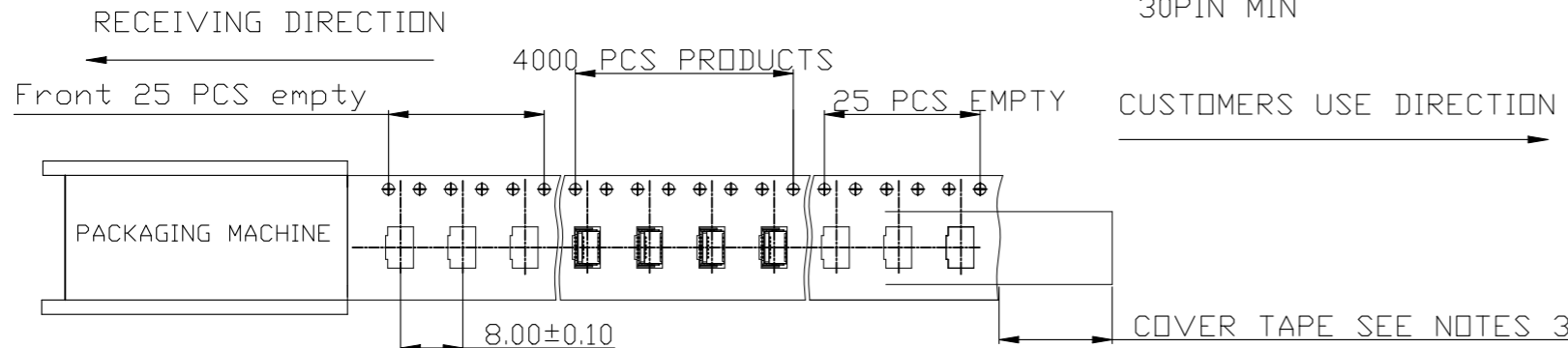
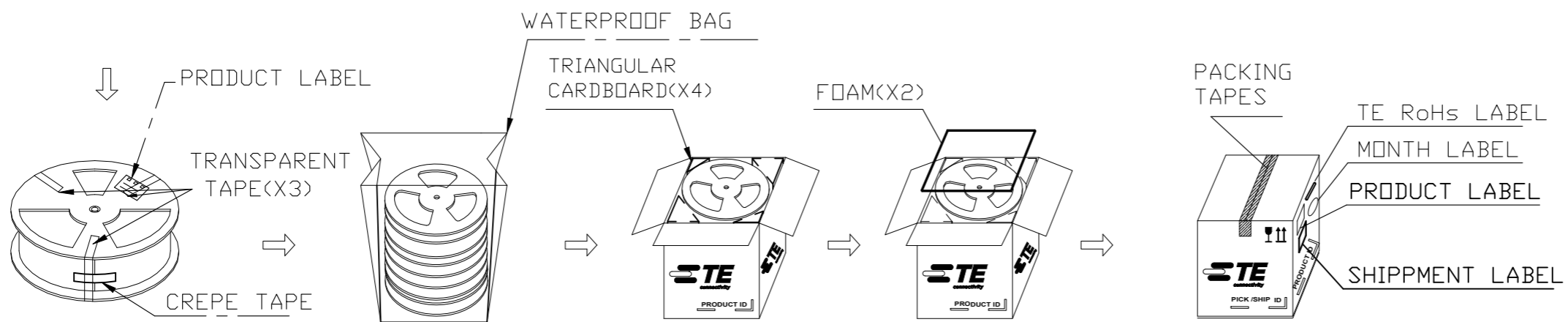


TABLE A

P/N	PIN NO.	Amount of packing			Weight of packing			DIM F	DIM G
		Pcs/ Reel	Reel/ Carton	PCS/ Carton	Unit weight (g)	Net weight (kg)	GW (kg)		
3-2328702-0	30	4,000	4	16,000	0.0848	1.357	5.421	32.00	14.20
2-2328702-4	24	4,000	5	20,000	0.0827	1.654	5.735	24.00	11.50
1-2328702-6	16	4,000	5	20,000	0.0615	1.230	5.311	16.00	7.50
1-2328702-0	10	4,000	7	28,000	0.0405	1.134	5.275		
2328702-8	8	4,000	7	28,000	0.0335	0.938	5.06		
8-2328702-8	8	4,000	7	28,000	0.0335	0.938	5.06		
9-2328702-8	8	4,000	7	28,000	0.0335	0.938	5.06		
2328702-6	6	4,000	7	28,000	0.0280	0.611	4.845		
2328702-4	4	4,000	7	28,000	0.0218	1.654	4.675		



THIS DRAWING IS A CONTROLLED DOCUMENT.

DIMENSIONS: mm	TOLERANCES UNLESS OTHERWISE SPECIFIED:	DWN ELIANA ZHANG 28DEC2017	TE Connectivity Ltd. 0.5 PITCH FPC CONNECTOR BACK FLIP
	0 PLC ± 0.40	CHK WENKE HE 20171228	
	1 PLC ± 0.25	APVD WENKE HE 20171228	
	2 PLC ± 0.15	NAME	
	3 PLC ± 0.10	PRODUCT SPEC	108-115142
	4 PLC ± -	APPLICATION SPEC	
	ANGLES ± -		SIZE CAGE CODE DRAWING NO RESTRICTED TO
MATERIAL	FINISH	WEIGHT	A3 00779 C-2328702
		CUSTOMER DRAWING	SCALE 1:1 SHEET 2 OF 2 REV 6

X-ON Electronics

Largest Supplier of Electrical and Electronic Components

Click to view similar products for [FFC & FPC Connectors](#) category:

Click to view products by [TE Connectivity](#) manufacturer:

Other Similar products are found below :

[FPH-1422G](#) [FPH-1602G](#) [K-FC20](#) [FH29B-80S-0.2SHW\(99\)](#) [FPH-2022G](#) [AYF332735](#) [52610-1075](#) [52610-1275](#) [52610-1934](#) [501864-3091-TR225](#) [086222026001800](#) [52610-0675](#) [62684-36210E9ALF](#) [52746-1671-TR250](#) [10051922-2810EHLF](#) [6-520415-9](#) [SFV6R-1STE9HLF](#) [XF3M-2915-1B-R100](#) [1658549-1](#) [AYF534065TA](#) [AYF351525](#) [086212040340800+](#) [AYF530365TA](#) [67000-014LF](#) [67000-004LF](#) [006207341915000+](#) [DS1020-19RT1D](#) [67000-003LF](#) [67000-011LF](#) [67000-016LF](#) [HFW14R-2STE9LF](#) [SFV32R-2STBE9HLF](#) [SFW12R-5STE9LF](#) [SFW18R-1STAE9LF](#) [SFW4R-5STE9LF](#) [52807-0430](#) [046283021002868+](#) [THD1015-8CL-SN](#) [67000-006LF](#) [502250-8027](#) [104267-9617](#) [66987-011LF](#) [AYF362535](#) [F0501-T-50-20T-R](#) [F1003-ZV-12-25T-R](#) [HFW8S-2STAE1HLF](#) [67000-008LF](#) [67000-012LF](#) [F1002-B-20-20T-R](#) [HFW15S-2STAE1HLF](#)