

REVISIONS

| P | LTR           | DESCRIPTION | DATE      | DWN | APVD |
|---|---------------|-------------|-----------|-----|------|
| 6 | ECR-21-113847 |             | 15SEP2021 | E.Z | N.S  |

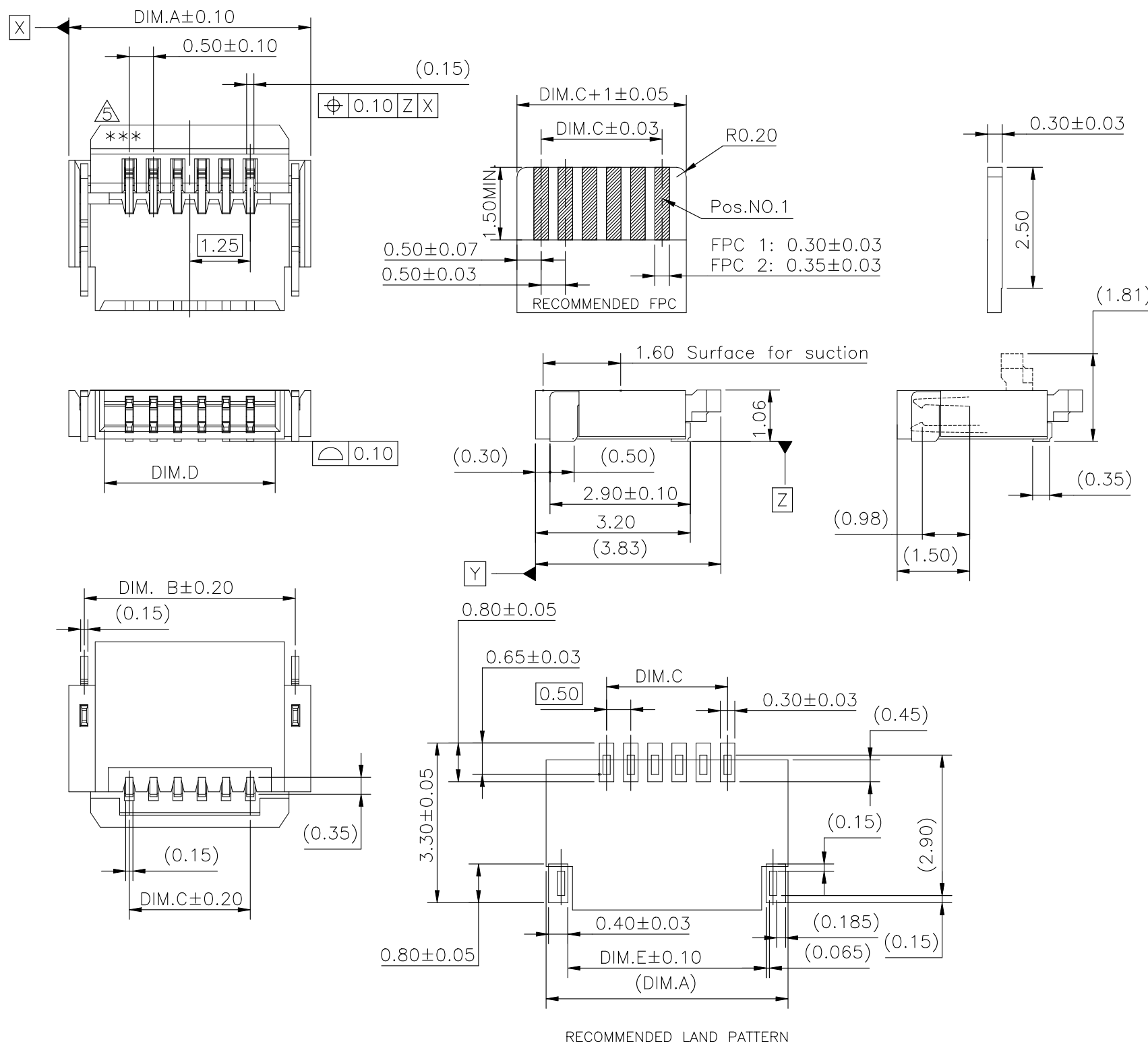
NOTES:

- MATERIAL:
  - HOUSING: HIGH TEMPERATURE THERMOPLASTIC UL94V-0, COLOR: NATURAL. AND COLOR BLACK IS FOR 8-2328702-8 AND 9-2328702-8.
  - ACTUATOR: HIGH TEMPERATURE THERMOPLASTIC UL94V-0, COLOR: BLACK. AND COLOR NATURAL IS FOR 8-2328702-8, COLOR BLUE IS FOR 9-2328702-8.
  - CONTACT: COPPER ALLOY.
  - FITTING NAIL: STAINLESS STEEL.
- FINISH:
  - CONTACT: GOLD FLASH ON CONTACT AREA. AND SOLDER TAILS. 50u" MIN. NICKEL UNDERPLATING OVERALL.
  - FITTING NAIL: TIN PLATING ON SOLDER TAILS. 50u" MIN. NICKEL UNDERPLATING OVERALL.
- SPECIFICATION:
 

VOLTAGE: 50V AC/DC  
 CURRENT RATING: 0.5 AMPERE  
 CONTACT RESISTANCE: INITIAL 50 mOHMS MAX. AFTER TEST Δ30 mOHMS MAX.  
 DIELECTRIC WITHSTANGDING VOLTAGE: 250V AC/1 MINUTE;  
 INSULATION RESISTANCE: 500M OHMS MIN.  
 FFC/FPC WITHDRAWL FORCE: 0.20N PER CONTACT MIN;  
 FFC/FPC THICKNESS: 0.30+/-0.03mm.
- THE PRODUCT IS RoHS AND HF COMPLIANT.

△ PIN NO.

| PRELIMINARY PART NO. | 8     | 5.10  | 4.53  | 3.50  | 5.38  | 6.00  | 9-2328702-8 |
|----------------------|-------|-------|-------|-------|-------|-------|-------------|
|                      | 8     | 5.10  | 4.53  | 3.50  | 5.38  | 6.00  | 8-2328702-8 |
|                      | 30    | 16.10 | 15.53 | 14.50 | 16.38 | 17.00 | 3-2328702-0 |
|                      | 24    | 13.10 | 12.53 | 11.50 | 13.38 | 14.00 | 2-2328702-4 |
|                      | 16    | 9.10  | 8.53  | 7.50  | 9.38  | 10.00 | 1-2328702-6 |
|                      | 10    | 6.10  | 5.53  | 4.50  | 6.38  | 7.00  | 1-2328702-0 |
|                      | 8     | 5.10  | 4.53  | 3.50  | 5.38  | 6.00  | 2328702-8   |
|                      | 6     | 4.10  | 3.53  | 2.50  | 4.38  | 5.00  | 2328702-6   |
|                      | 4     | 3.10  | 2.53  | 1.50  | 3.38  | 4.00  | 2328702-4   |
| PIN NO.              | DIM.E | DIM.D | DIM.C | DIM.B | DIM.A |       | PART NO.    |



THIS DRAWING IS A CONTROLLED DOCUMENT.

DWN ELIANA ZHANG 20171228

CHK WENKE HE 20171228

APVD WENKE HE 20171228

PRODUCT SPEC

108-115142

APPLICATION SPEC

WEIGHT SEE TABLE

CUSTOMER DRAWING

| DIMENSIONS: | TOLERANCES UNLESS OTHERWISE SPECIFIED: |
|-------------|--|
| mm          |  |
| 0 PLC       | ± 0.40                                 |
| 1 PLC       | ± 0.25                                 |
| 2 PLC       | ± 0.15                                 |
| 3 PLC       | ± 0.10                                 |
| 4 PLC       | ± -                                    |
| ANGLES      | ± -                                    |
| FINISH      | -                                      |

MATERIAL -

FINISH -



NAME 0.5 PITCH FPC CONNECTOR BACK FLIP

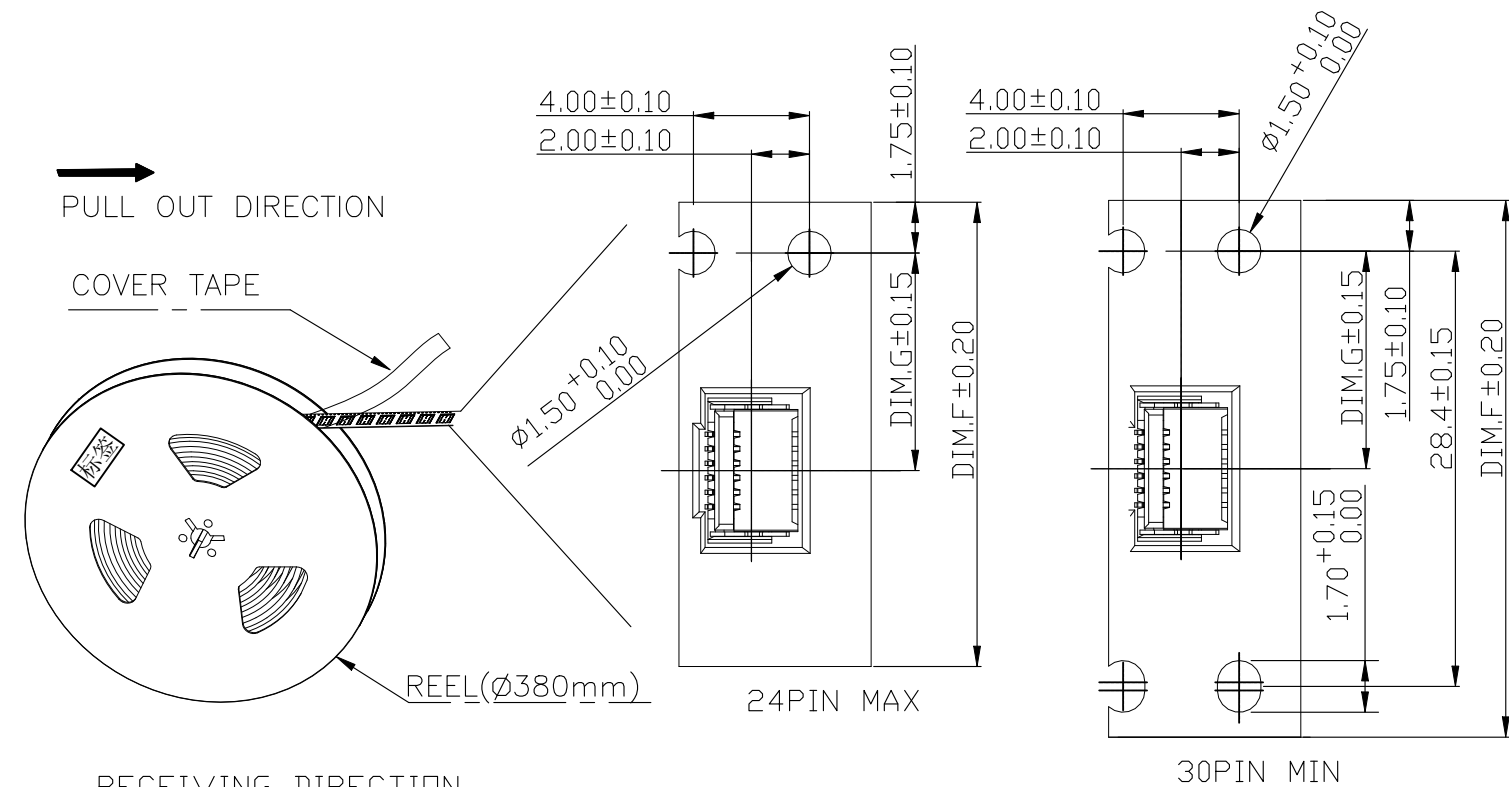
SIZE CAGE CODE DRAWING NO RESTRICTED TO

A3 00779 C-2328702

SCALE 1:1 SHEET 1 OF 2 REV 6

REVISIONS

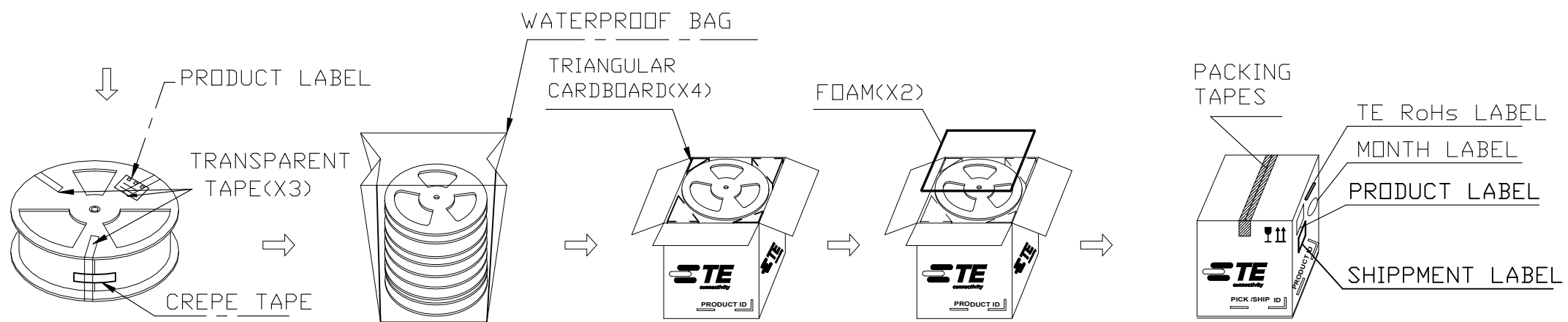
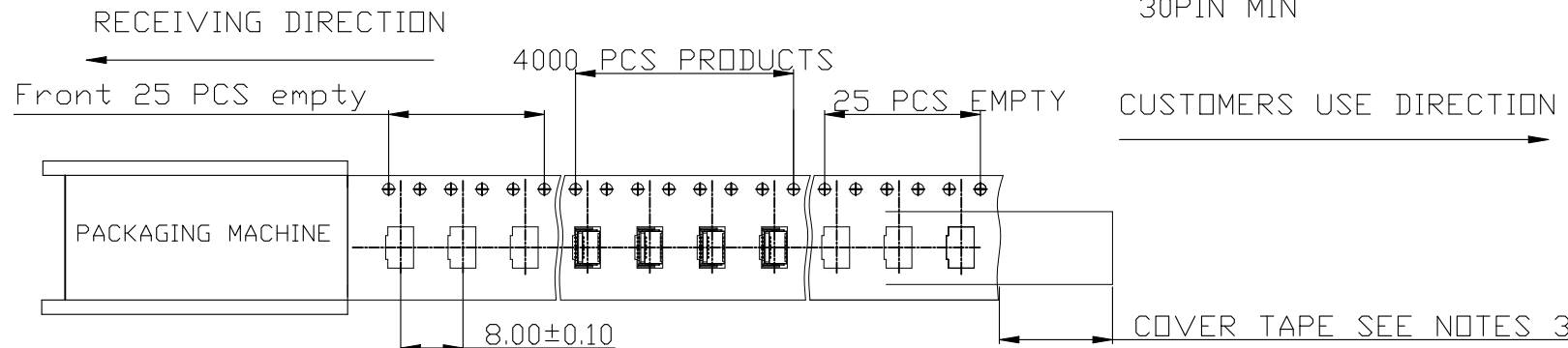
| P | LTR | DESCRIPTION | DATE | DWN | APVD |
|---|-----|-------------|------|-----|------|
| - | -   | SEE SHEET 1 | -    | -   | -    |



- NOTES: (APPLIED TO CURRENT SHEET)
1. THE DIRECTION OF EACH CONNECTOR ON A EMBOSS IS REFERRED TO THIS DRAWING.
  2. PACKAGED IN EMBOSS TAPE AND PLASTIC RELL 4000 PCS PER RELL.
  3. WINDING THE COVER TAPE AROUND THE OUTER PERIPHERY IN A TURN.

TABLE A

| P/N         | PIN NO. | Amount of packing |              |             | Weight of packing |                 |         | DIM F | DIM G |
|-------------|---------|-------------------|--------------|-------------|-------------------|-----------------|---------|-------|-------|
|             |         | Pcs/ Reel         | Reel/ Carton | PCS/ Carton | Unit weight (g)   | Net weight (kg) | GW (kg) |       |       |
| 3-2328702-0 | 30      | 4,000             | 4            | 16,000      | 0.0848            | 1.357           | 5.421   | 32.00 | 14.20 |
| 2-2328702-4 | 24      | 4,000             | 5            | 20,000      | 0.0827            | 1.654           | 5.735   | 24.00 | 11.50 |
| 1-2328702-6 | 16      | 4,000             | 5            | 20,000      | 0.0615            | 1.230           | 5.311   | 16.00 | 7.50  |
| 1-2328702-0 | 10      | 4,000             | 7            | 28,000      | 0.0405            | 1.134           | 5.275   |       |       |
| 2328702-8   | 8       | 4,000             | 7            | 28,000      | 0.0335            | 0.938           | 5.06    |       |       |
| 8-2328702-8 | 8       | 4,000             | 7            | 28,000      | 0.0335            | 0.938           | 5.06    |       |       |
| 9-2328702-8 | 8       | 4,000             | 7            | 28,000      | 0.0335            | 0.938           | 5.06    |       |       |
| 2328702-6   | 6       | 4,000             | 7            | 28,000      | 0.0280            | 0.611           | 4.845   |       |       |
| 2328702-4   | 4       | 4,000             | 7            | 28,000      | 0.0218            | 1.654           | 4.675   |       |       |



THIS DRAWING IS A CONTROLLED DOCUMENT.

| DIMENSIONS: | TOLERANCES UNLESS OTHERWISE SPECIFIED: |
|-------------|--|
| mm          |  |
| 0 PLC       | ± 0.40                                 |
| 1 PLC       | ± 0.25                                 |
| 2 PLC       | ± 0.15                                 |
| 3 PLC       | ± 0.10                                 |
| 4 PLC       | ± -                                    |
| ANGLES      | ± -                                    |

|          |        |
|----------|--------|
| MATERIAL | FINISH |
| -        | -      |

|                  |            |
|------------------|------------|
| DWN              | 28DEC2017  |
| ELIANA ZHANG     |            |
| CHK              | 20171228   |
| WENKE HE         |            |
| APVD             | 20171228   |
| WENKE HE         |            |
| PRODUCT SPEC     | 108-115142 |
| APPLICATION SPEC | -          |
| WEIGHT           | SEE TABLE  |

**STE** TE Connectivity Ltd.

0.5 PITCH FPC CONNECTOR  
BACK FLIP

|      |           |            |               |
|------|-----------|------------|---------------|
| SIZE | CAGE CODE | DRAWING NO | RESTRICTED TO |
| A3   | 00779     | C-2328702  | -             |

CUSTOMER DRAWING SCALE 1:1 SHEET 2 OF 2 REV 6

## X-ON Electronics

Largest Supplier of Electrical and Electronic Components

*Click to view similar products for [FFC & FPC Connectors](#) category:*

*Click to view products by [TE Connectivity](#) manufacturer:*

Other Similar products are found below :

[FPH-1422G](#) [FPH-1602G](#) [K-FC20](#) [FH29B-80S-0.2SHW\(99\)](#) [FPH-2022G](#) [AYF332735](#) [52610-1075](#) [52610-1275](#) [52610-1934](#) [501864-3091-TR225](#) [086222026001800](#) [52610-0675](#) [62684-36210E9ALF](#) [52746-1671-TR250](#) [10051922-2810EHLF](#) [6-520415-9](#) [SFV6R-1STE9HLF](#) [XF3M-2915-1B-R100](#) [1658549-1](#) [AYF534065TA](#) [AYF351525](#) [086212040340800+](#) [AYF530365TA](#) [67000-014LF](#) [67000-004LF](#) [006207341915000+](#) [DS1020-19RT1D](#) [67000-003LF](#) [67000-011LF](#) [67000-016LF](#) [HFW14R-2STE9LF](#) [SFV32R-2STBE9HLF](#) [SFW12R-5STE9LF](#) [SFW18R-1STAE9LF](#) [SFW4R-5STE9LF](#) [52807-0430](#) [046283021002868+](#) [THD1015-8CL-SN](#) [67000-006LF](#) [502250-8027](#) [104267-9617](#) [66987-011LF](#) [AYF362535](#) [F0501-T-50-20T-R](#) [F1003-ZV-12-25T-R](#) [HFW8S-2STAE1HLF](#) [67000-008LF](#) [67000-012LF](#) [ECC576069EU](#) [F1002-B-20-20T-R](#)