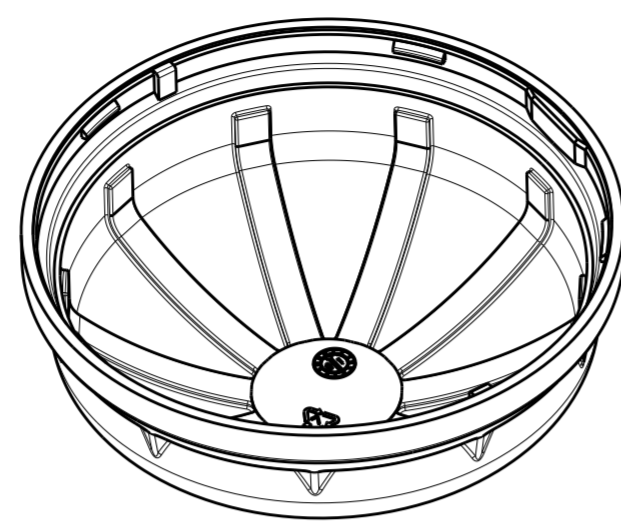
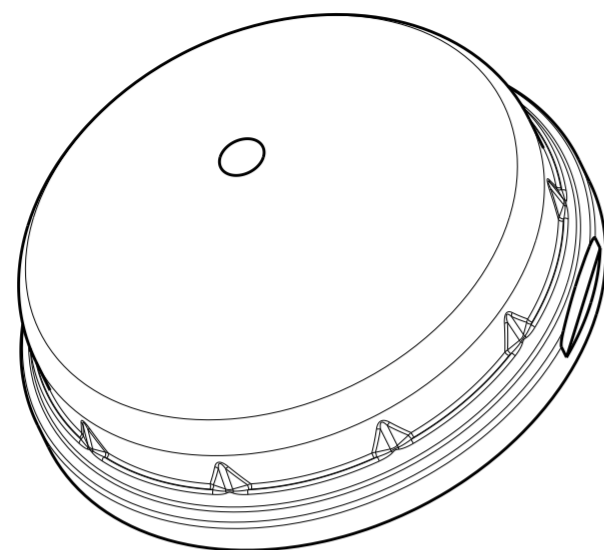
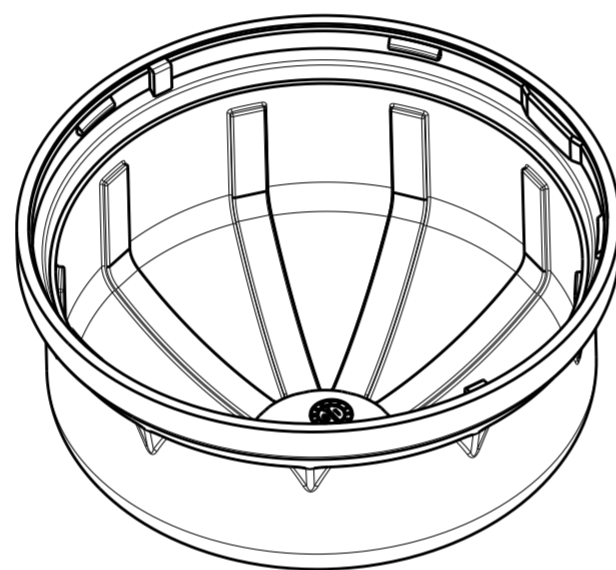
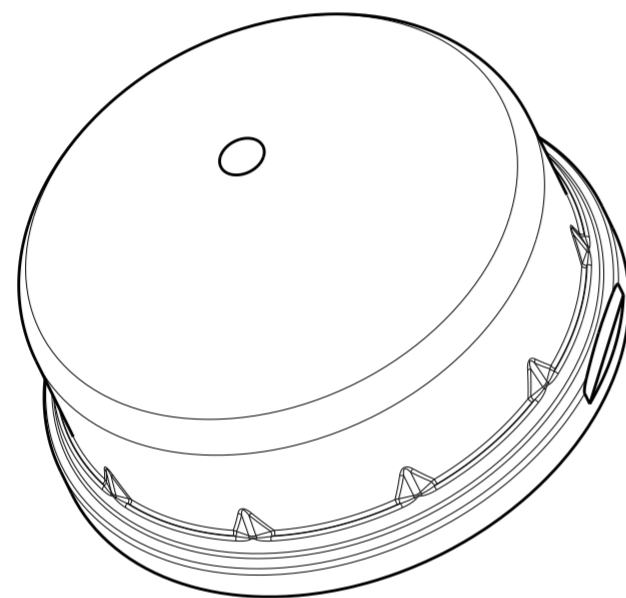


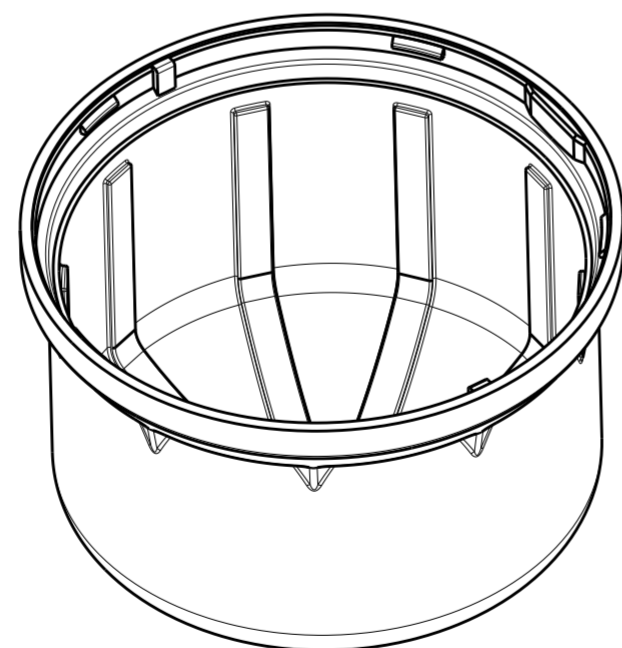
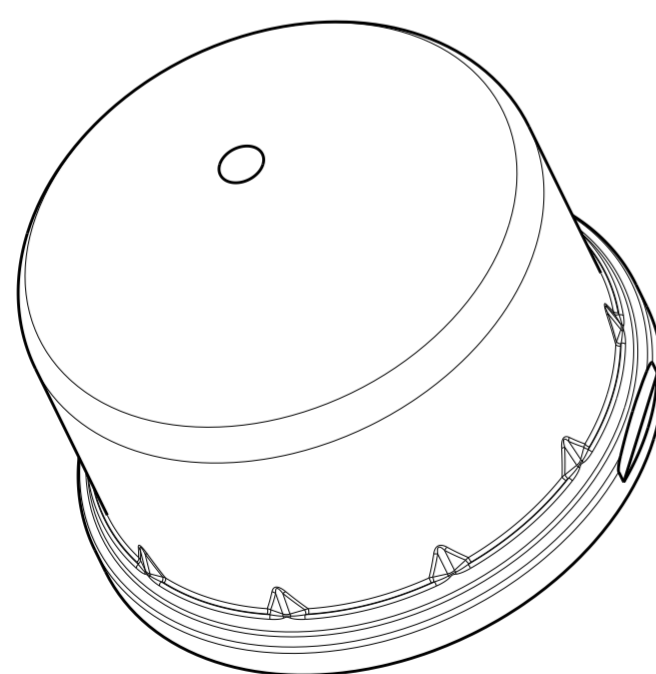
P	LTR	DESCRIPTION	DATE	DWN	APVD
A		REVISED PER ECR-18-017862	22NOV2018	SR	DD
B		REVISED PER ECR-19-008311	06JUN2019	SR	DD
B1		REVISED PER ECR-19-015297	01OCT2019	SB	DD
B2		REVISED PER ECR-20-007067	24JUN2020	SB	DD



2328823-1 AND 1-2328823-1
SHOWN



2328823-2 AND 1-2328823-2
SHOWN



2328823-3 AND 1-2328823-3
SHOWN

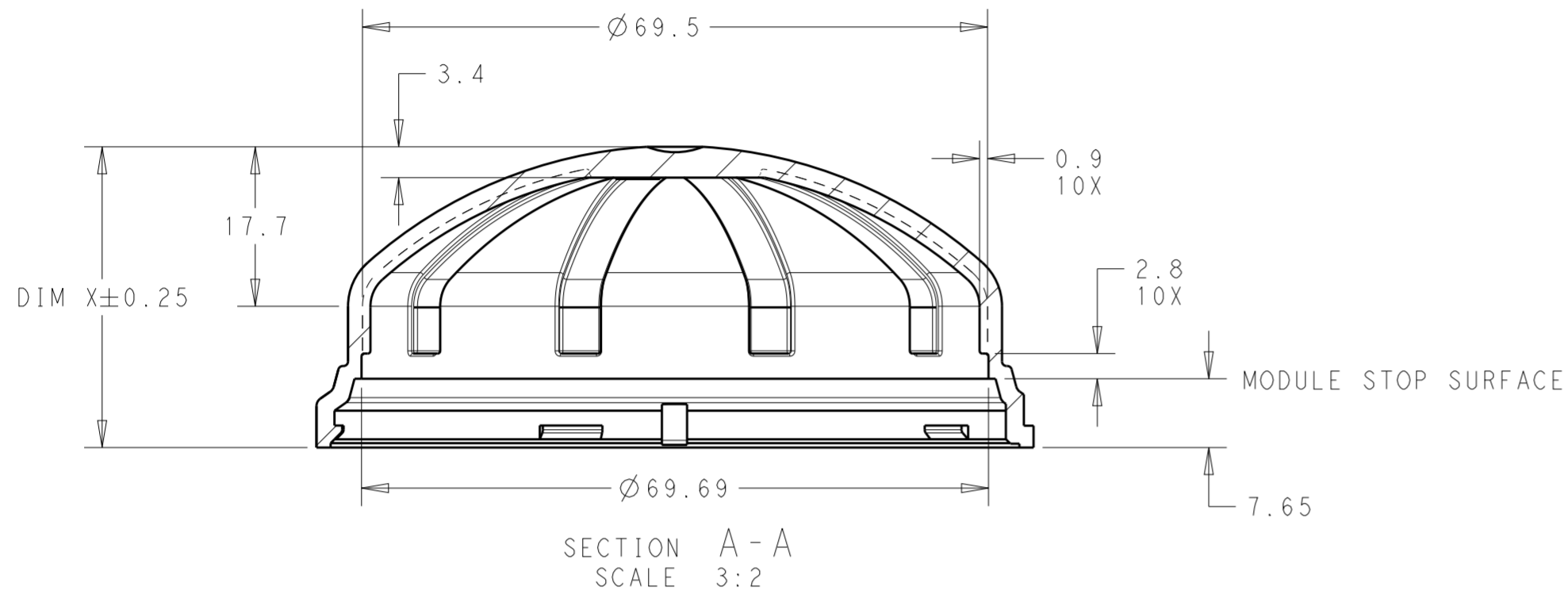
NOTES:

- 1. MATERIAL:
- POLYCARBONATE COLOR: SEE TABLE
- 2. MUST COMPLY WITH DIRECTIVE 2002/95/EC (ROHS)
- 3. MODULE BASE TE P/N: 2213831-1
- 4. PACKAGED 24 PER PLASTIC TRAY
DIM X = 33.43 AND 43.43 - 7 TRAYS PER BOX
DIM X = 58.43 - 5 TRAYS PER BOX

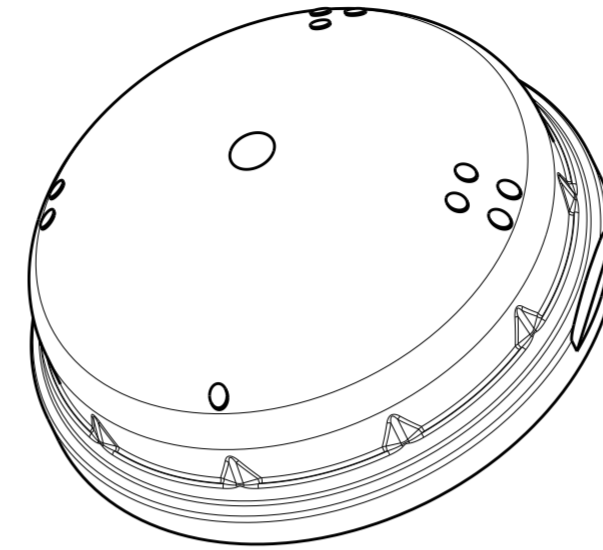
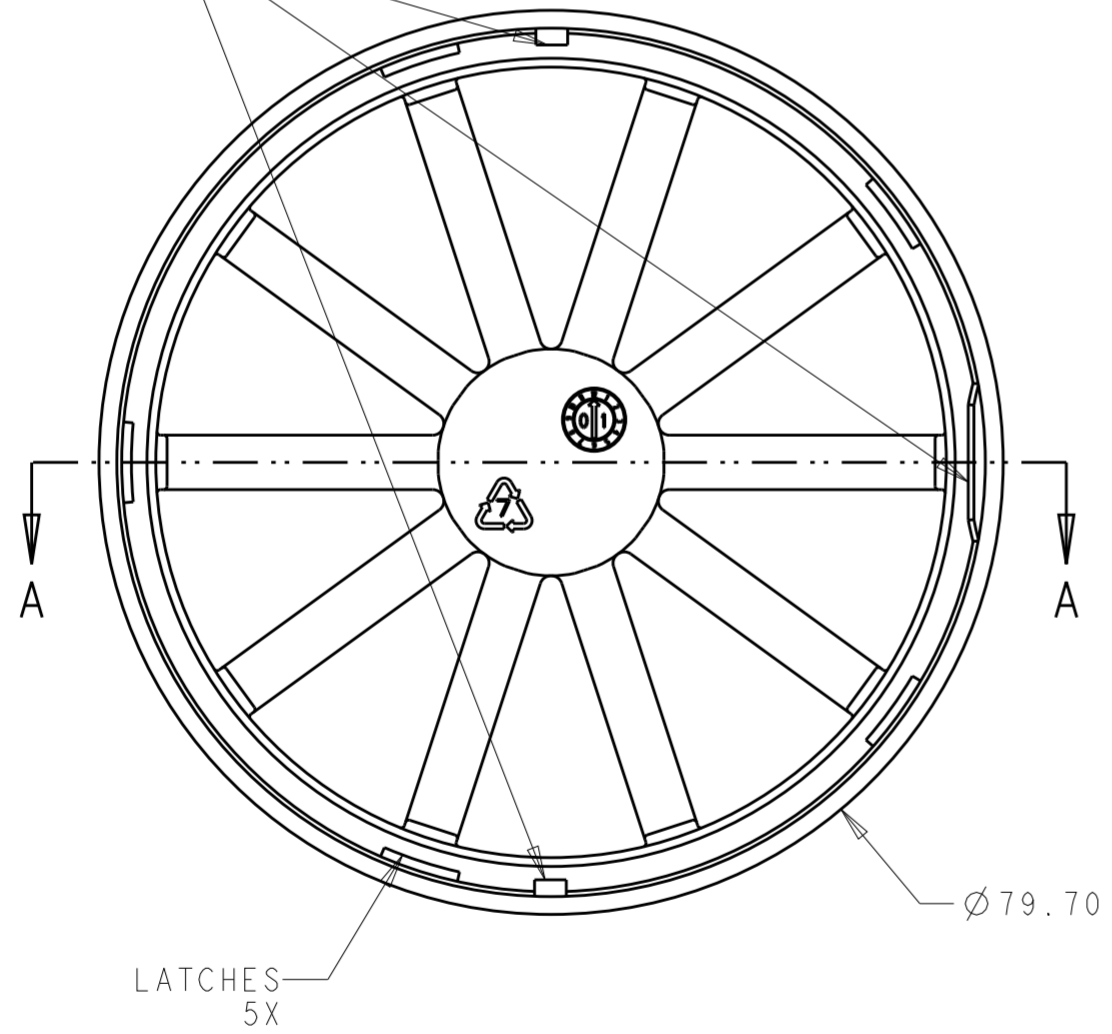
IDENTIFICATION MARKINGS	APPROX. LIGHT TRANSMISSION	COLOR	DIM X	PART NO.
NO	26%	TRANSLUCENT GRAY	58.43	4-2328823-3
NO	26%	TRANSLUCENT GRAY	43.43	4-2328823-2
NO	26%	TRANSLUCENT GRAY	33.43	4-2328823-1
YES	78%	TRANSPARENT CLEAR	58.43	3-2328823-3
YES	78%	TRANSPARENT CLEAR	43.43	3-2328823-2
YES	78%	TRANSPARENT CLEAR	33.43	3-2328823-1
YES	24%	TRANSPARENT SMOKE	58.43	2-2328823-3
YES	24%	TRANSPARENT SMOKE	43.43	2-2328823-2
YES	24%	TRANSPARENT SMOKE	33.43	2-2328823-1
NO	78%	TRANSPARENT CLEAR	58.43	1-2328823-3
NO	78%	TRANSPARENT CLEAR	43.43	1-2328823-2
NO	78%	TRANSPARENT CLEAR	33.43	1-2328823-1
NO	24%	TRANSPARENT SMOKE	58.43	2328823-3
NO	24%	TRANSPARENT SMOKE	43.43	2328823-2
NO	24%	TRANSPARENT SMOKE	33.43	2328823-1

THIS DRAWING IS A CONTROLLED DOCUMENT.		DWN C. DAILY 10 JAN 2018	TE Connectivity	
		CHK M. STOLLER 10 JAN 2018		
DIMENSIONS: mm		APVD -	NAME DOME, LUMAWISE ENDURANCE S, 80mm	
TOLERANCES UNLESS OTHERWISE SPECIFIED: 0 PLC ± 1 PLC ±0.2 2 PLC ±0.10 3 PLC ± 4 PLC ± ANGLES ±1° FINISH -		PRODUCT SPEC 108-133073	RESTRICTED TO	
MATERIAL SEE TABLE		APPLICATION SPEC 114-133074	SIZE A200779	DRAWING NO C-2328823
		WEIGHT -	SCALE 1:1	SHEET 1 OF 2
		CUSTOMER DRAWING	REV B2	

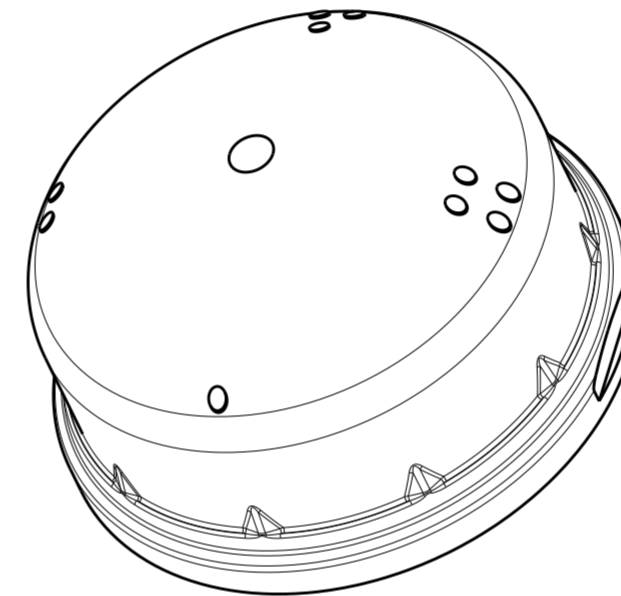
P	LTR	DESCRIPTION	DATE	DWN	APVD
-	-	SEE SHEET 1	-	-	-



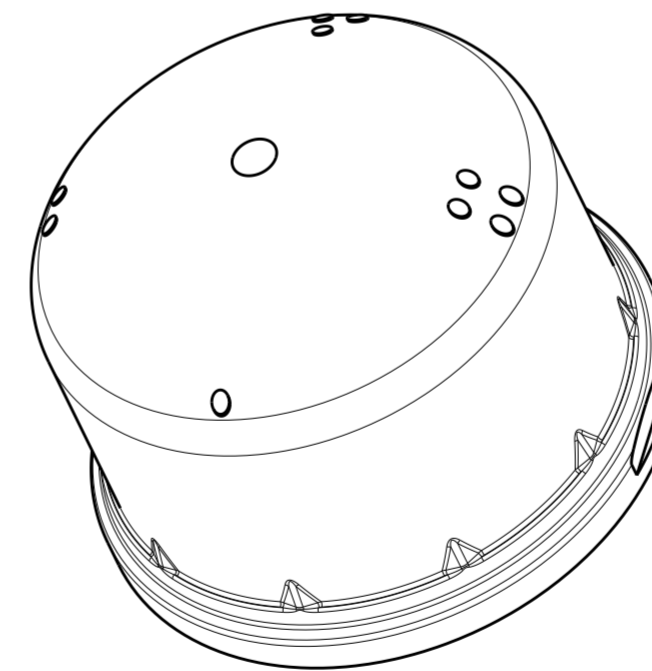
POLARIZATION FEATURES



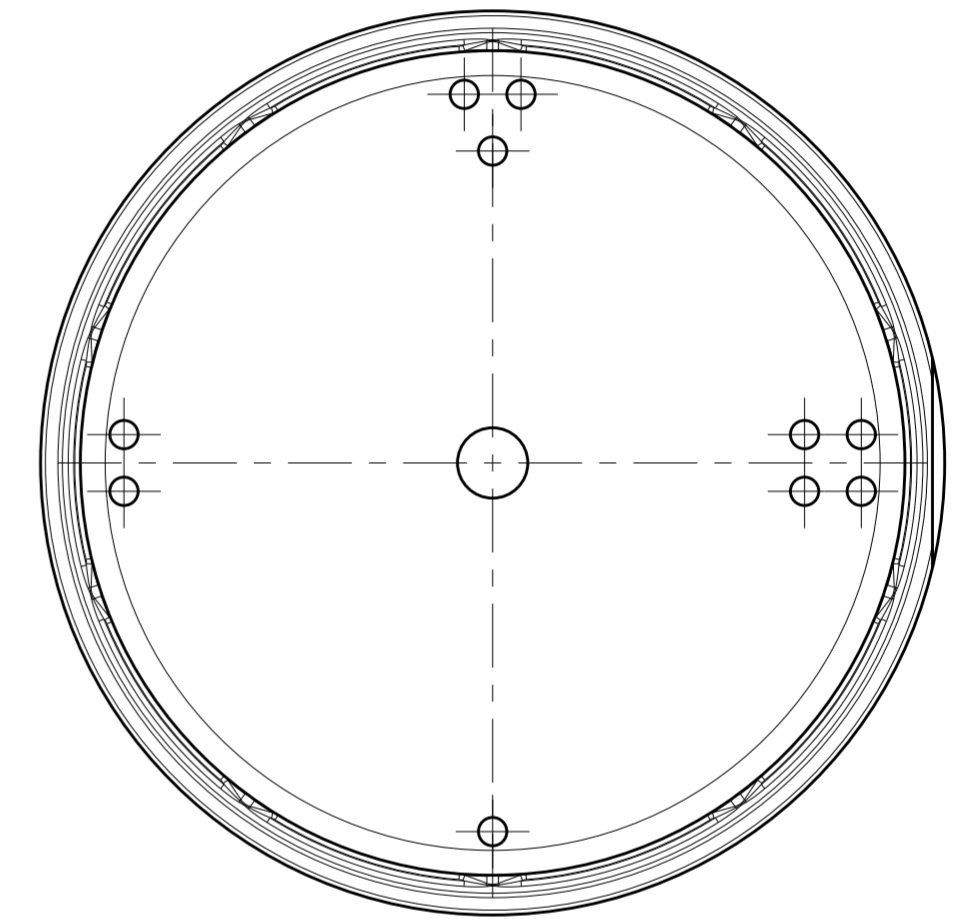
2-2328823-1 AND 3-2328823-1 SHOWN



2-2328823-2 AND 3-2328823-2 SHOWN



2-2328823-3 AND 3-2328823-3 SHOWN



IDENTIFICATION MARKING PATTERN

THIS DRAWING IS A CONTROLLED DOCUMENT.		DWN C. DAILY 10 JAN 2018	TE Connectivity	
		CHK M. STOLLER 10 JAN 2018		
DIMENSIONS: mm		TOLERANCES UNLESS OTHERWISE SPECIFIED:		NAME DOME, LUMAWISE ENDURANCE S, 80mm
		0 PLC ±	1 PLC ±0.2	PRODUCT SPEC 108-133073
		2 PLC ±0.10	3 PLC ±	APPLICATION SPEC 114-133074
		4 PLC ±	ANGLES ±1°	SIZE A200779
MATERIAL SEE TABLE		FINISH		CAGE CODE C-2328823
				DRAWING NO C-2328823
				RESTRICTED TO
				SCALE 1:1 SHEET 2 OF 2 REV B2
				CUSTOMER DRAWING

X-ON Electronics

Largest Supplier of Electrical and Electronic Components

Click to view similar products for [LED Lighting Lenses](#) category:

Click to view products by [TE Connectivity](#) manufacturer:

Other Similar products are found below :

[LL01ED-AK40L06](#) [LL01ZZ-EX25L06-M2](#) [180182-0000](#) [LL01ED-ALI55R49](#) [C14707_IDA16-O](#) [LL01ED-AKY24R49](#) [LL01CR-AYG15R49](#) [LL01CR-OT32L06-M2](#) [LL01ZZ-AAA24L49](#) [LL01CR-CEN38L02](#) [LL01ZZ-AAA55L49](#) [LL01CR-AYG24R49](#)
[LL01A00CZMB2-M2](#) [LL01ED-AKY38R49](#) [LL01CR-CNE2545L06-M2](#) [LL01ZZ-AAA38L49](#) [LL01ED-AKV36R49](#) [LL01ED-ALI24R49](#)
[LL01CR-AYG38R49](#) [C17171_DAISSY-8X1-SHD-MATT](#) [F16859_LINDA-ZT25](#) [C17295_ILONA-ZOOM](#) [F16636_LINDA-W60](#)
[C16871_DAISSY-7X1-W](#) [C18165_AMY-35-ZOOM-SUB](#) [10003](#) [10003/15](#) [10048](#) [10049](#) [10108](#) [F14487_FLORENCE-1R-MAXI-WG](#) [12667](#)
[C14605_HB-2X2-RW](#) [C14642_FLORENCE-1R-UP](#) [CAY033](#) [CAY046/55](#) [OS-LRI2015X45S](#) [OSOLRA2015M](#) [PG1C-NX36](#) [PG1C-SX17](#)
[PM2A-SXV1](#) [PM2B-NX55-AW](#) [PM6A-FN25](#) [FC2231-0000-0050-L](#) [FC2231-0000-0100-L](#) [C14116_STRADA-2X2-PX](#) [C12345_HB-5X1-W](#)
[95-0931](#) [C15800_MOLLY-S](#) [C15802_MOLLY-W](#)