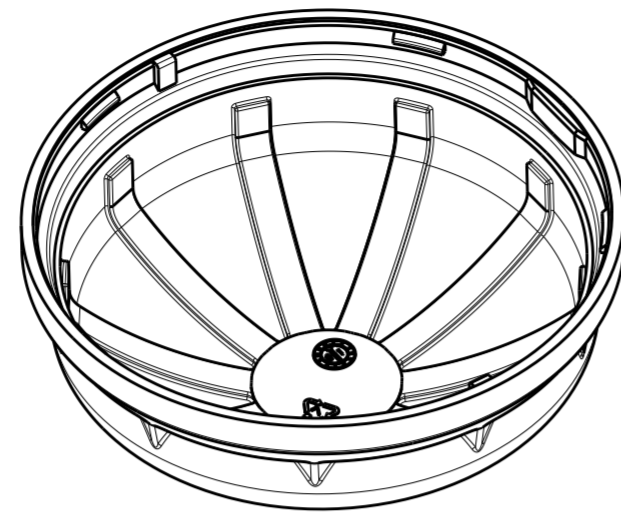
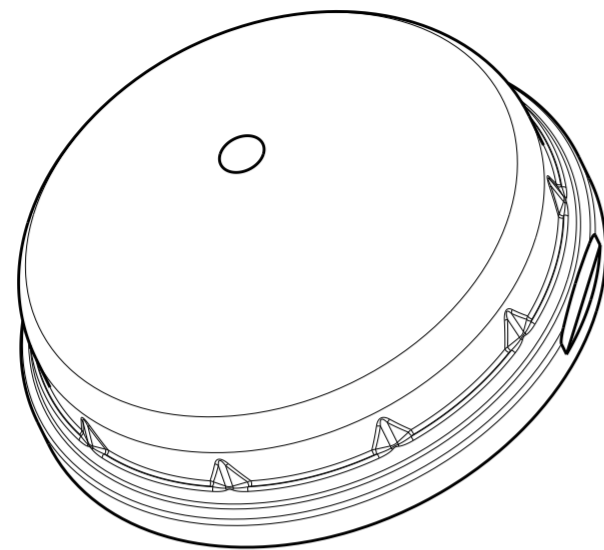
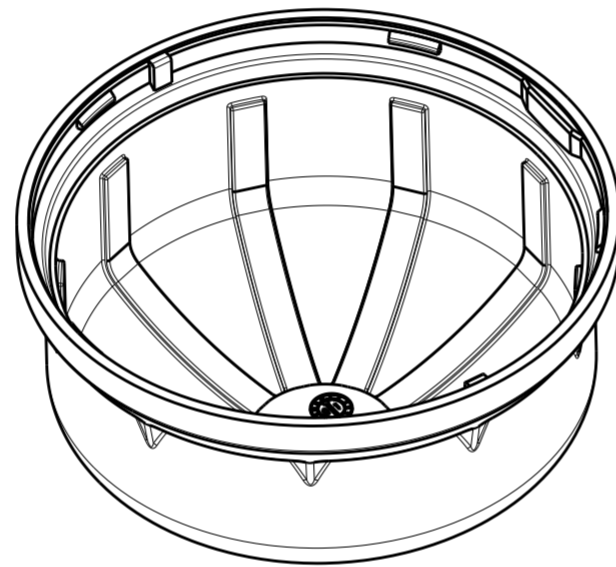
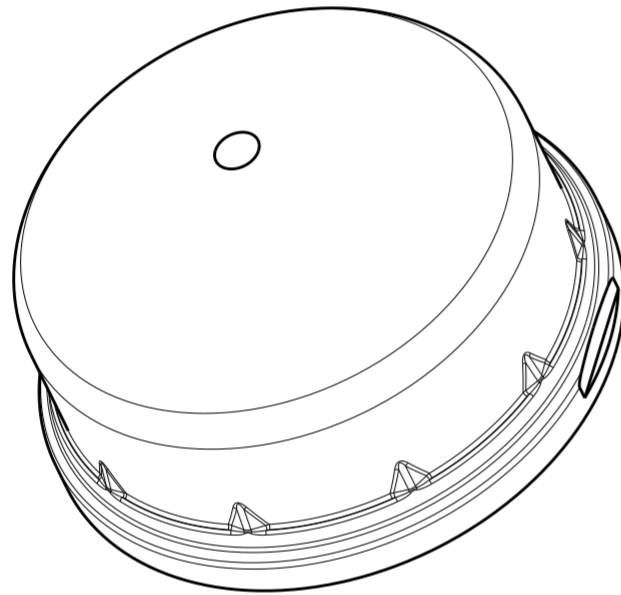


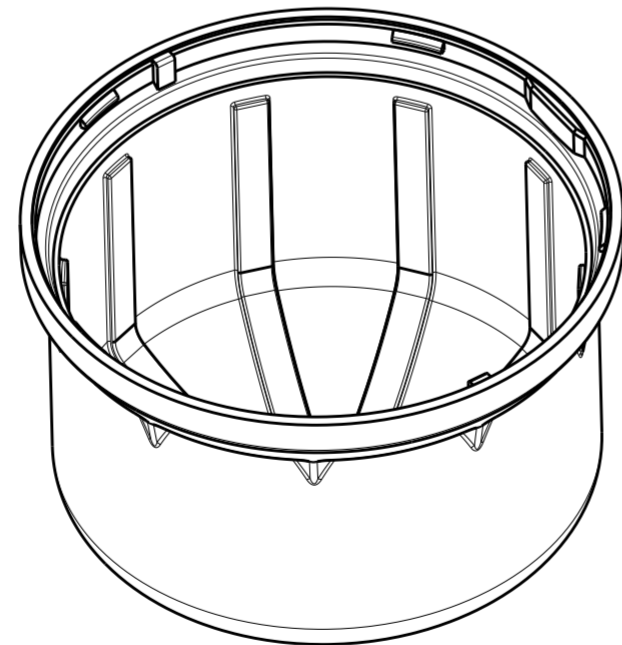
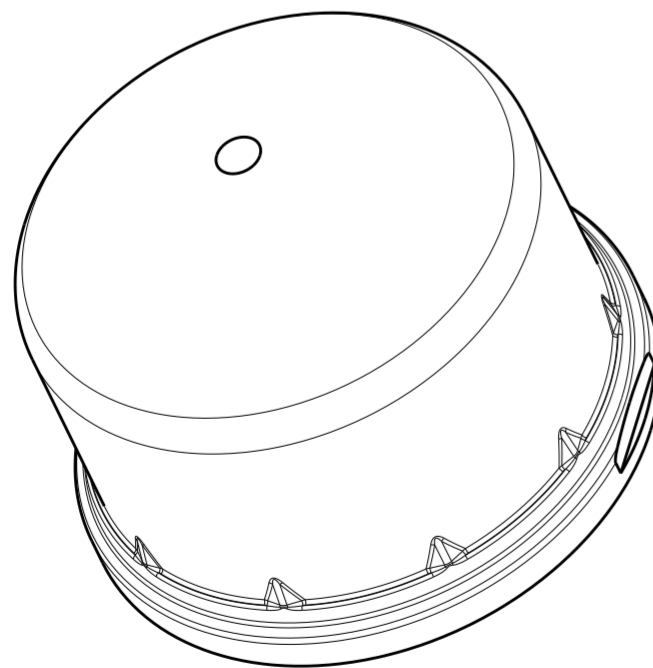
| P | LTR | DESCRIPTION | DATE | DWN | APVD |
|----|-----|---------------------------|-----------|-----|------|
| A | | REVISED PER ECR-18-017862 | 22NOV2018 | SR | DD |
| B | | REVISED PER ECR-19-008311 | 06JUN2019 | SR | DD |
| B1 | | REVISED PER ECR-19-015297 | 01OCT2019 | SB | DD |
| B2 | | REVISED PER ECR-20-007067 | 24JUN2020 | SB | DD |



2328823-1 AND 1-2328823-1
SHOWN



2328823-2 AND 1-2328823-2
SHOWN



2328823-3 AND 1-2328823-3
SHOWN

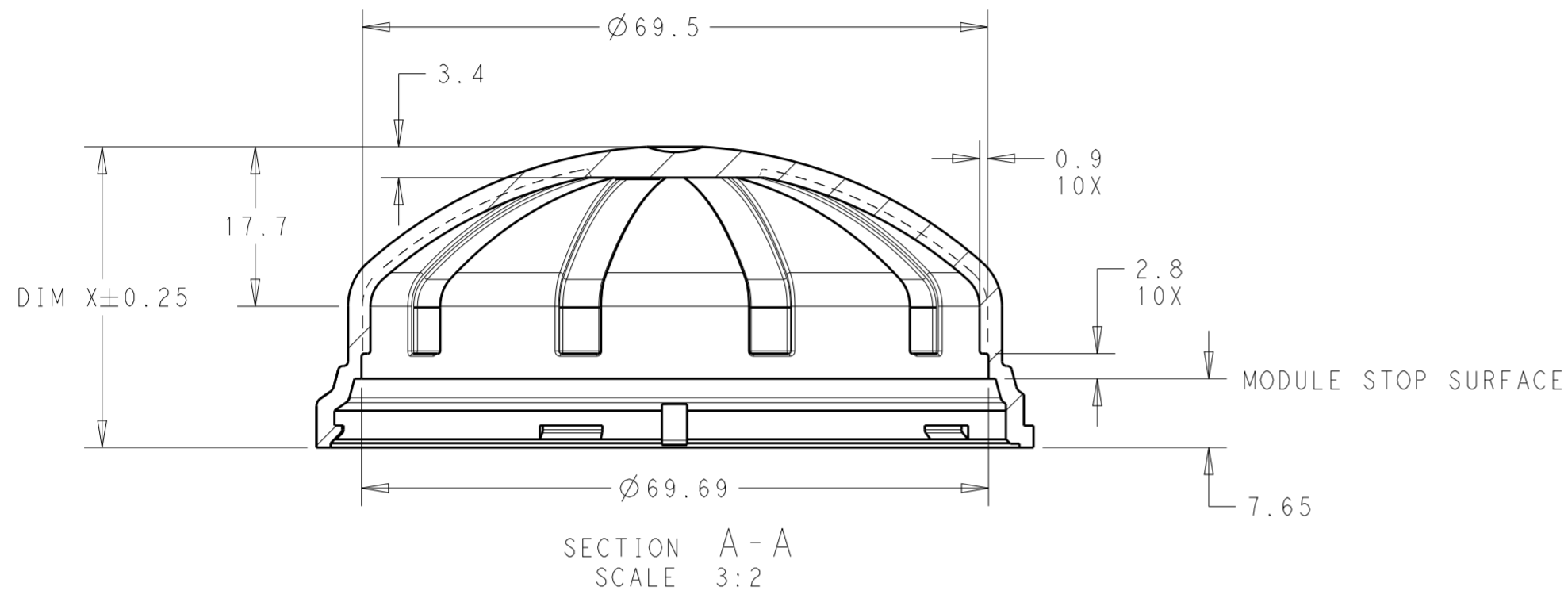
NOTES:

- 1. MATERIAL:
- POLYCARBONATE COLOR: SEE TABLE
- 2. MUST COMPLY WITH DIRECTIVE 2002/95/EC (ROHS)
- 3. MODULE BASE TE P/N: 2213831-1
- 4. PACKAGED 24 PER PLASTIC TRAY
DIM X = 33.43 AND 43.43 - 7 TRAYS PER BOX
DIM X = 58.43 - 5 TRAYS PER BOX

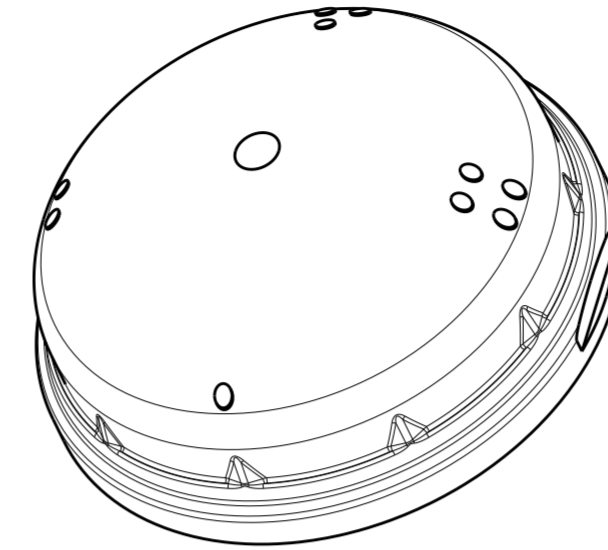
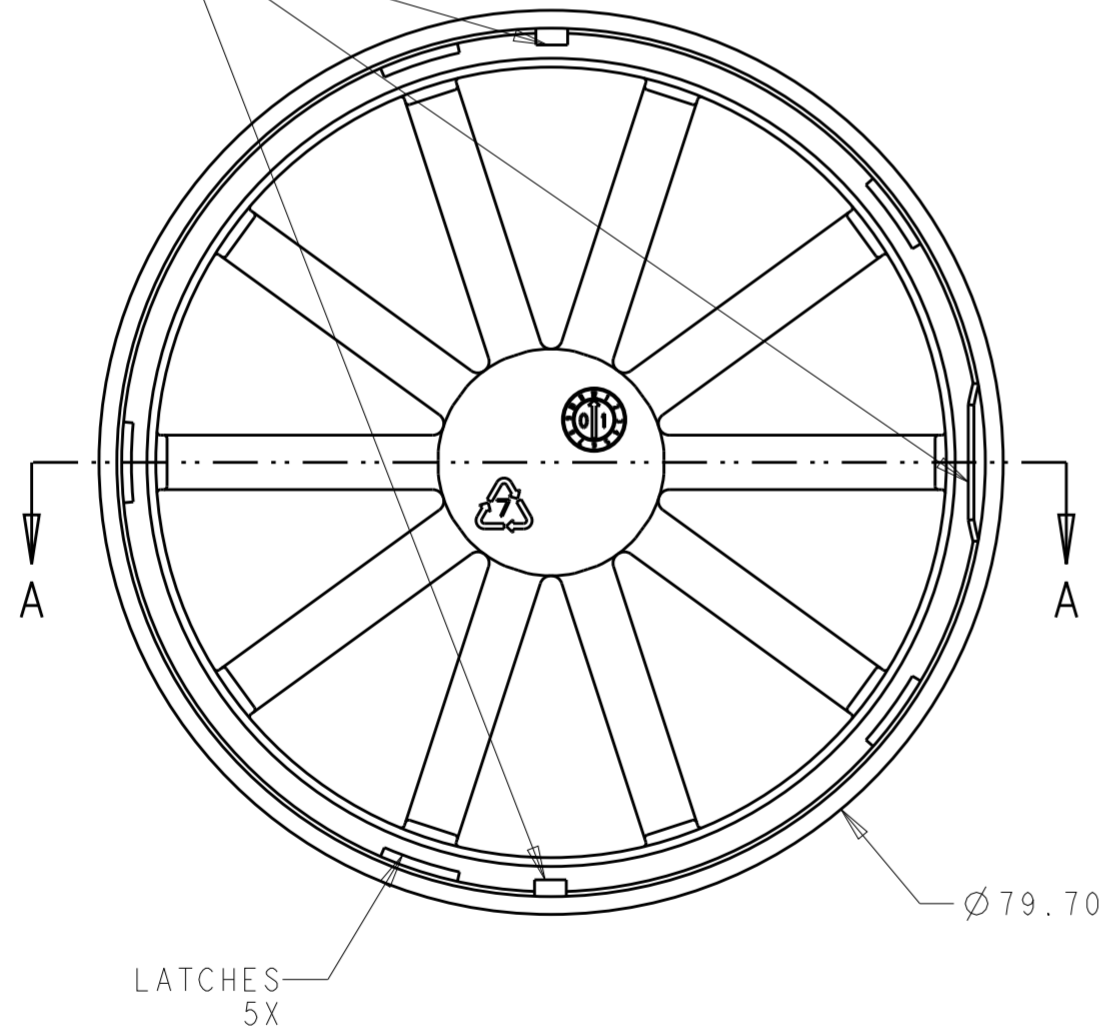
| IDENTIFICATION MARKINGS | APPROX. LIGHT TRANSMISSION | COLOR | DIM X | PART NO. |
|-------------------------|----------------------------|-------------------|-------|-------------|
| NO | 26% | TRANSLUCENT GRAY | 58.43 | 4-2328823-3 |
| NO | 26% | TRANSLUCENT GRAY | 43.43 | 4-2328823-2 |
| NO | 26% | TRANSLUCENT GRAY | 33.43 | 4-2328823-1 |
| YES | 78% | TRANSPARENT CLEAR | 58.43 | 3-2328823-3 |
| YES | 78% | TRANSPARENT CLEAR | 43.43 | 3-2328823-2 |
| YES | 78% | TRANSPARENT CLEAR | 33.43 | 3-2328823-1 |
| YES | 24% | TRANSPARENT SMOKE | 58.43 | 2-2328823-3 |
| YES | 24% | TRANSPARENT SMOKE | 43.43 | 2-2328823-2 |
| YES | 24% | TRANSPARENT SMOKE | 33.43 | 2-2328823-1 |
| NO | 78% | TRANSPARENT CLEAR | 58.43 | 1-2328823-3 |
| NO | 78% | TRANSPARENT CLEAR | 43.43 | 1-2328823-2 |
| NO | 78% | TRANSPARENT CLEAR | 33.43 | 1-2328823-1 |
| NO | 24% | TRANSPARENT SMOKE | 58.43 | 2328823-3 |
| NO | 24% | TRANSPARENT SMOKE | 43.43 | 2328823-2 |
| NO | 24% | TRANSPARENT SMOKE | 33.43 | 2328823-1 |

| | | | | |
|--|--|--------------------------------|--|-------------------------|
| THIS DRAWING IS A CONTROLLED DOCUMENT. | | DWN C. DAILY 10JAN2018 | TE Connectivity | |
| | | CHK M. STOLLER 10JAN2018 | | |
| DIMENSIONS: mm | | APVD - | NAME DOME, LUMAWISE ENDURANCE S, 80mm | |
| TOLERANCES UNLESS OTHERWISE SPECIFIED: 0 PLC ± 1 PLC ±0.2 2 PLC ±0.10 3 PLC ± 4 PLC ± ANGLES ±1° FINISH - | | PRODUCT SPEC 108-133073 | RESTRICTED TO | |
| MATERIAL SEE TABLE | | APPLICATION SPEC 114-133074 | SIZE A200779 | DRAWING NO C-2328823 |
| | | WEIGHT - | SCALE 1:1 | SHEET 1 OF 2 |
| | | CUSTOMER DRAWING | REV B2 | |

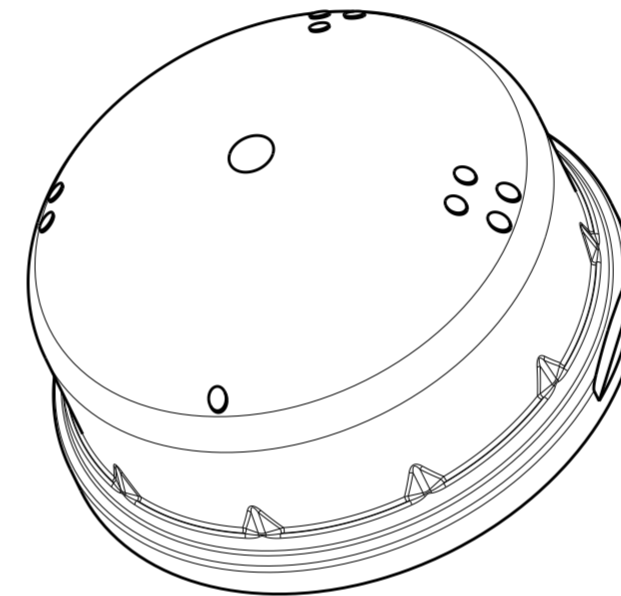
| P | LTR | DESCRIPTION | DATE | DWN | APVD |
|---|-----|-------------|------|-----|------|
| - | - | SEE SHEET 1 | - | - | - |
| | | | | | |
| | | | | | |



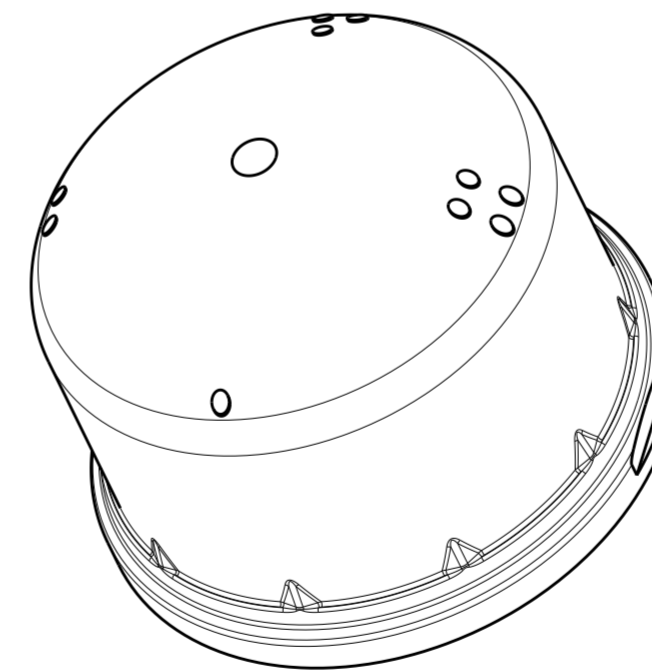
POLARIZATION FEATURES



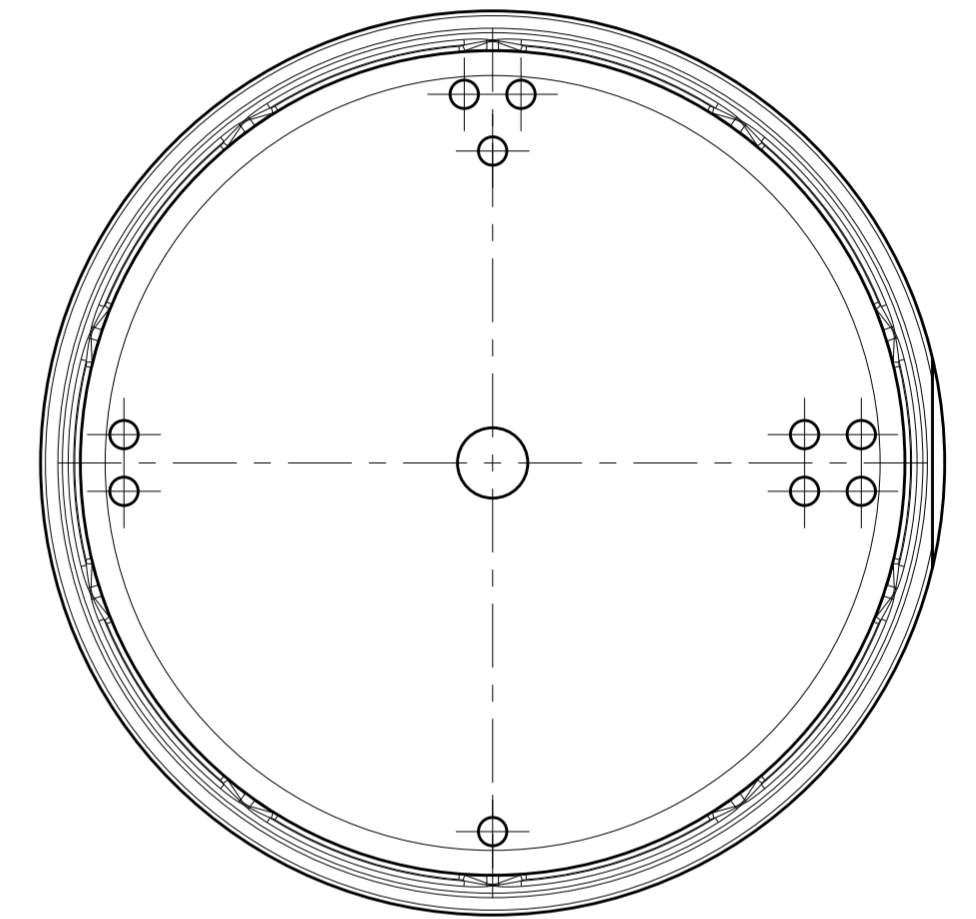
2-2328823-1 AND 3-2328823-1 SHOWN



2-2328823-2 AND 3-2328823-2 SHOWN



2-2328823-3 AND 3-2328823-3 SHOWN



| | | | | |
|--|--|--|-----------------|--|
| THIS DRAWING IS A CONTROLLED DOCUMENT. | | DWN C. DAILY 10 JAN 2018 | TE Connectivity | |
| | | CHK M. STOLLER 10 JAN 2018 | | |
| DIMENSIONS: mm | | TOLERANCES UNLESS OTHERWISE SPECIFIED: | | NAME DOME, LUMAWISE ENDURANCE S, 80mm |
| | | 0 PLC ± | 1 PLC ±0.2 | PRODUCT SPEC 108-133073 |
| | | 2 PLC ±0.10 | 3 PLC ± | APPLICATION SPEC 114-133074 |
| | | 4 PLC ± | ANGLES ±1° | SIZE A200779 |
| MATERIAL SEE TABLE | | FINISH | | CAGE CODE C-2328823 |
| | | | | DRAWING NO C-2328823 |
| | | | | RESTRICTED TO |
| | | | | SCALE 1:1 SHEET 2 OF 2 REV B2 |
| | | | | CUSTOMER DRAWING |

X-ON Electronics

Largest Supplier of Electrical and Electronic Components

Click to view similar products for [LED Lighting Lenses](#) category:

Click to view products by [TE Connectivity](#) manufacturer:

Other Similar products are found below :

[LL01ED-AK40L06](#) [LL01ZZ-EX25L06-M2](#) [180182-0000](#) [LL01ED-ALI55R49](#) [C14707_IDA16-O](#) [LL01ED-AKY24R49](#) [LL01CR-AYG15R49](#) [LL01CR-OT32L06-M2](#) [LL01ZZ-AAA24L49](#) [LL01CR-CEN38L02](#) [LL01ZZ-AAA55L49](#) [LL01CR-AYG24R49](#)
[LL01A00CZMB2-M2](#) [LL01ED-AKY38R49](#) [LL01CR-CNE2545L06-M2](#) [LL01ZZ-AAA38L49](#) [LL01ED-AKV36R49](#) [LL01ED-ALI24R49](#)
[LL01CR-AYG38R49](#) [C17171_DAISSY-8X1-SHD-MATT](#) [F16859_LINDA-ZT25](#) [C17295_ILONA-ZOOM](#) [F16636_LINDA-W60](#)
[C16871_DAISSY-7X1-W](#) [C18165_AMY-35-ZOOM-SUB](#) [10003](#) [10003/15](#) [10048](#) [10049](#) [10108](#) [F14487_FLORENCE-1R-MAXI-WG](#) [12667](#)
[C14605_HB-2X2-RW](#) [C14642_FLORENCE-1R-UP](#) [CAY033](#) [CAY046/55](#) [OS-LRI2015X45S](#) [OSOLRA2015M](#) [PG1C-NX36](#) [PG1C-SX17](#)
[PM2A-SXV1](#) [PM2B-NX55-AW](#) [PM6A-FN25](#) [FC2231-0000-0050-L](#) [FC2231-0000-0100-L](#) [C14116_STRADA-2X2-PX](#) [C12345_HB-5X1-W](#)
[95-0931](#) [C15800_MOLLY-S](#) [C15802_MOLLY-W](#)