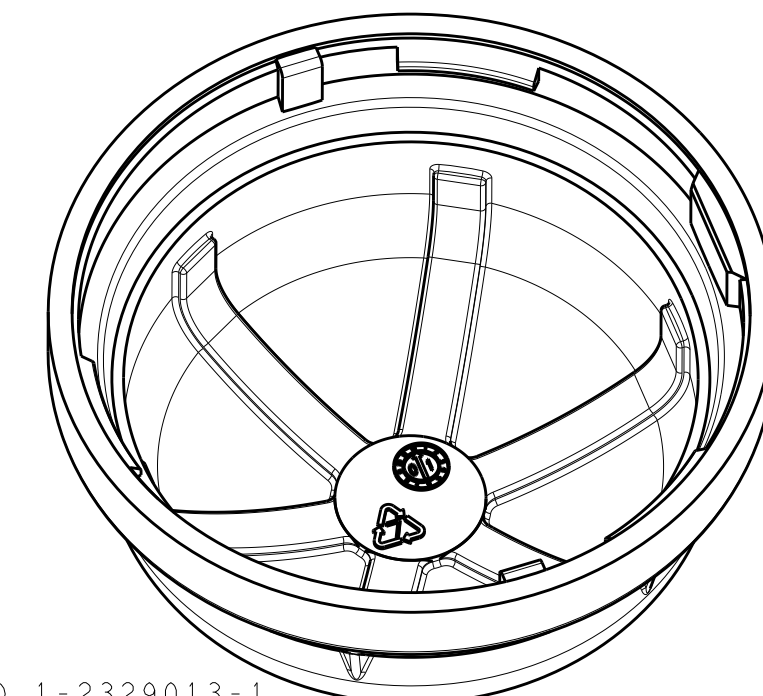
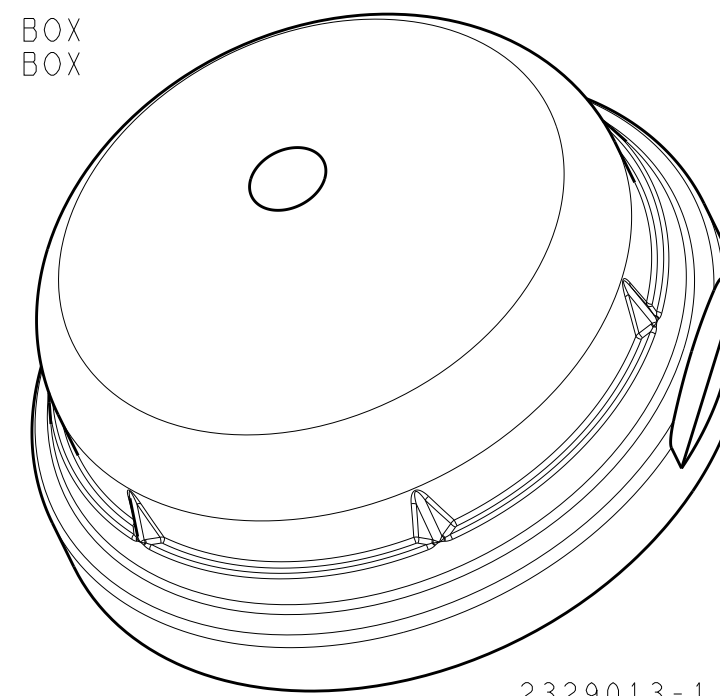
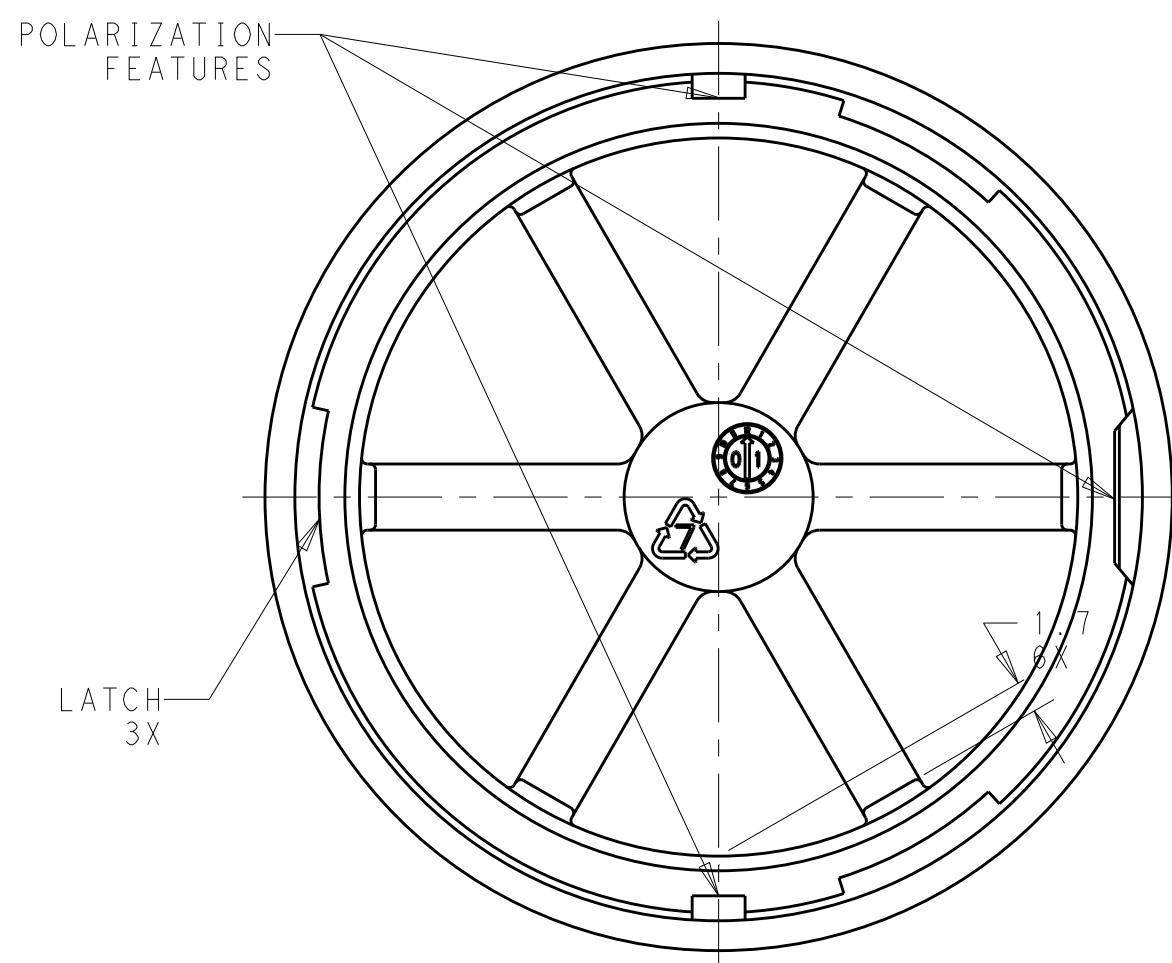
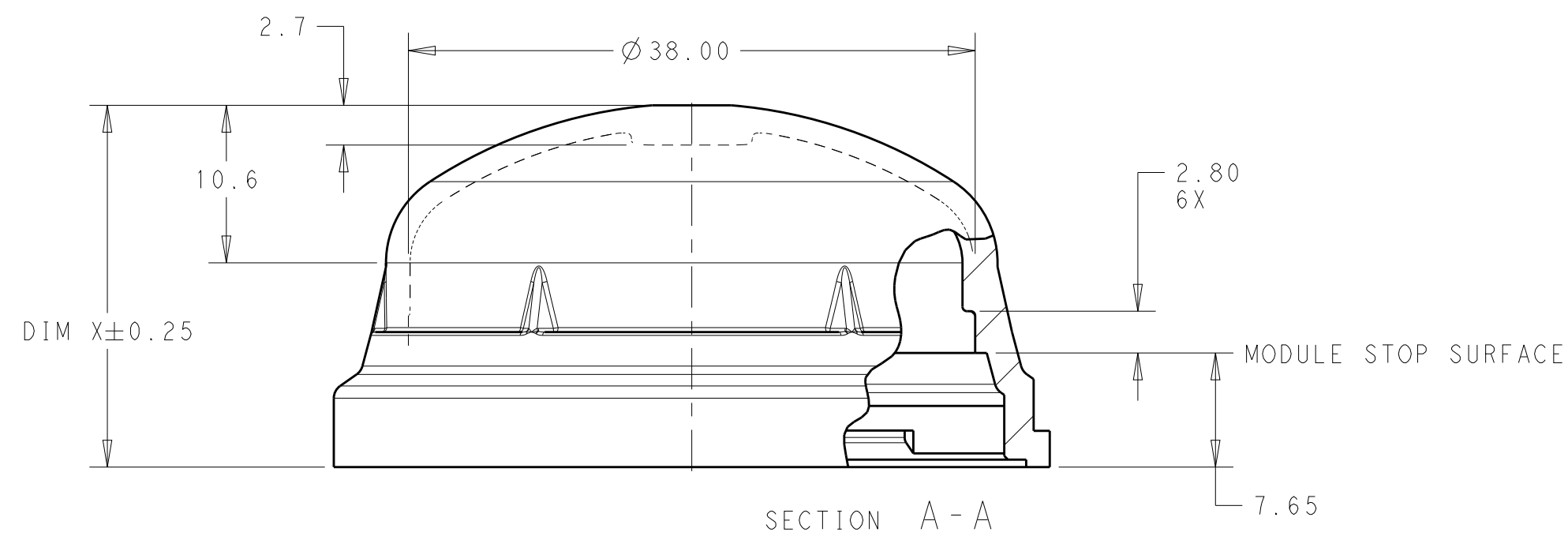
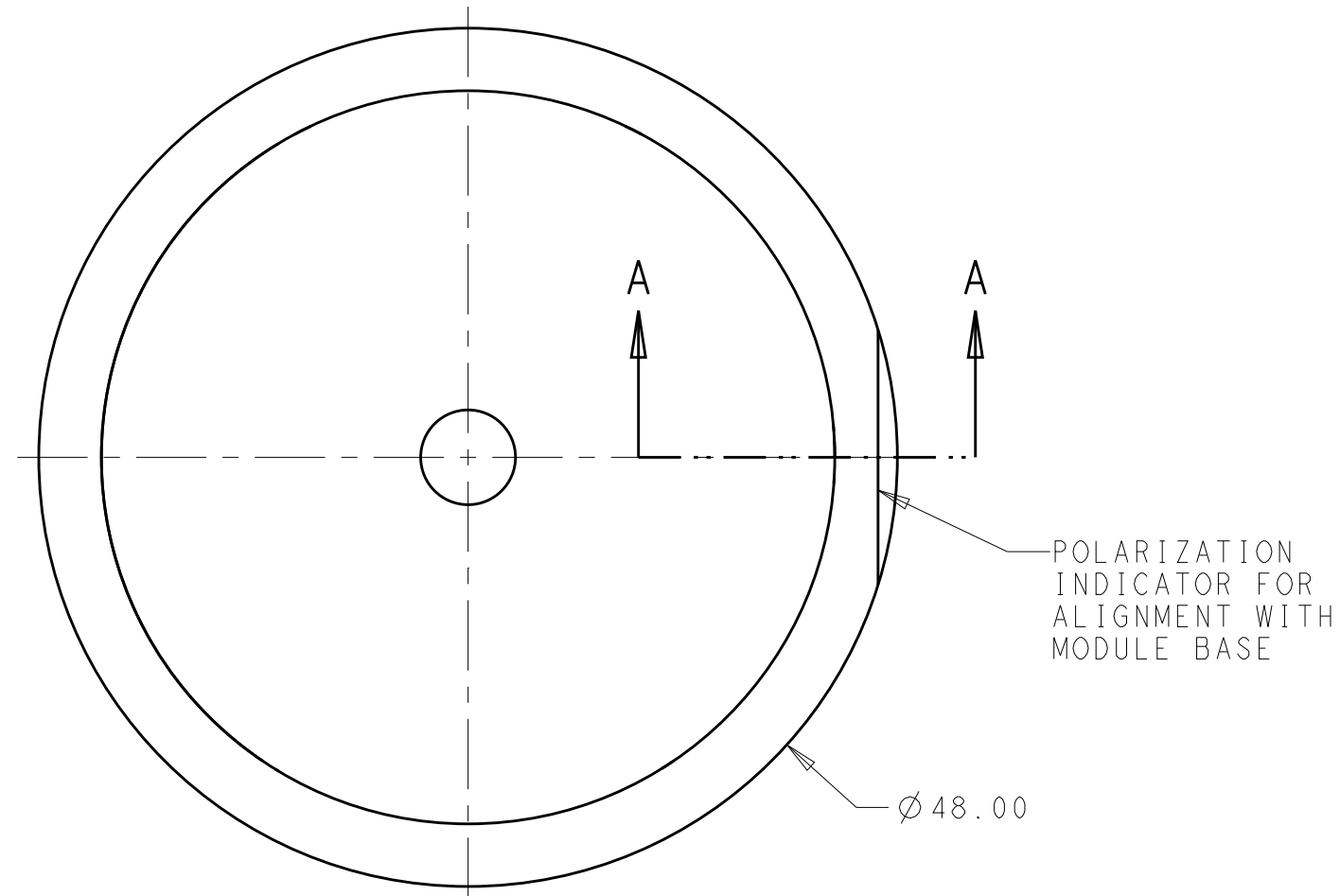
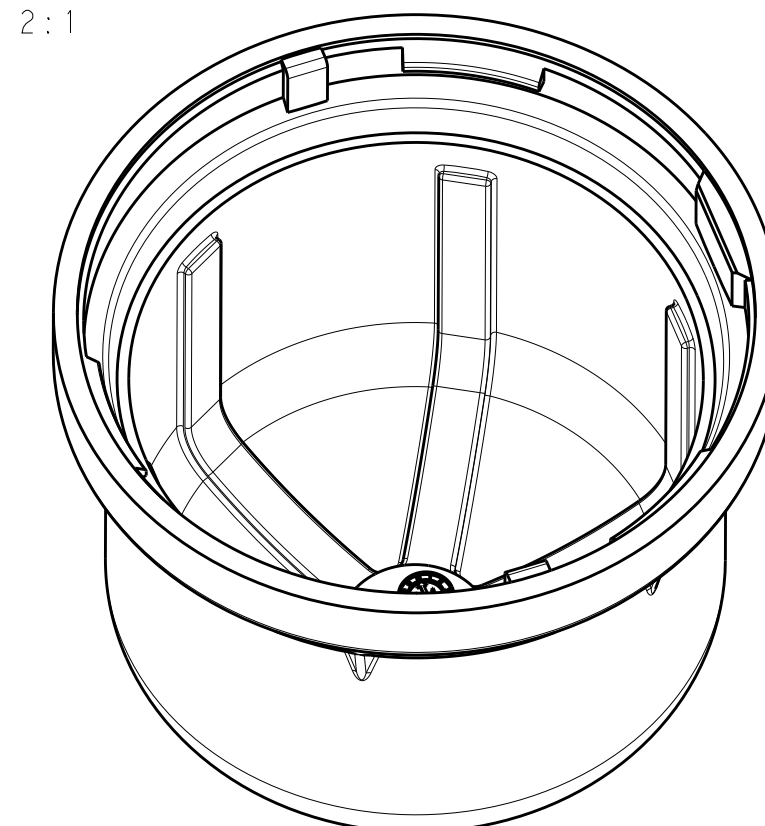
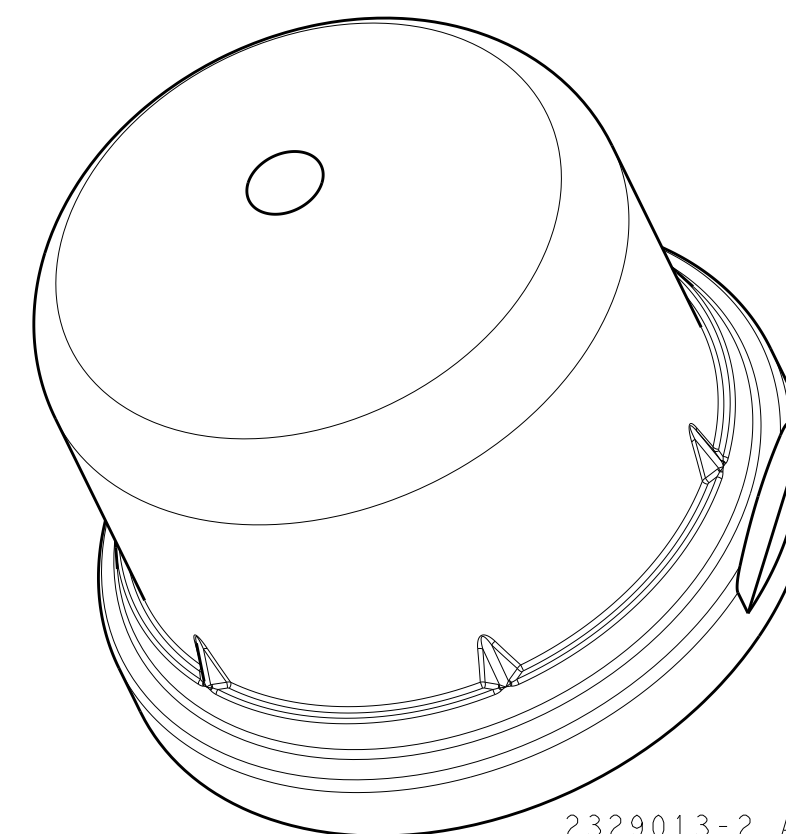


P	LTR	DESCRIPTION	DATE	DWN	APVD
A		REVISED PER ECR-18-017862	22NOV2018	SR	DD
B		REVISED PER ECR-19-008311	06JUN2019	SR	DD
B1		REVISED PER ECR-19-015297	01OCT2019	SB	DD
B2		REVISED PER ECR-20-009266	09JUL2020	SB	DD

- 1. MATERIAL:
- POLYCARBONATE COLOR: SEE TABLE
- 2. MUST COMPLY WITH DIRECTIVE 2002/95/EC (ROHS)
- 3. THIS PRODUCT HAS NOT COMPLETED VALIDATION TESTING
- 4. MODULE BASE TE P/N: 2213837-1
- 5. PACKAGED 66 PER PLASTIC TRAY
DIM X = 24.25 - 7 TRAYS PER BOX
DIM X = 39.25 - 4 TRAYS PER BOX



2329013-1 AND 1-2329013-1
SHOWN
SCALE 2:1



2329013-2 AND 1-2329013-2
SHOWN
SCALE 2:1

APPROX. LIGHT TRANSMISSION	COLOR	DIM X	PART NO.
26%	TRANSLUCENT GRAY	39.25	2-2329013-2
26%	TRANSLUCENT GRAY	24.25	2-2329013-1
78%	TRANSPARENT CLEAR	39.25	1-2329013-2
78%	TRANSPARENT CLEAR	24.25	1-2329013-1
24%	TRANSPARENT SMOKE	39.25	2329013-2
24%	TRANSPARENT SMOKE	24.25	2329013-1

THIS DRAWING IS A CONTROLLED DOCUMENT.		DWN C. DAILY 10 JAN 2018	TE Connectivity		
		CHK M. STOLLER 10 JAN 2018			
DIMENSIONS: mm		TOLERANCES UNLESS OTHERWISE SPECIFIED: 0 PLC ± 1 PLC ±0.2 2 PLC ±0.10 3 PLC ± 4 PLC ± ANGLES ±1° FINISH -		NAME DOME, LUMAWISE ENDURANCE S, 40mm	
MATERIAL SEE TABLE		PRODUCT SPEC 108-133073 APPLICATION SPEC 114-133074		SIZE CAGE CODE DRAWING NO A200779 C-2329013	
		WEIGHT -		RESTRICTED TO SCALE 5:2 SHEET 1 OF 1 REV B2	
		CUSTOMER DRAWING			

X-ON Electronics

Largest Supplier of Electrical and Electronic Components

Click to view similar products for [LED Lighting Lenses](#) category:

Click to view products by [TE Connectivity](#) manufacturer:

Other Similar products are found below :

[LL01ED-AK40L06](#) [LL01ZZ-EX25L06-M2](#) [180182-0000](#) [LL01ED-ALI55R49](#) [C14707_IDA16-O](#) [LL01ED-AKY24R49](#) [LL01CR-AYG15R49](#) [LL01CR-OT32L06-M2](#) [LL01ZZ-AAA24L49](#) [LL01CR-CEN38L02](#) [LL01ZZ-AAA55L49](#) [LL01CR-AYG24R49](#)
[LL01A00CZMB2-M2](#) [LL01ED-AKY38R49](#) [LL01CR-CNE2545L06-M2](#) [LL01ZZ-AAA38L49](#) [LL01ED-AKV36R49](#) [LL01ED-ALI24R49](#)
[LL01CR-AYG38R49](#) [C17171_DAISSY-8X1-SHD-MATT](#) [F16859_LINDA-ZT25](#) [C17295_ILONA-ZOOM](#) [F16636_LINDA-W60](#)
[C16871_DAISSY-7X1-W](#) [C18165_AMY-35-ZOOM-SUB](#) [10003](#) [10003/15](#) [10048](#) [10049](#) [10108](#) [F14487_FLORENCE-1R-MAXI-WG](#) [12667](#)
[C14605_HB-2X2-RW](#) [C14642_FLORENCE-1R-UP](#) [CAY033](#) [CAY046/55](#) [OS-LRI2015X45S](#) [OSOLRA2015M](#) [PG1C-NX36](#) [PG1C-SX17](#)
[PM2A-SXV1](#) [PM2B-NX55-AW](#) [PM6A-FN25](#) [FC2231-0000-0050-L](#) [FC2231-0000-0100-L](#) [C14116_STRADA-2X2-PX](#) [C12345_HB-5X1-W](#)
[95-0931](#) [C15800_MOLLY-S](#) [C15802_MOLLY-W](#)