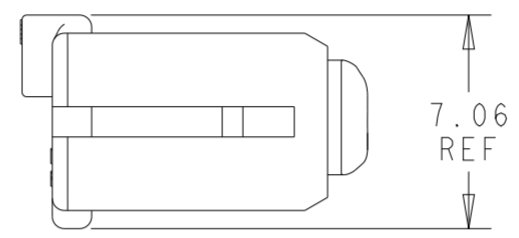
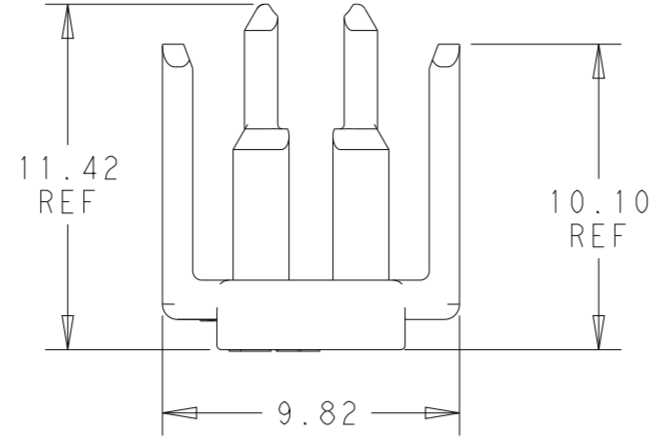
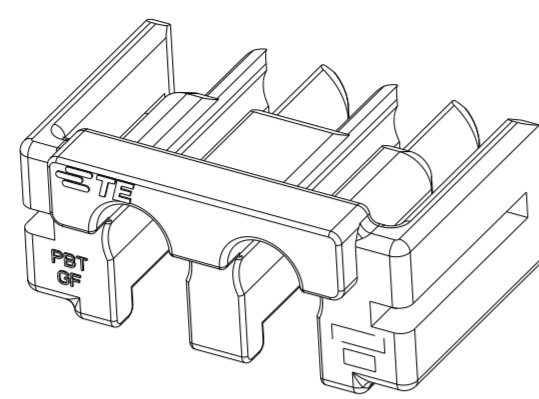
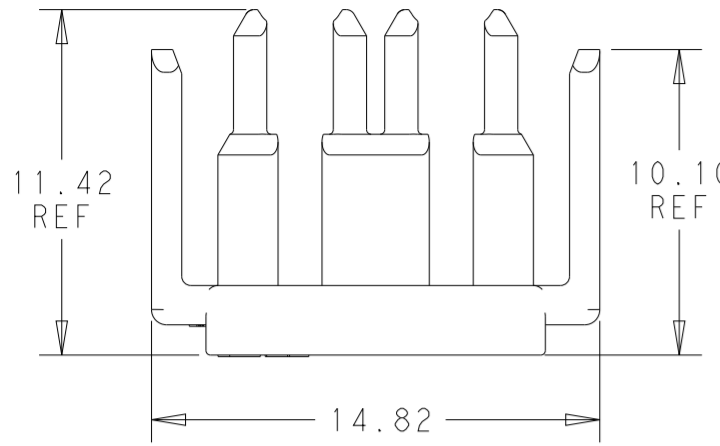
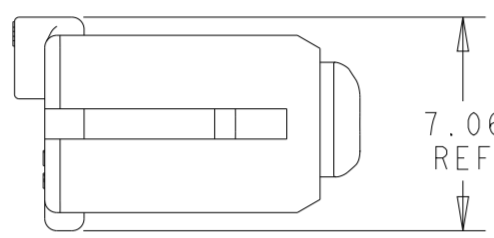


THIS DRAWING IS UNPUBLISHED. RELEASED FOR PUBLICATION 2018
 © COPYRIGHT 2018 BY - ALL RIGHTS RESERVED.

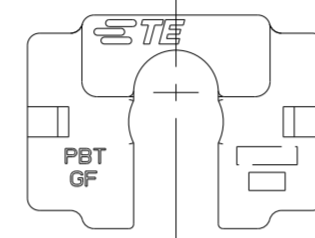
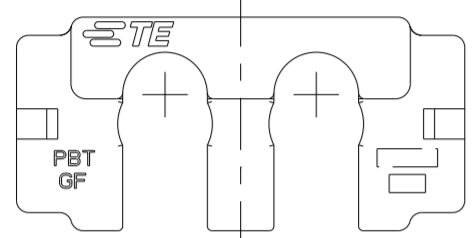
REVISIONS					
P	LTR	DESCRIPTION	DATE	DWN	APVD
9		NOTES ADDED	27MAR2019	BKW	CY
10		1 POSITION ADDED	07OCT2020	BKW	DS
11		DFM RELATED MINOR CHANGE	20JUL2021	BKW	DS
A		REVISED PER ECN-21-122783	26OCT2021	SS	VS



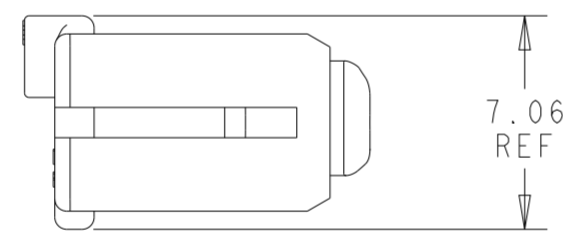
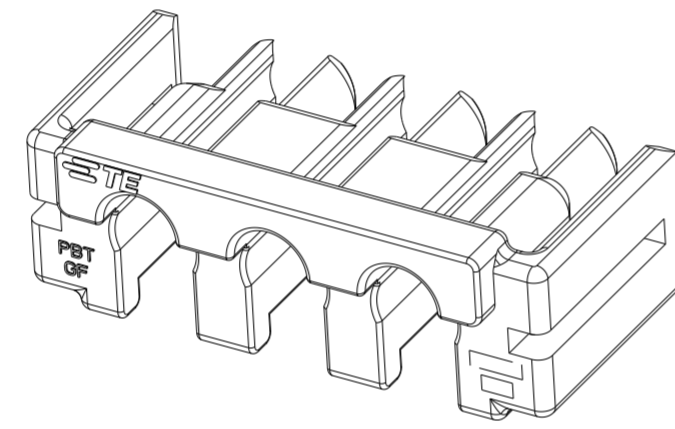
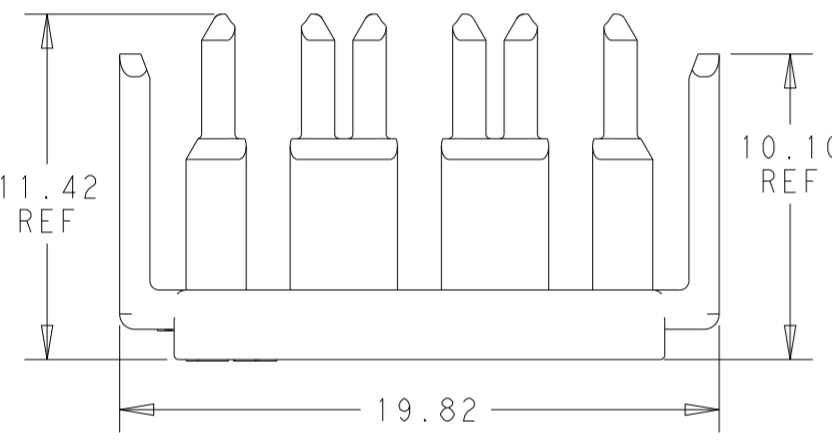
1*1 POSITION



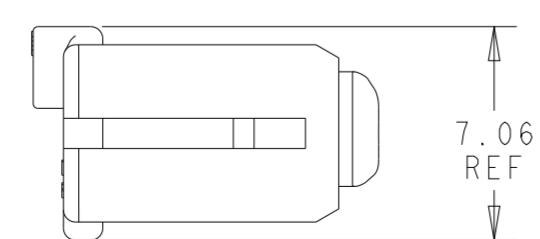
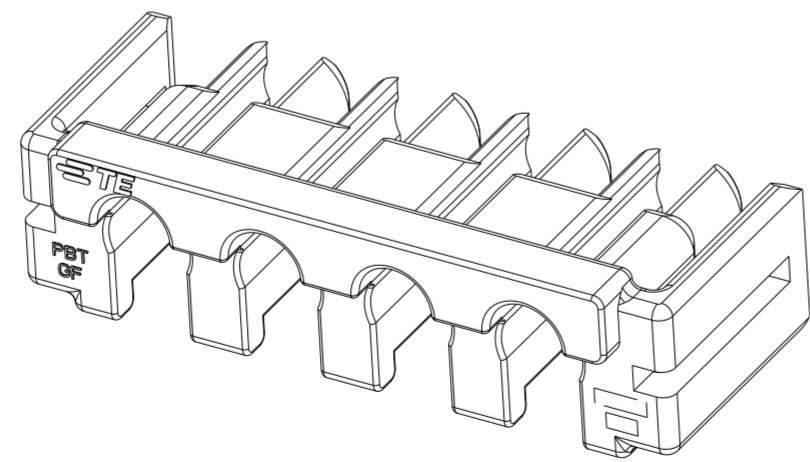
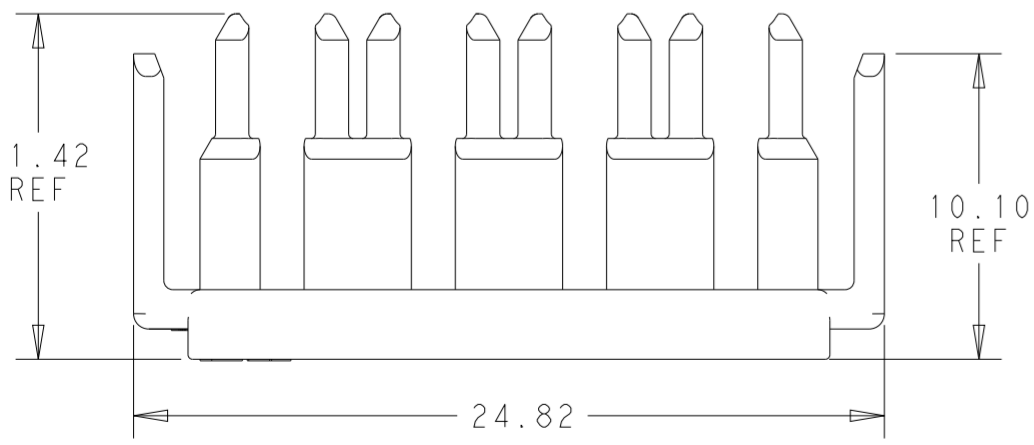
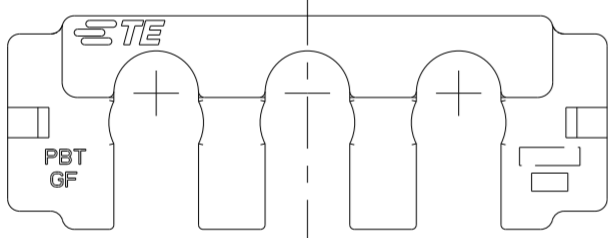
1*2 POSITION



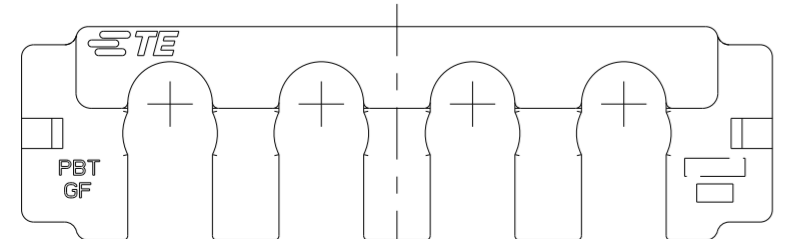
- 1. MATERIAL: PBT, GLASS FILLED
COLOR - BLACK
- 2. MATING CONNECTOR P/N'S:
CAP HSG - *-2378158-*/*-2345729-
PLUG HSG - *-2378159-*/*-2345728-*
- 3. PART CAN BE ASSEMBLED 180°
- 4. ACCEPTS STRANDED WIRE WITH AN INSULATION DIAMETER OF 3.1mm MAXIMUM.
- 5. FLAMMABILITY RATING: UL94 V-0
- 6. THIS PRODUCT HAS NOT COMPLETED QUALIFICATION TESTING.



1*3 POSITION



1*4 POSITION



1*4	2329016-4
1*3	2329016-3
1*2	2329016-2
1*1	2329016-1
POSITIONS	PART NUMBER

THIS DRAWING IS A CONTROLLED DOCUMENT.		DWN B. WEAVER 18JUN2018	TE Connectivity NAME TPA, POWER VERSA-LOCK	
DIMENSIONS: mm		CHK S. FERNANDES 18JUN2018		
TOLERANCES UNLESS OTHERWISE SPECIFIED:		APVD C. YI 18JUN2018	PRODUCT SPEC 108-143081	
0 PLC ±		APPLICATION SPEC 114-143082		
1 PLC ±		WEIGHT -		
2 PLC ±0.50		SIZE A2		
3 PLC ±		CAGE CODE 00779		
4 PLC ±		DRAWING NO C-2329016		
ANGLES ±		RESTRICTED TO -		
FINISH -		SCALE 4:1		
MATERIAL 1		SHEET 1 OF 1		
		REV A		

X-ON Electronics

Largest Supplier of Electrical and Electronic Components

Click to view similar products for [Heavy Duty Power Connectors](#) category:

Click to view products by [TE Connectivity](#) manufacturer:

Other Similar products are found below :

[6646058-2](#) [6646137-1](#) [6646138-1](#) [6646940-1](#) [6651091-1](#) [6651525-1](#) [6651529-1](#) [696475-1](#) [702-32-01109](#) [73080255059](#) [73080965046](#)
[7310205040001](#) [765-16-0080B](#) [765-18-0080D](#) [902-77-02113](#) [PS00/A0620/6300](#) [AN0024023](#) [154-42B7WM250](#) [MS3117-14AC](#) [1643543-1](#)
[1766966-1](#) [1791340000](#) [NLDFT-3-BL-L-S120-M40A](#) [NLDFT-N-W-L-C240-M40B](#) [1926015-1](#) [NLS-3-BL-C240-M40B](#) [NLS-N-W-C240-](#)
[M40B](#) [NPS-3-BL-T6](#) [2-1589900-8](#) [9300480317](#) [294-0091-01100](#) [296-0040-01100](#) [1-6609148-0](#) [A32595-0049](#) [1766249-1](#) [19000005132](#)
[1926016-1](#) [1-966831-8](#) [AN0024202](#) [AN0264023](#) [279-0841-10100A](#) [281-0334-00100A](#) [RMSB4](#) [419-2083-301](#) [LCDX4/0-14B-X](#) [075-8519-](#)
[001](#) [078238-1613](#) [07.470.3256.0](#) [09000005288](#) [09140240311](#)