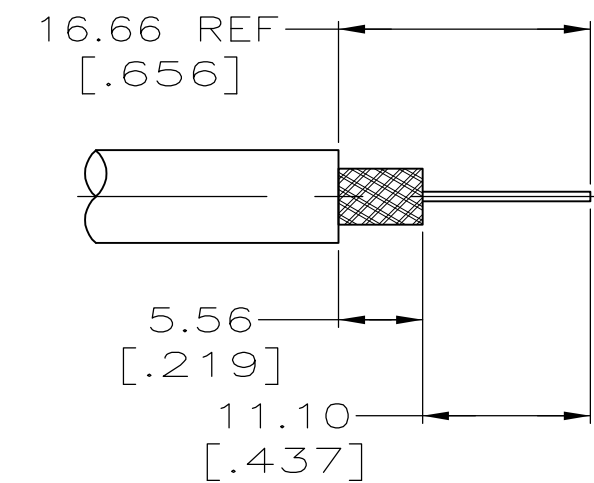
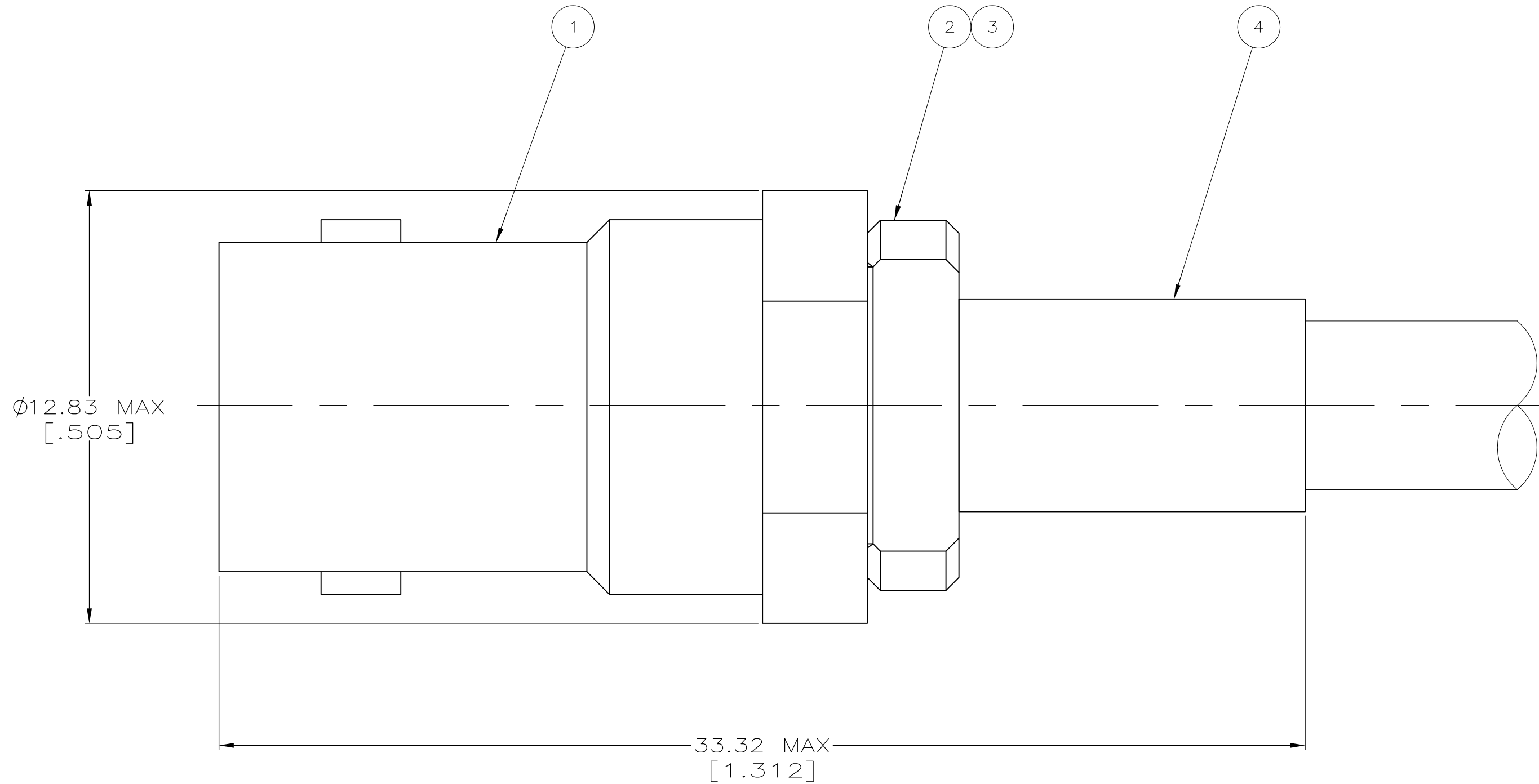


THIS DRAWING IS UNPUBLISHED. RELEASED FOR PUBLICATION  
 © COPYRIGHT - By - ALL RIGHTS RESERVED.

REVISIONS					
P	LTR	DESCRIPTION	DATE	DWN	APVD
K1		REVISED PER ECR-16-009453	30JUN2016	BW	RS

1. USE INSTRUCTION SHEET 1799-2



RECOMMENDED STRIP LENGTH  
SCALE 2:1

OBSOLETE	RG-141 & 141A	69331-1	330478	50793-1	2-329106-1	329802	2-329452-3
	RG-142/U, 142A/U, AND 142B/U	69331-1	9-329099-2	50793-1	2-329106-1	329802	2-329452-2
SUPERSEDED BY 2-329545-1	RG-58/U, 58A/U, 58B/U, AND 58C/U	69140-1	328663	50793-1	2-329106-1	329802	2-329452-1
SUPERSEDED BY 2-329452-1	RG-58/U, 58A/U, 58B/U, AND 58C/U	69140-1	328663	50793-1	2-329106-1	329802	329452
	FOR USE WITH	CRIMP TOOL	④ FERRULE QTY=1	③ CRIMP END ASSEMBLY QTY=1	② GASKET QTY=1	① JACK ASSEMBLY QTY=1	PART NUMBER

Finish		Material		Part Number	
THIS DRAWING IS A CONTROLLED DOCUMENT.		DWN 14FEB96 MICHAEL E. COWHER		TE Connectivity	
DIMENSIONS: mm		CHK 15FEB96 FRANK P. MORANA		NAME JACK, BNC	
TOLERANCES UNLESS OTHERWISE SPECIFIED:		APVD 15FEB96 FRANK P. MORANA		SIZE A2	
0 PLC ± -		PRODUCT SPEC		CAGE CODE 00779	
1 PLC ± -		APPLICATION SPEC		DRAWING NO C=329452	
2 PLC ± 0.41 [0.016]		WEIGHT 0		RESTRICTED TO -	
3 PLC ± -		CUSTOMER DRAWING		SCALE 8:1	
4 PLC ± -		FINISH -		SHEET 1 OF 1	
ANGLES ± -				REV K1	

## X-ON Electronics

Largest Supplier of Electrical and Electronic Components

*Click to view similar products for [RF Connectors / Coaxial Connectors](#) category:*

*Click to view products by [TE Connectivity](#) manufacturer:*

Other Similar products are found below :

[8915-1511-000](#) [89674-0827](#) [6001-7071-019](#) [6002-7051-003](#) [6002-7551-202](#) [6059674-1](#) [619550-1](#) [630059-000](#) [M39030/3-01N](#) [6500-7071-046](#) [6769](#) [CX050L2AQ](#) [7002-1541-010](#) [7002-1542-011](#) [7004-1512-000](#) [7009-1511-004](#) [7010-1511-000](#) [7029-1511-060](#) [7101-1541-010](#) [7101-1571-002](#) [7145-1521-002](#) [7203-1571-003](#) [7209-1511-011](#) [7210-1511-015](#) [7210-1511-019](#) [73137-5015](#) [73216-2241](#) [73404-2300](#) [7405-1521-005](#) [7405-1521-802](#) [8527](#) [8547](#) [FS11V](#) [877931](#) [8808-1511-001](#) [9049-9513-000](#) [9074-9513-000](#) [9101-9573-002](#) [910A205F](#) [9130-9573-002](#) [PL11SC-026](#) [PL375-33](#) [PL40-5](#) [PL74C-221](#) [PL75MC-217](#) [PL803-7](#) [1200690078](#) [1-201144-1](#) [R107003010W](#) [R110A172100](#)