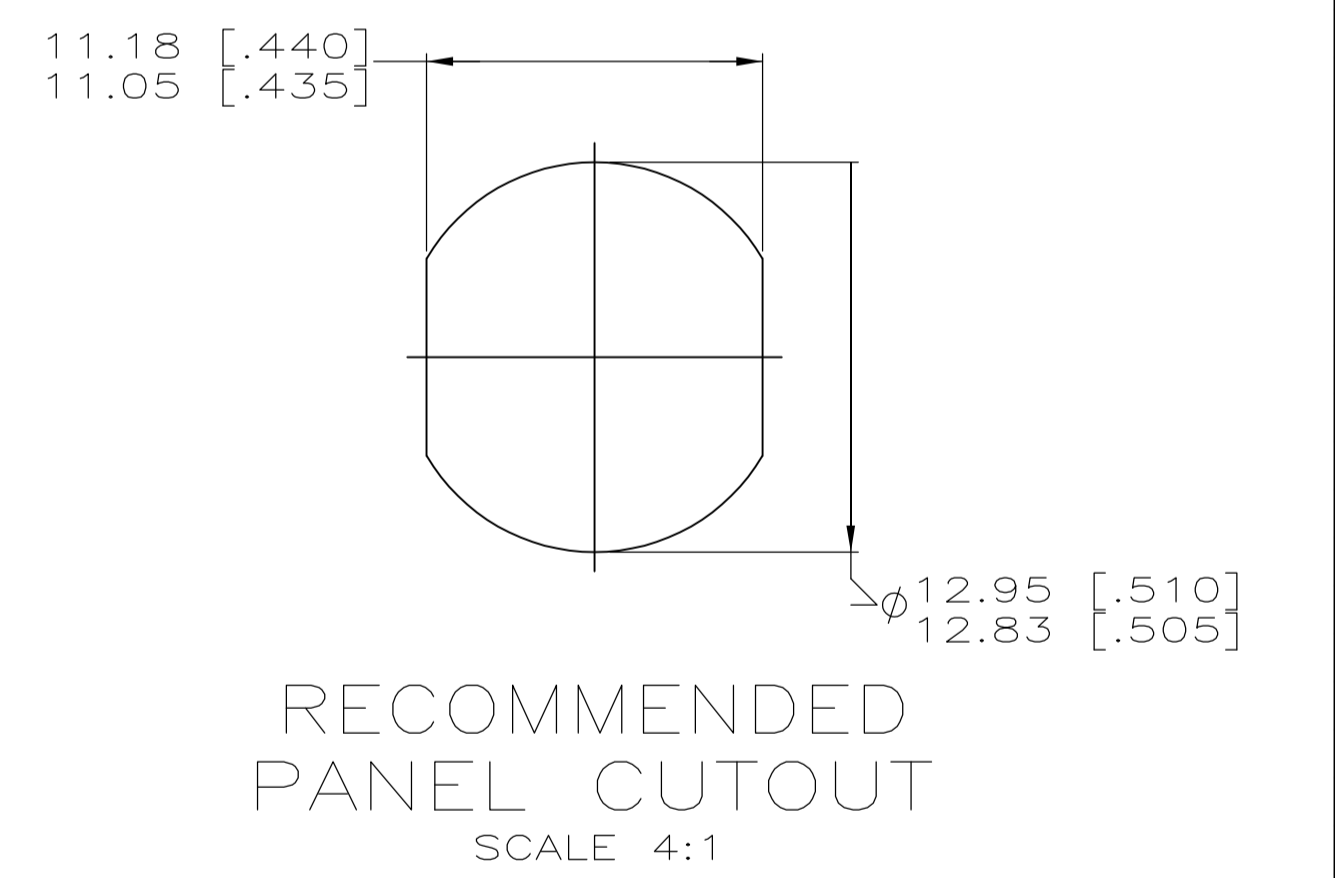
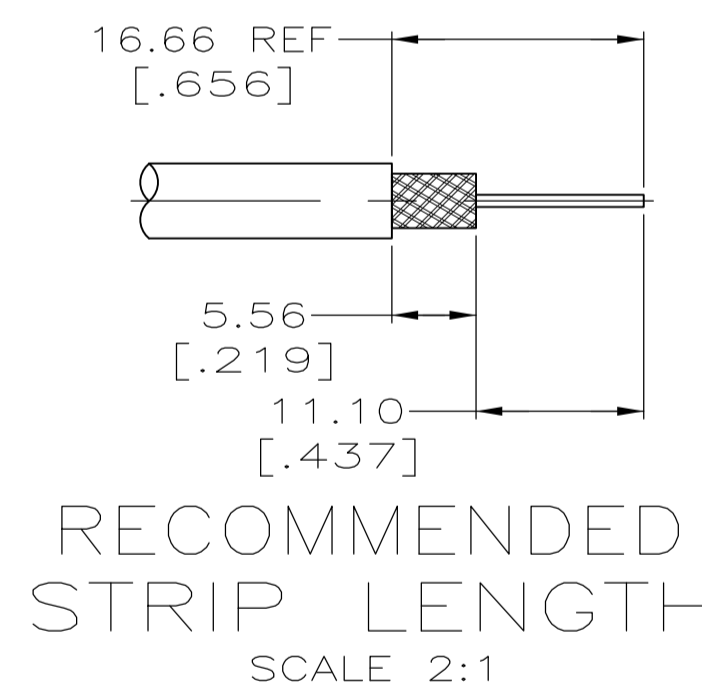
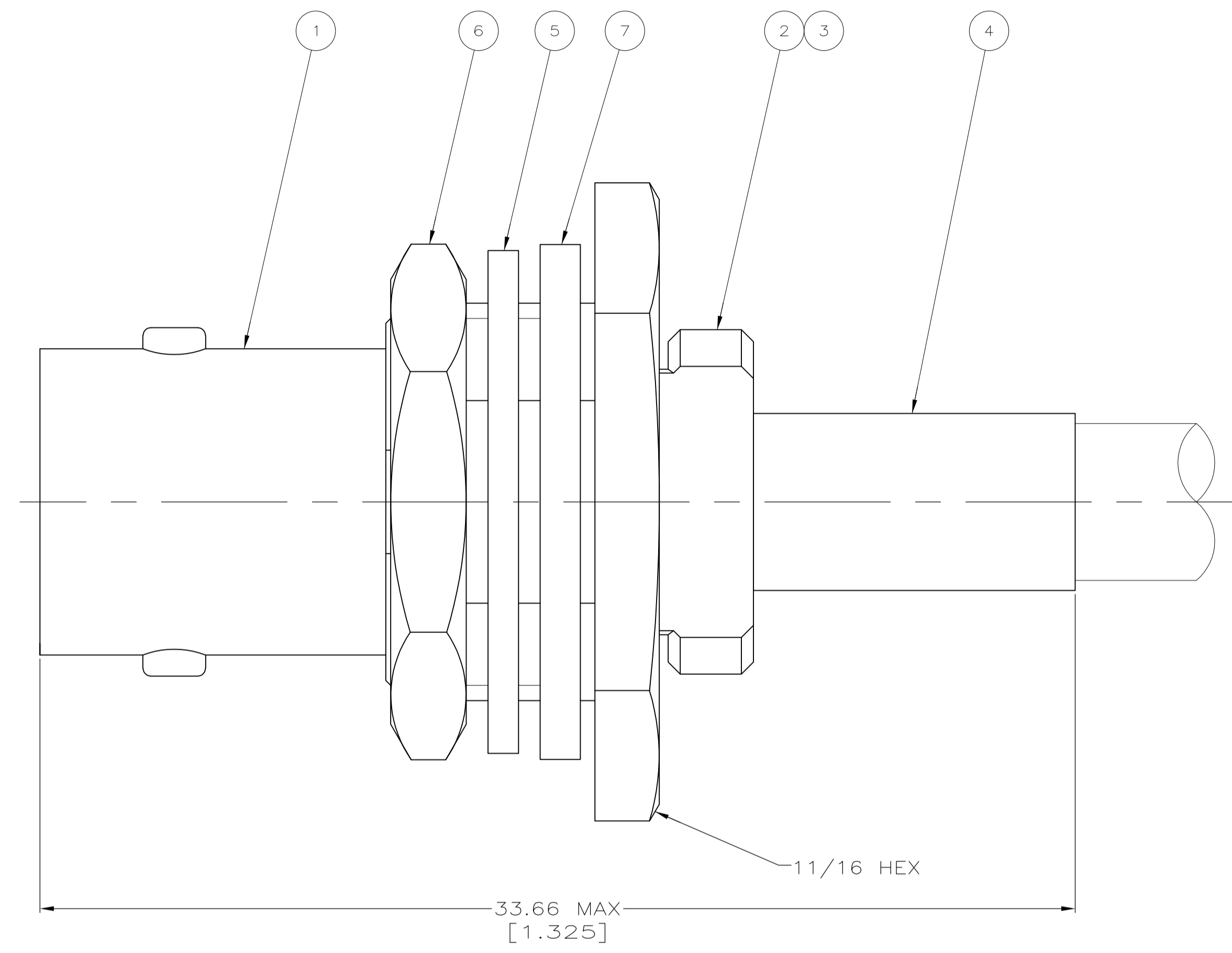


| REVISIONS | | | | | |
|-----------|-----|-----------------------|-----------|-----|------|
| P | LTR | DESCRIPTION | DATE | DMN | APVD |
| S | | REV PER ECR-16-003354 | 09MAR2016 | LN | RS |

- USE INSTRUCTION SHEET 1799-3
- MAXIMUM PANEL THICKNESS = 3.18 [.125]



| | | | | | | | | | | | |
|--------------------------|------------------------------|------------|-------------------|--------------------|------------------------|--------------------|-------------------------------|-------------------|-----------------------------------|---|-------------|
| OBSOLETE | - | - | - | - | - | - | - | - | - | - | 7-329456-2 |
| OBSOLETE | - | - | - | - | - | - | - | - | - | - | 7-329456-1 |
| OBSOLETE | - | - | - | - | - | - | - | - | - | - | 2-329456-3 |
| OBSOLETE | RG-55/U, 55A/U, 55B/U, 223/U | 69140-2 | 329633 | 329631 | 329632 | 329099 | 50793-1 | 2-329106-1 | 329800 | - | 2-329456-2 |
| | RG-142/U, 142A/U, 142B/U | 69331-1 | - | - | - | - | - | - | - | - | - |
| | RG-58/U, 58A/U, 58B/U, 58C/U | 69140-1 | 329633 | 9-329631-0 | 9-329632-0 | 9-328663-0 | 50793-1 | 2-329106-1 | 9-329800-0 | - | 2-329456-1 |
| SUPERSEDED BY 2-329456-1 | - | - | - | - | - | - | - | - | - | - | 329456 |
| | CABLE | CRIMP TOOL | ⑦ GASKET QTY=1 | ⑥ JAM NUT QTY=1 | ⑤ LOCK WASHER QTY=1 | ④ FERRULE QTY=1 | ③ CRIMP END ASSEMBLY QTY=1 | ② GASKET QTY=1 | ① JACK ASSEMBLY BULKHEAD QTY=1 | | PART NUMBER |

THIS DRAWING IS A CONTROLLED DOCUMENT.

| | | | | |
|-------------|---|------------------|-----------------|---------------------|
| DIMENSIONS: | TOLERANCES UNLESS OTHERWISE SPECIFIED: | DMN | 07FEB96 | TE Connectivity |
| mm | 0 PLC ± - 1 PLC ± - 2 PLC ± - 3 PLC ± 0.41 [.016] 4 PLC ± - ANGLES ± - | CHK | 15FEB96 | |
| MATERIAL | FINISH | APVD | FRANK P. MORANA | NAME |
| | | PRODUCT SPEC | FRANK P. MORANA | JACK, BULKHEAD, BNC |
| | | APPLICATION SPEC | | |
| | | WEIGHT | | SIZE |
| | | | | A1 |
| | | | | CAGE CODE |
| | | | | 00779 |
| | | | | DRAWING NO |
| | | | | 329456 |
| | | | | RESTRICTED TO |
| | | | | |
| | | | | CUSTOMER DRAWING |
| | | | | SCALE |
| | | | | 8:1 |
| | | | | SHEET |
| | | | | 1 OF 1 |
| | | | | REV |
| | | | | S |

X-ON Electronics

Largest Supplier of Electrical and Electronic Components

Click to view similar products for [RF Connectors / Coaxial Connectors](#) category:

Click to view products by [TE Connectivity](#) manufacturer:

Other Similar products are found below :

[8915-1511-000](#) [89674-0827](#) [6001-7071-019](#) [6002-7051-003](#) [6002-7551-202](#) [6059674-1](#) [619550-1](#) [630059-000](#) [M39030/3-01N](#) [6500-7071-046](#) [6769](#) [CX050L2AQ](#) [7002-1541-010](#) [7002-1542-011](#) [7004-1512-000](#) [7009-1511-004](#) [7010-1511-000](#) [7029-1511-060](#) [7101-1541-010](#) [7101-1571-002](#) [7145-1521-002](#) [7203-1571-003](#) [7209-1511-011](#) [7210-1511-015](#) [7210-1511-019](#) [73137-5015](#) [73216-2241](#) [73404-2300](#) [7405-1521-005](#) [7405-1521-802](#) [8527](#) [8547](#) [FS11V](#) [877931](#) [8808-1511-001](#) [9049-9513-000](#) [9074-9513-000](#) [9101-9573-002](#) [910A205F](#) [9130-9573-002](#) [PL11SC-026](#) [PL375-33](#) [PL40-5](#) [PL74C-221](#) [PL75MC-217](#) [PL803-7](#) [1200690078](#) [1-201144-1](#) [R107003010W](#) [R110A172100](#)