

4

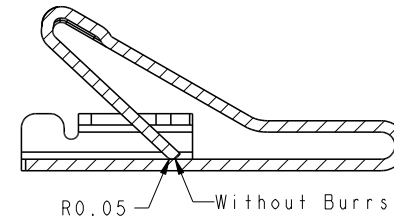
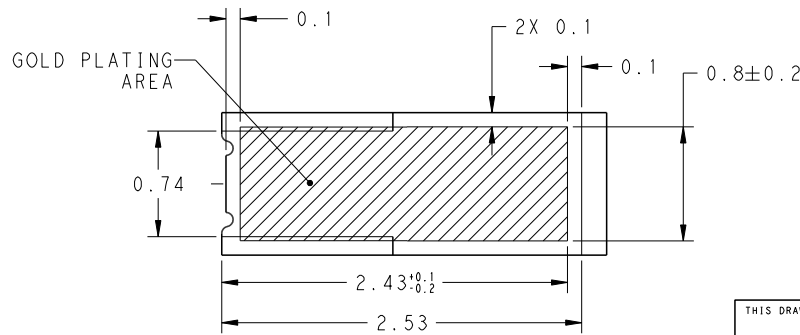
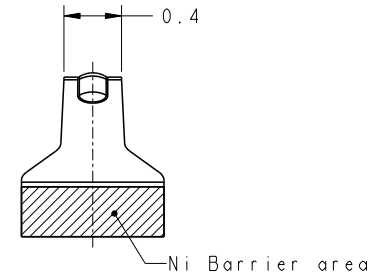
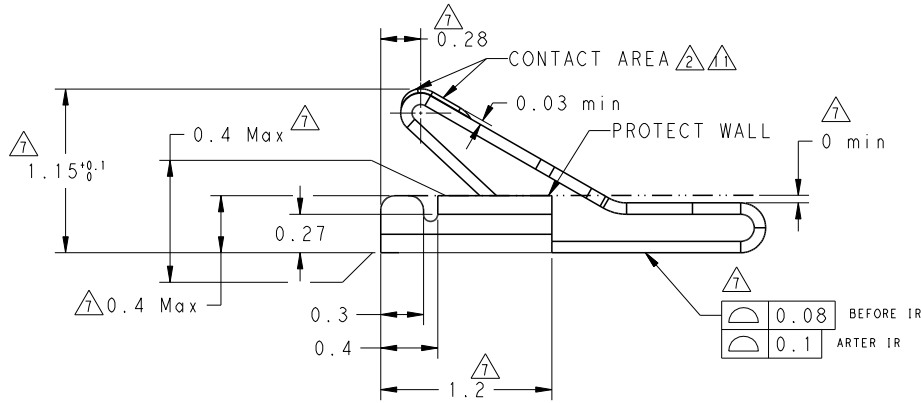
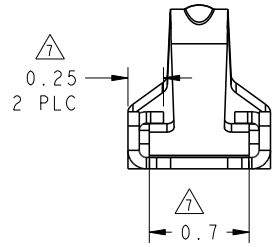
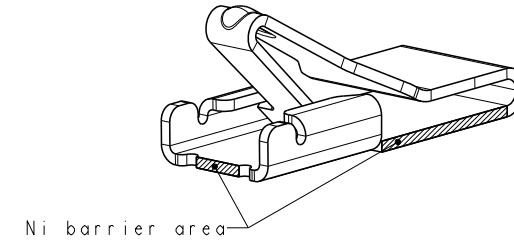
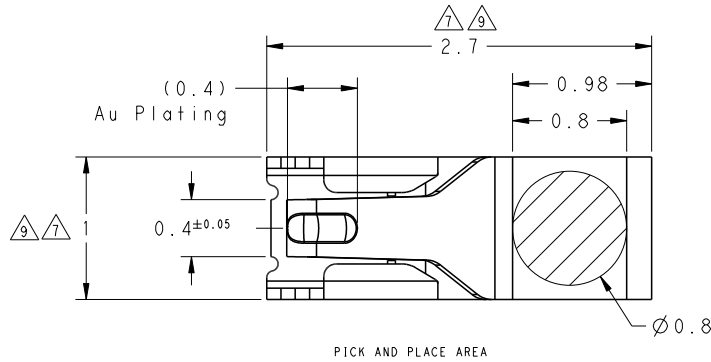
3

2

1

THIS DRAWING IS UNPUBLISHED. RELEASED FOR PUBLICATION
COPYRIGHT copyright_d87e- ALL RIGHTS RESERVED.

REVISIONS				
P	LYR	DESCRIPTION	DATE	DWN APVD
	A2	REVISED ECR-19-008484	12JUL2019	J. J. W. H.



$\nabla 1$	2329497-3
$\nabla 2$	2329497-2
PLATING	PART NO.

THIS DRAWING IS A CONTROLLED DOCUMENT.		DWN JONE JJ 02JAN2018		TE Connectivity															
DIMENSIONS: mm		CHK WENKE HE 02JAN2018		NAME															
TOLERANCES UNLESS OTHERWISE SPECIFIED: ±0.1		APVD WENKE HE 02JAN2018		1.15H LOWER PROFILE SPRING FINGER															
<table border="1"> <tr><td>0-PLC</td><td>±0.1</td></tr> <tr><td>1-PLC</td><td>±0.1</td></tr> <tr><td>2-PLC</td><td>±0.04</td></tr> <tr><td>3-PLC</td><td>±0.04</td></tr> <tr><td>4-PLC</td><td>±0.004</td></tr> <tr><td>ANGLES</td><td>±0.004°</td></tr> <tr><td>FINISH</td><td>±5°</td></tr> </table>		0-PLC	±0.1	1-PLC	±0.1	2-PLC	±0.04	3-PLC	±0.04	4-PLC	±0.004	ANGLES	±0.004°	FINISH	±5°	PRODUCT SPEC		SIZE CAGE CODE DRAWING NO	
0-PLC	±0.1																		
1-PLC	±0.1																		
2-PLC	±0.04																		
3-PLC	±0.04																		
4-PLC	±0.004																		
ANGLES	±0.004°																		
FINISH	±5°																		
MATERIAL		APPLICATION SPEC		RESTRICTED TO															
$\nabla 1$		WEIGHT 0.004g		SCALE 24:1 SHEET 1 OF 3 REV A2															
$\nabla 2$		CUSTOMER DRAWING		©=2329497															

4

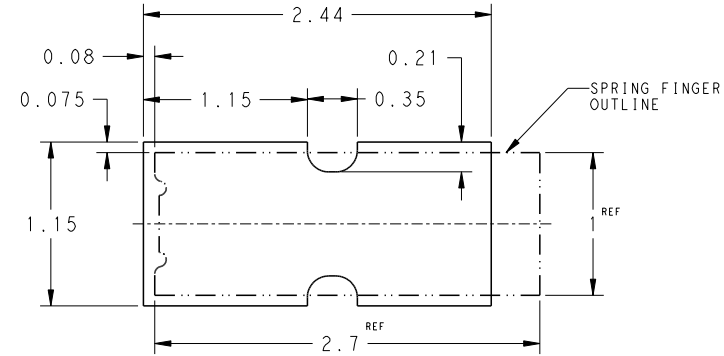
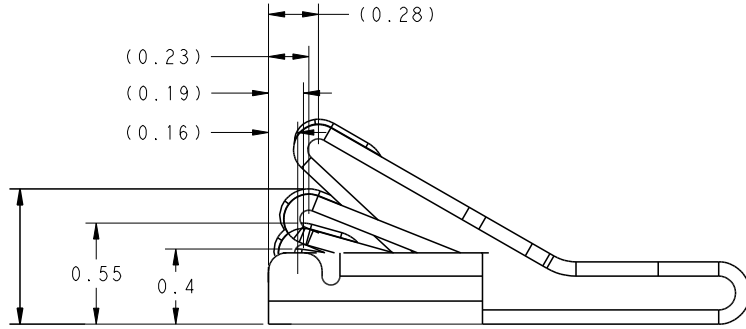
3

2

1

THIS DRAWING IS UNPUBLISHED. RELEASED FOR PUBLICATION. ALL RIGHTS RESERVED.

REVISIONS					
P	LYR	DESCRIPTION	DATE	DWN	APVD
-		SEE SHEET 1	-	-	-



0.75

SCALE 40:1
RECOMMENDED PCB FOOTPRINT AND METAL MASK
TOL. ±0.02

NOTE:

- 1 MATERIAL: SUS301 K1500, THK: 0.08 mm.
- 2 FINISH:
NICKEL PLATE ALL OVER 0.002 mm~0.0076 mm THK.
GOLD PLATE AREA 0.00025 mm MIN.THK. AT CONTACT AREA;
GOLD PLATE AREA 0.000075~0.0002 mm MIN.THK.
AT SOLDERING AREA.NEED HAVE SEALING PROCESS AFTER PLATING.
- 3 PERMITTED BURR 0.05 mm MAX.
- 4 NFORCE OF 0.40~0.75mm 0.5N MIN.(READ FROM RETURNED CURVE)
- 5 WORKING POSITION: 0.4~0.75 mm.
- 6 LLCR: 30 mΩ MAX. AT INITIAL, AND THE CHANGED LLCR NOT GREATER THAN 20 mΩ AFTER TEST.
- 7 KEY CHARACTERISTIC PER STANDARD OPERATING PROCEDURE 407-55.
- 8 DURABILITY: 1500 CYCLES, THE NORMAL FORCE IS 0.4N MIN (READ FROM RETURN CURVE)
- 9 FEATURES IDENTIFIED AS STATISTICALLY TOLERANCED (ST) SHALL BE PRODUCED WITH STATISTICAL PROCESS CONTROLS.
- 10 SALT SPRAY SPEC: EIA-364-26B TEST CONDITION B 24H. PUT THE PRODUCT FLAT IN SALT SPRAY BOX. CONTACT AREA HAS NO CORROSION, DISCOLORING AND OTHER DEFECT.
- 11 FINISH:
NICKEL PLATE ALL OVER 0.002 mm~0.0076 mm THK.
GOLD PLATE AREA 0.0006 mm MIN.THK. AT CONTACT AREA;
GOLD PLATE AREA 0.000075~0.0002 mm MIN.THK.
AT SOLDERING AREA.NEED HAVE SEALING PROCESS AFTER PLATING.

THIS DRAWING IS A CONTROLLED DOCUMENT.		DWN: JONE JJ 02JAN2018	TE Connectivity	
DIMENSIONS: mm		CHK: WENKE HL 02JAN2018		
TOLERANCES UNLESS OTHERWISE SPECIFIED:		APVD: WENKE HL 02JAN2018	NAME: 1.15H LOWER PROFILE SPRING FINGER	
		PRODUCT SPEC	SIZE: A2	
MATERIAL: -		APPLICATION SPEC	CAGE CODE: -	
FINISH: -		WEIGHT: 0.004g	DRAWING NO: C=2329497	
ANGLES: 45°		CUSTOMER DRAWING	RESTRICTED TO: -	
		SCALE: 24:1	SHEET: 2 OF 3	
			REV: A2	

4

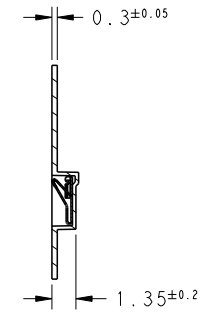
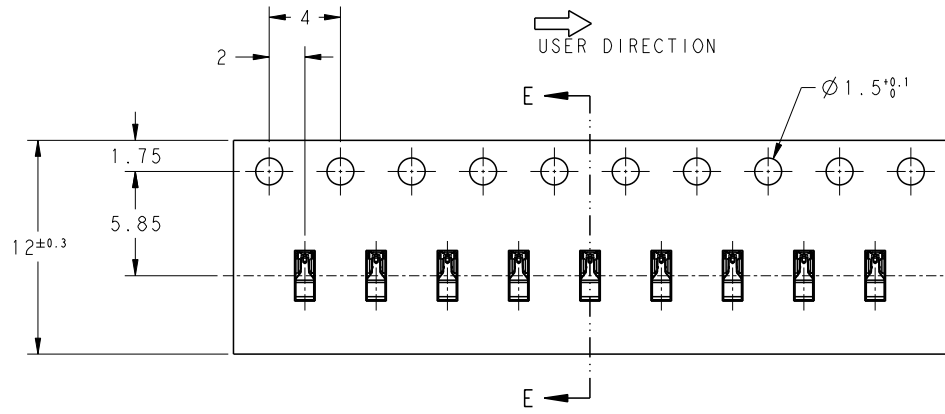
3

2

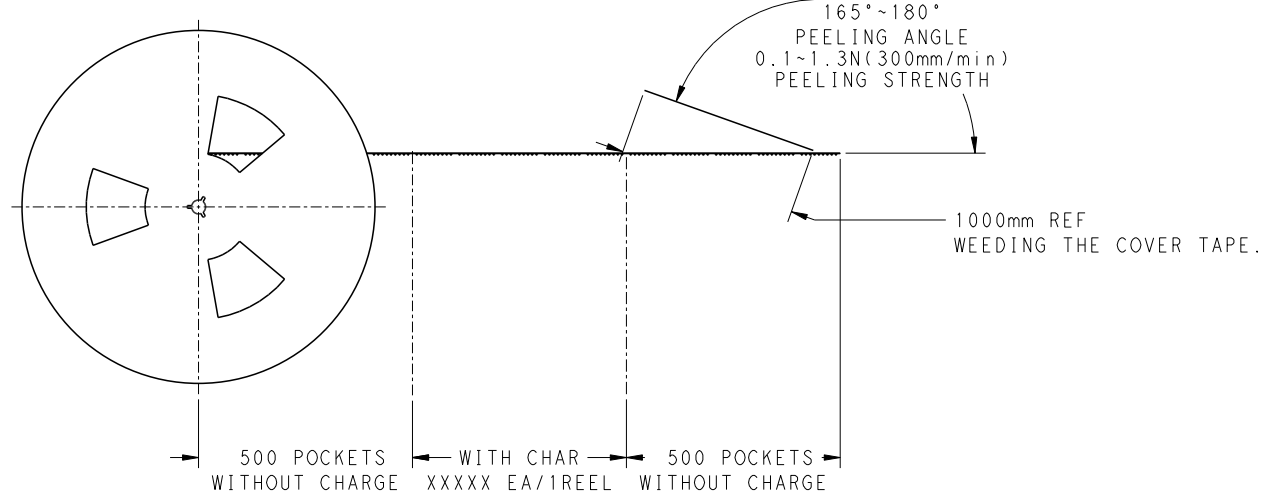
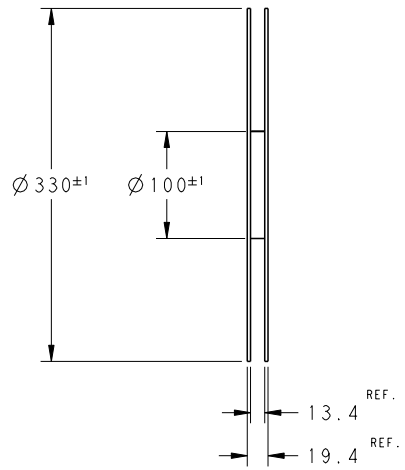
1

THIS DRAWING IS UNPUBLISHED. RELEASED FOR PUBLICATION. ALL RIGHTS RESERVED.

REVISIONS				
P	LTN	DESCRIPTION	DATE	APVD
-	-	SEE SHEET 1	-	-



SECTION E-E



NOTE:
PACKAGE QUANTITY: 10,000 PCS PER REEL.

THIS DRAWING IS A CONTROLLED DOCUMENT.		DWN: JONE JJ 02JAN2018	TE TE Connectivity	
DIMENSIONS: mm		CHK: WENKE HL 02JAN2018		
TOLERANCES UNLESS OTHERWISE SPECIFIED: ± 0.1		APVD: WENKE HL 02JAN2018	NAME: 1.15H LOWER PROFILE SPRING FINGER	
<ul style="list-style-type: none"> Ø-PLC ± 0.1 PLC ± 0.1 PLC ± 0.01 PLC ± 0.001 ANGLES ± 0.0001 FINISH 35° 		PRODUCT SPEC	SIZE: A2	
MATERIAL: -		APPLICATION SPEC	CAGE CODE: -	DRAWING NO: C=2329497
		WEIGHT: 0.004g	SCALE: 24:1	SHEET: 3 OF 3
		CUSTOMER DRAWING	REV: A2	

X-ON Electronics

Largest Supplier of Electrical and Electronic Components

Click to view similar products for [EMI Gaskets, Sheets, Absorbers & Shielding](#) category:

Click to view products by [TE Connectivity](#) manufacturer:

Other Similar products are found below :

[8101010140](#) [8563-0090-89](#) [1194-7.7X10](#) [1245-34"X18YD](#) [1267](#) [1345-3/8x18yrd](#) [1554907-1](#) [2320002000](#) [2320014700](#) [SG293037DS](#)
[ST005PCN50](#) [55005107](#) [38M4040AA0606](#) [46J5N02020.NN00](#) [1125-8X10](#) [1126X1"](#) [1170-3/4X18YDS](#) [1170-7.7x10](#) [1183-12"X18YD](#) [6-](#)
[34T-BD-0.315](#) [SG125187D-24](#) [SG125250R-24](#) [SG187375R-24](#) [SG284050DS](#) [8402010540](#) [KIT TECH CLIP](#) [1194](#) [10-40450-28S](#) [1245](#)
[1267-1/2"x18yd](#) [46J8501020.NN00](#) [1170-1/4"x18yd](#) [AL-36FR-1x54.5](#) [3013310A](#) [1194X1"](#) [3020604](#) [3021302](#) [3031313](#) [260709](#) [3021310](#) [6-](#)
[34UT-070-BD-16](#) [303076048](#) [46J5N03020.NN00](#) [30206025](#) [30395641](#) [3030403](#) [3690103020](#) [HNY-LT15CU4241](#) [46X7503020.NN00](#)
[46W5E02520.NN00](#)