

THIS DRAWING IS UNPUBLISHED.

RELEASED FOR PUBLICATION

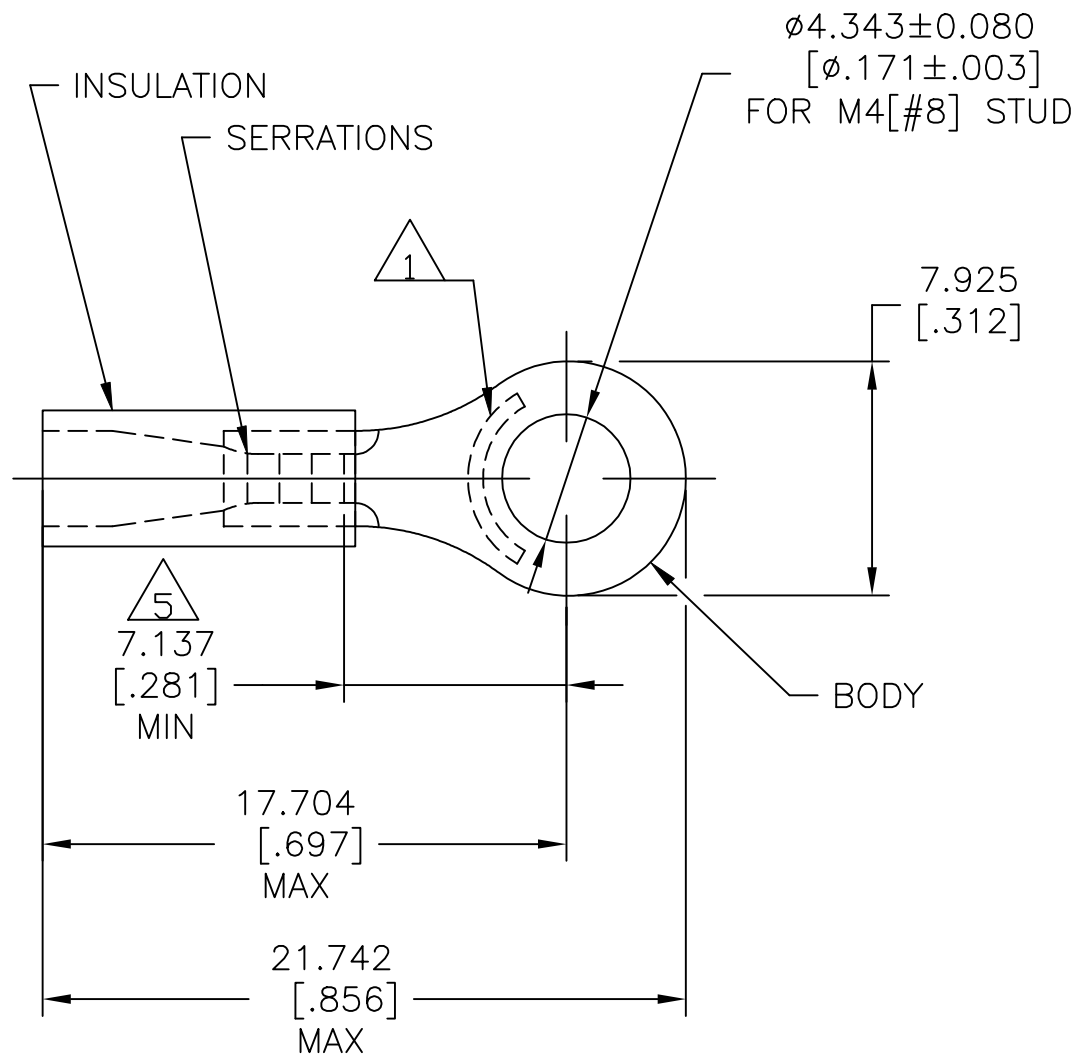
ALL RIGHTS RESERVED.

© COPYRIGHT - By -

REVISIONS

P	LTR	DESCRIPTION	DATE	DWN	APVD
H1		REVISED PER ECO-11-004917	11MAR11	RK	HMR
H2		REVISED PER ECO-17-014338	30MAR2018	RS	DR

<b>AMP</b> WIRE RANGE	Listed FILE E13288	LR7189 Certified
22-16 AWG SOLID OR STRANDED	22-16 AWG SOLID OR STRANDED	22-16 AWG SOLID OR STRANDED



- 1 STAMP AMP 22-18\* 1-2 APPROX AS SHOWN  
22-16 TERMINALS ARE STAMPED 22-18 IN  
ACCORDANCE WITH MILITARY SPEC SAE AS7928  
COMMERCIAL WIRE RANGE IS 22-16
- 2 WIRE INSULATION:  $\phi$ 2.032-3.175 [ $\phi$ .080-.125]
- 3 BODY MATERIAL THK:  $0.787 \pm 0.051$  [ $0.031 \pm 0.002$ ]
- 4 MATERIAL: BODY - CU PER ASTM B152  
INSULATION - PVC
- 5 APPLIES FROM CENTER OF STUD HOLE TO EDGE OF  
METAL WIRE BARREL

5000	ON TAPE, REEL	2-32951-1
1000	LOOSE PIECE	32951
QTY	PACKAGE TYPE	PART NO.

AMP INCORPORATED  
CUSTOMER SERVICE SYSTEMS

MAX RECOMMENDED OPERATING  
TEMPERATURE:

105°C [221°F]

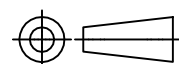
VOLTAGE RATING:  
600V MAX  
(1000V FIXTURE OR SIGN)

CIRCULAR MIL AREA:  
0.26-1.65mm<sup>2</sup> [509-3260]  
SOLID OR STRANDED

THIS DRAWING IS A CONTROLLED DOCUMENT.

DIMENSIONS:  
mm [INCHES]

TOLERANCES UNLESS  
OTHERWISE SPECIFIED:



0 PLC	± -
1 PLC	± -
2 PLC	± -
3 PLC	± 0.127[.005]
4 PLC	± -
ANGLES	± -

MATERIAL



FINISH  
BODY:TIN PER ASTM B545  
INSULATION: COLOR-RED

DWN 08/06/92

DK SCHRUM

CHK 11/10/92

RE HERSEY

APVD 11/10/92

M BARNABA

PRODUCT SPEC

UL 486A-B

APPLICATION SPEC

114-2161

WEIGHT

CUSTOMER DRAWING



TE Connectivity Ltd.

NAME  
TERMINAL, RING TONGUE,  
PLASTI-GRIP,  
WIRE SIZE, 22-16 AWG

SIZE	CAGE CODE	DRAWING NO	RESTRICTED TO
A3	00779	C=32951	-

FOR ADDITIONAL  
PRODUCT INFORMATION OR  
COPIES OF DRAWINGS  
AND TECHNICAL DOCUMENTS

PRODUCT INFORMATION CENTER  
1-800-522-6752

FOR APPLICATION  
TOOLING INFORMATION

TOOLING ASSISTANCE CENTER  
1-800-722-1111

FOR ORDER ENTRY

1-800-526-5142

THIS DRAWING IS A CONTROLLED DOCUMENT FOR  
AMP INCORPORATED. IT IS SUBJECT TO CHANGE  
AND THE CONTROLLING ENGINEERING ORGANIZATION  
SHOULD BE CONTACTED FOR THE LATEST REVISION.

CUSTOMER DRAWING

SCALE 4:1

SHEET 1 of 1

REV H2

## X-ON Electronics

Largest Supplier of Electrical and Electronic Components

*Click to view similar products for [Terminals](#) category:*

*Click to view products by [TE Connectivity](#) manufacturer:*

Other Similar products are found below :

[00-054007-01074-6](#) [00-054007-70206-1](#) [00-054007-70210-8](#) [00-054007-70217-7](#) [00-054007-70226-9](#) [00-054007-70228-3](#) [00-054007-70248-1](#) [00-054007-70256-6](#) [00-054007-70301-3](#) [00-054007-70316-7](#) [0-0320562-0](#) [00-054007-49560-4](#) [00-054007-70209-2](#) [00-054007-70225-2](#) [00-054007-70227-6](#) [00-054007-70231-3](#) [00-054007-70241-2](#) [00-054007-70242-9](#) [00-054007-70244-3](#) [00-054007-70246-7](#) [00-054007-70263-4](#) [00-054007-70288-7](#) [00-054007-70290-0](#) [00-054007-70300-6](#) [00-054007-70304-4](#) [01-2065-1-0216](#) [01-2900-1-04412](#) [00581P0075](#) [600TS-10](#) [60205-1](#) [604200-1](#) [605601-1](#) [60598-1-CUT-TAPE](#) [61314-6-C](#) [61810-3](#) [61-S](#) [61-SN](#) [626-0194](#) [62-NBM-A](#) [62-SN](#) [62-SP](#) [63-S](#) [640179-1](#) [M55155/059I03](#) [M55155/079C01](#) [M55155/099H02](#) [M55155/109H01](#) [M55155/109H02](#) [M55155/12XH05](#) [M55155/16XH02](#)