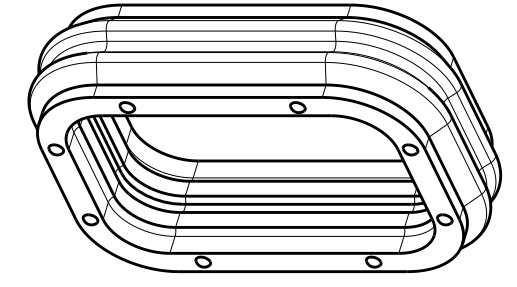
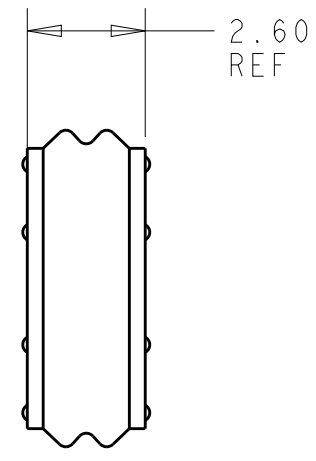
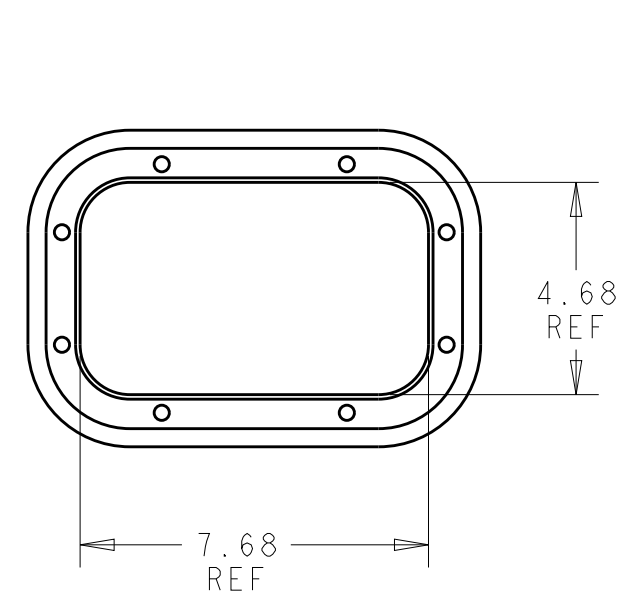
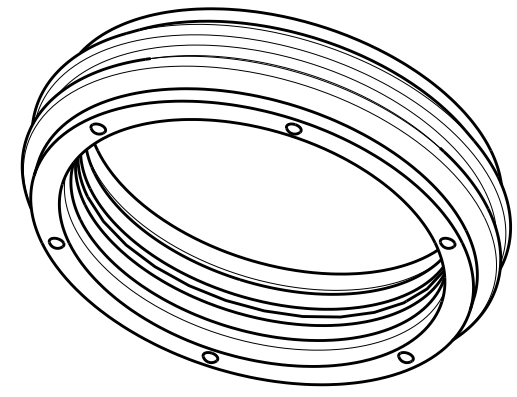
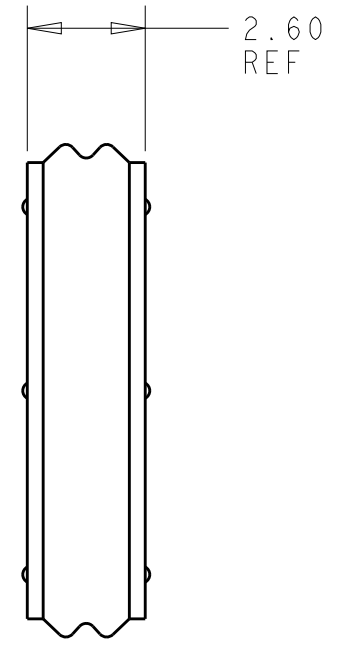
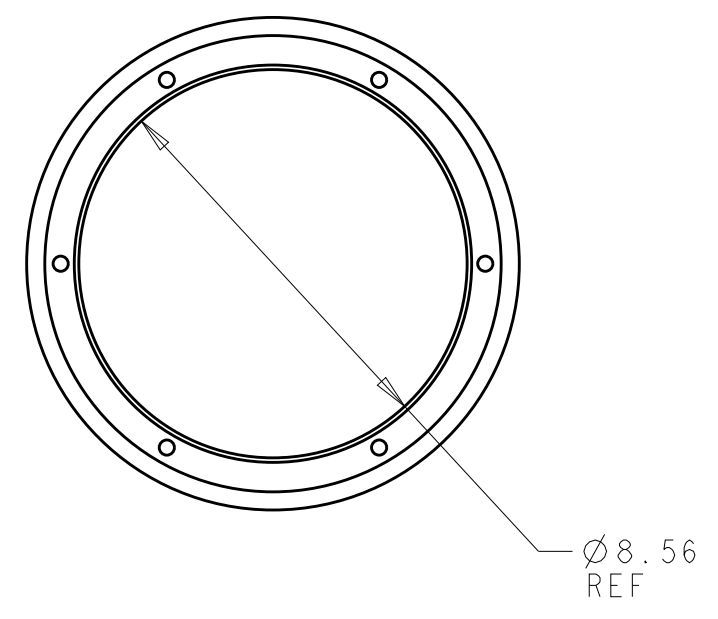


THIS DRAWING IS UNPUBLISHED. RELEASED FOR PUBLICATION 2018
 © COPYRIGHT 2018 BY - ALL RIGHTS RESERVED.

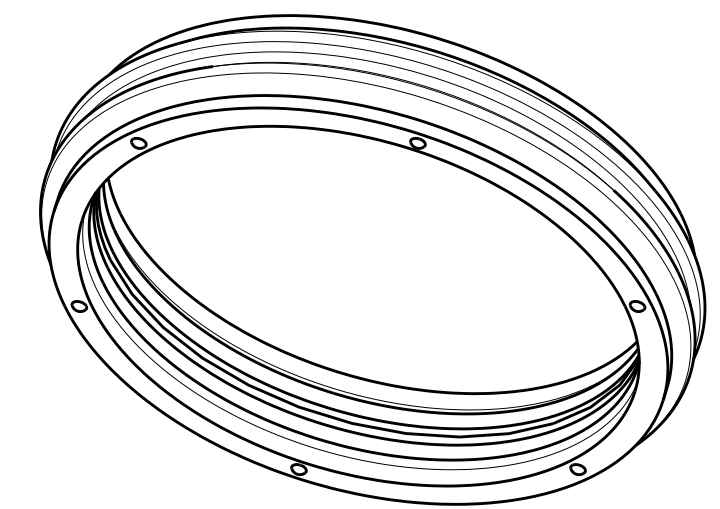
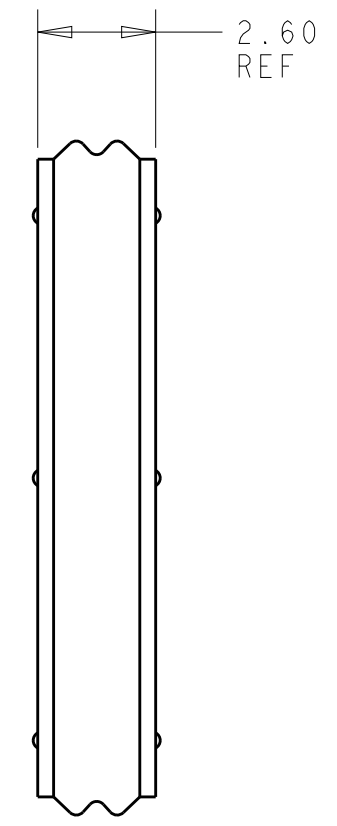
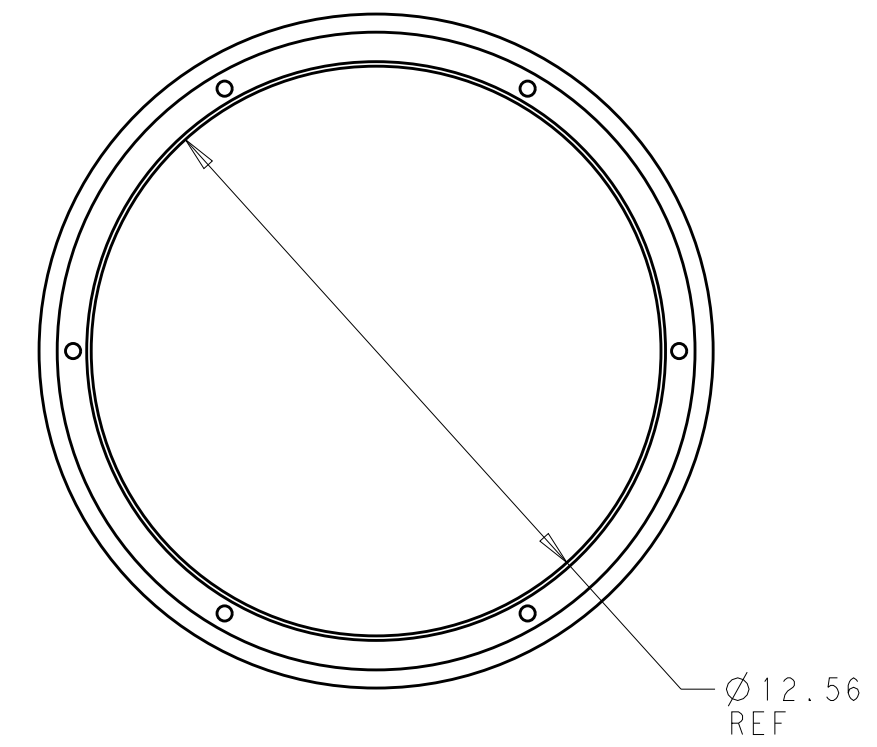
REVISIONS				
P	LTR	DESCRIPTION	DATE	APVD
	A	RELEASED PER ECO-20-000549	13JAN2020	BKW SF



2*2 POSITION



2*3 POSITION



3*4 POSITION

- 1 MATERIAL: SILICONE RUBBER, INHERENTLY LUBRICATED
COLOR: BLUE
- 2. MATING PLUG HOUSING P/N'S: *-2329541-*
- 3 PRELIMINARY PART - NOT RELEASED FOR PRODUCTION
THIS PRODUCT HAS NOT COMPLETED QUALIFICATION TESTING

3*4	3	1-2329542-2
2*3	3	2329542-6
2*2		2329542-4
POSITIONS		PART NUMBER

THIS DRAWING IS A CONTROLLED DOCUMENT.		DWN B. WEAVER 02 JUL 2018	TE Connectivity	
DIMENSIONS: mm		CHK S. FERNANDES 02 JUL 2018		
TOLERANCES UNLESS OTHERWISE SPECIFIED:		APVD C. YI 02 JUL 2018	NAME PERIMETER SEAL, PLUG HOUSING, SDL 2.5 WATERPROOF	
0 PLC ±	1 PLC ±	PRODUCT SPEC 108-143069	SIZE A200779	CAGE CODE C-2329542
2 PLC ±	3 PLC ±	APPLICATION SPEC 114-143067	DRAWING NO	RESTRICTED TO
4 PLC ±	ANGLES ±	WEIGHT	SCALE 6:1	SHEET 1 OF 1
FINISH		CUSTOMER DRAWING	REV A	

X-ON Electronics

Largest Supplier of Electrical and Electronic Components

Click to view similar products for [Headers & Wire Housings](#) category:

Click to view products by [TE Connectivity](#) manufacturer:

Other Similar products are found below :

[892-18-020-10-001101](#) [58102-G61-06LF](#) [582553-1](#) [0009485154](#) [009176003701906](#) [0050291907](#) [LY20-4P-DT1-P1E-BR](#) [02.125.8002.8](#)
[609-3404](#) [61062-3](#) [61082-181009](#) [622-3653LF](#) [63453-116](#) [636-1030](#) [636-1427](#) [636-3427](#) [636-4007](#) [641938-9](#) [641991-4](#) [644827-2](#) [65817-](#)
[010LF](#) [65817-015LF](#) [65863-015LF](#) [66207-023LF](#) [67095-007LF](#) [67601157](#) [68645-018](#) [68648-049](#) [70.362.1628.0](#) [70-4210](#) [70-4226B](#) [70-](#)
[4853B](#) [707-5020](#) [707-5028](#) [71.350.2428.0](#) [71918-208LF](#) [71961-016LF](#) [733-134](#) [733-162](#) [754199-000](#) [760-3052](#) [787-8014-00](#) [79531-3000](#)
[FCN-360C032-B](#) [FCN-367T-T012/H](#) [FCN-723D010/2](#) [80.063.4001.1](#) [800-90-001-10-001000](#) [800-90-010-10-002000](#) [801-43-002-10-013000](#)