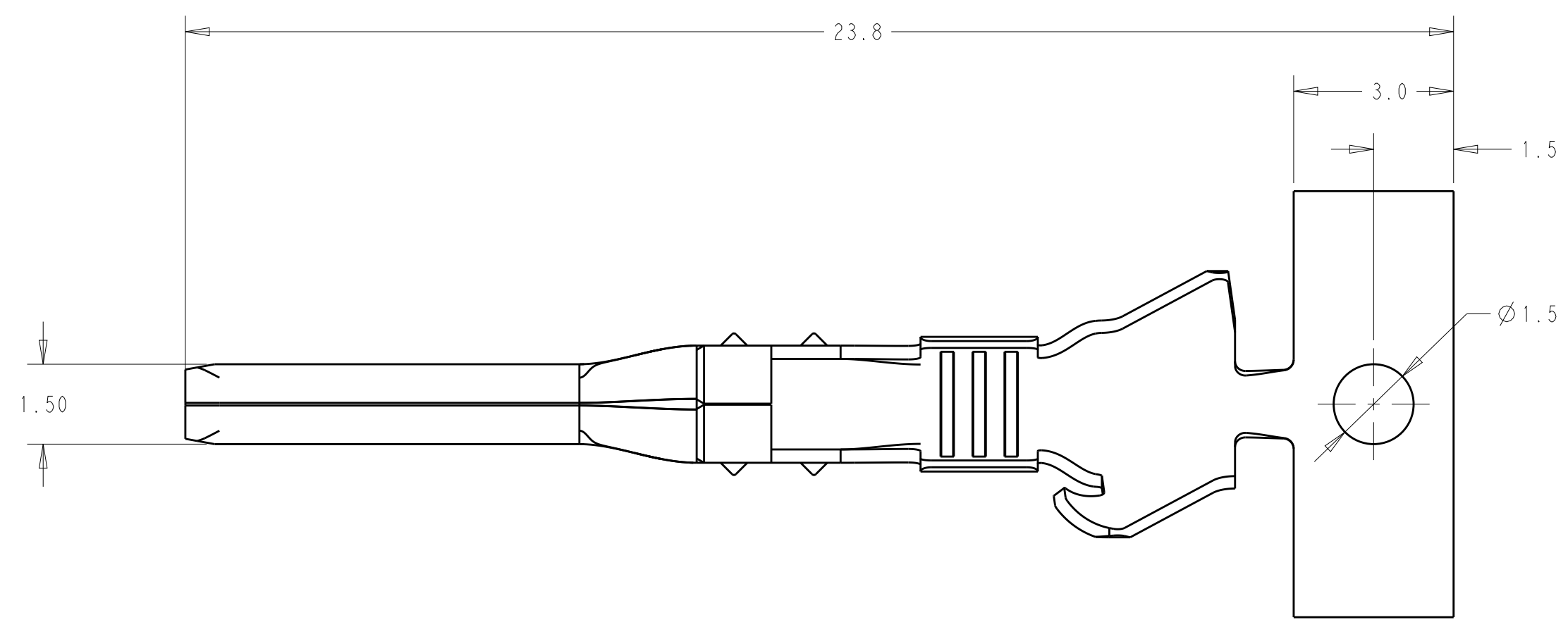
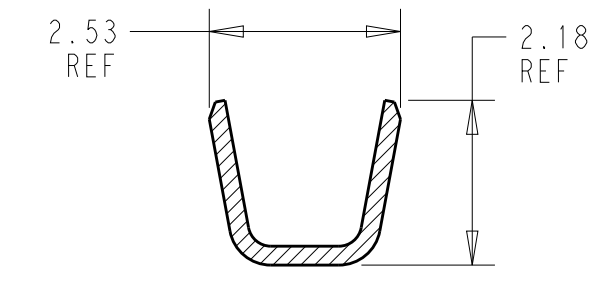
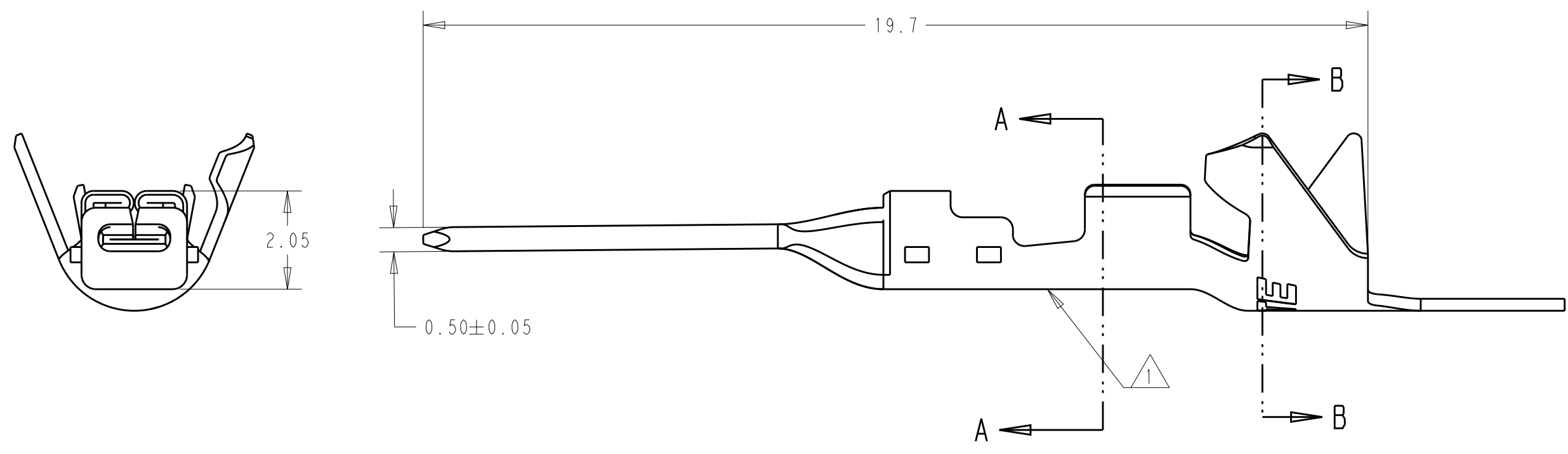


THIS DRAWING IS UNPUBLISHED. RELEASED FOR PUBLICATION 2017
 © COPYRIGHT 2017 BY - TE CONNECTIVITY ALL RIGHTS RESERVED.

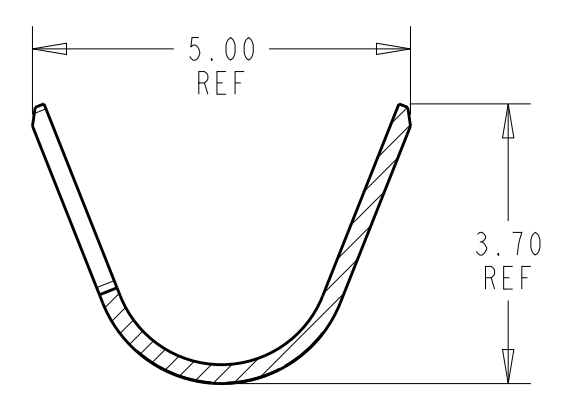
REVISIONS				
P	LTR	DESCRIPTION	DATE	APVD
A		RELEASED PER ECO-19-013549	04SEP2019	BKW GJ
A1		REVISED PER ECR-20-100211	06AUG2020	JP VS



- 1. MATERIAL MARK
- 2. WIRE: AWG 18-20 COPPER STRANDED
- 3. INSULATION DIA RANGE: 1.7~2.8mm
- 4. SUPPLIED CONTINUOUS ON REELS
- 5. PRELIMINARY - NOT FOR PRODUCTION



SECTION A-A



SECTION B-B

MO	HIGH CONDUCTIVE COPPER ALLOY	HIGH TEMP (140°C)	5 2329908-2
M1	BRASS	STANDARD TEMP (105°C)	2329908-1
MATERIAL MARK 1	MATERIAL	TEMPERATURE RATING	PART NUMBER

THIS DRAWING IS A CONTROLLED DOCUMENT.

DWN: 26MAR2018 BASAVARAJA D A	TE Connectivity	NAME: POWER VERSA-LOCK TAB TERMINAL WIRE SEAL 18-20 AWG	
CHK: 26MAR2018 S. FERNANDES		SIZE: A2	RESTRICTED TO: -
APVD: 26MAR2018 C YI		CAGE CODE: -	DRAWING NO: C-2329908
DIMENSIONS: mm	TOLERANCES UNLESS OTHERWISE SPECIFIED:	PRODUCT SPEC: 108-143081	SCALE: 10:1
0 PLC ±	1 PLC ±0.40	APPLICATION SPEC: 114-143082	SHEET 1 OF 1
2 PLC ±0.30	3 PLC ±	WEIGHT: -	REV A1
4 PLC ±	ANGLES ±3°	CUSTOMER DRAWING	
MATERIAL: -	FINISH: -		
SEE TABLE	PRE-PLATED Sn		

X-ON Electronics

Largest Supplier of Electrical and Electronic Components

Click to view similar products for [Heavy Duty Power Connectors](#) category:

Click to view products by [TE Connectivity](#) manufacturer:

Other Similar products are found below :

[647757-1](#) [6643411-1](#) [6646058-2](#) [6646137-1](#) [6646138-1](#) [6646479-1](#) [6646608-1](#) [6646786-1](#) [6646940-1](#) [6651091-1](#) [6651525-1](#) [6651529-1](#)
[6651788-1](#) [696475-1](#) [702-32-01109](#) [703-25-02205](#) [73000005059](#) [73000005642](#) [73080255059](#) [73080965046](#) [765-15-0080A](#) [765-16-0080B](#)
[765-18-0080D](#) [829992-1](#) [902-77-02113](#) [PS00/A0620/6300](#) [PS25/A0420/63](#) [129-1J](#) [1409400](#) [AN0024023](#) [E6374G1](#) [e6389g2](#) [157-43GW8](#)
[MS3117-14AC](#) [1643543-1](#) [1650540-1](#) [1651811-2](#) [1766260-1](#) [1766282-1](#) [1766966-1](#) [1791340000](#) [NLDFT-3-BL-L-S120-M40A](#) [NLDFT-N-](#)
[W-L-C240-M40B](#) [NLS-2-R-C240-M40B](#) [NLS-N-W-C240-M40B](#) [NPS-3-BL-T6](#) [1986615-1](#) [2-1589900-8](#) [2199314-1](#) [KA8102](#)