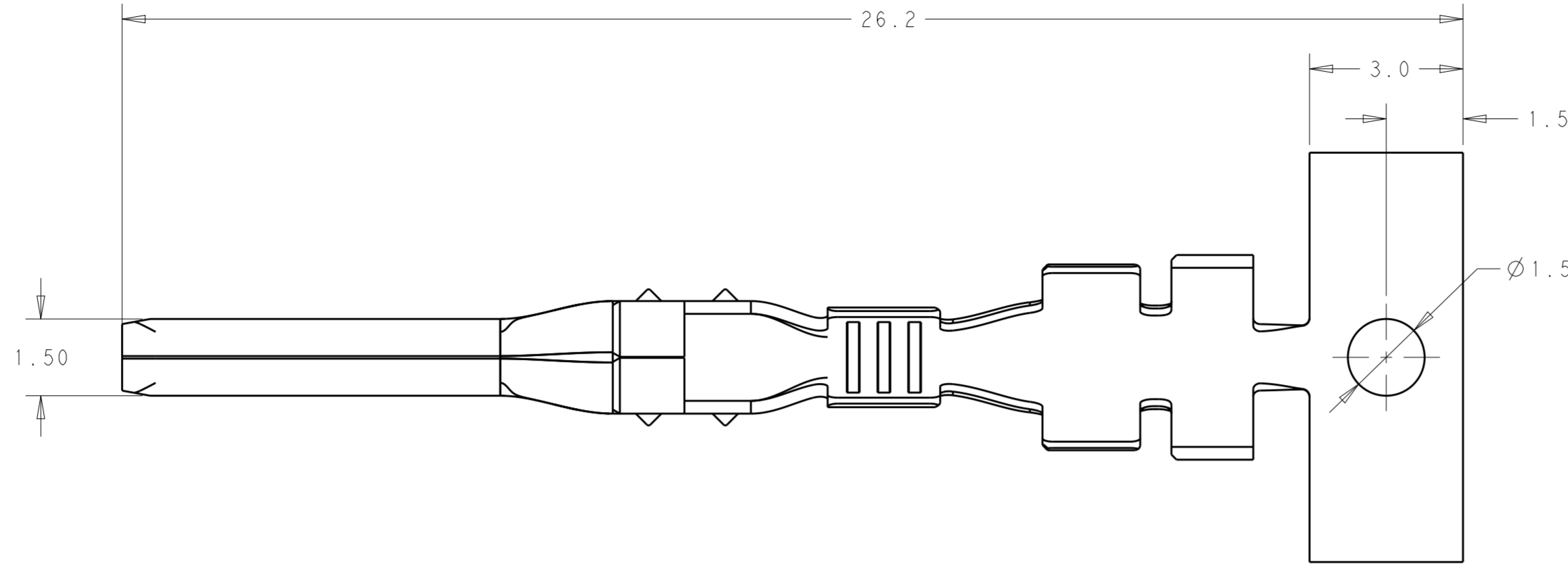


THIS DRAWING IS UNPUBLISHED. RELEASED FOR PUBLICATION 2017
 © COPYRIGHT 2017 BY - TE CONNECTIVITY ALL RIGHTS RESERVED.

REVISIONS					
P	LTR	DESCRIPTION	DATE	DWN	APVD
A		RELEASED PER ECO-18-020025	26DEC2018	BKW	GJ
A1		REVISED PER ECO-19-002431	15FEB2019	BKW	GJ
A2		REVISED PER ECO-19-013371	29AUG2019	BKW	GJ
A3		REVISED PER ECR-20-100211	06AUG2020	JP	VS

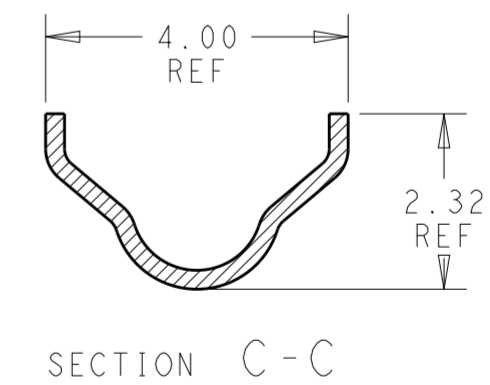
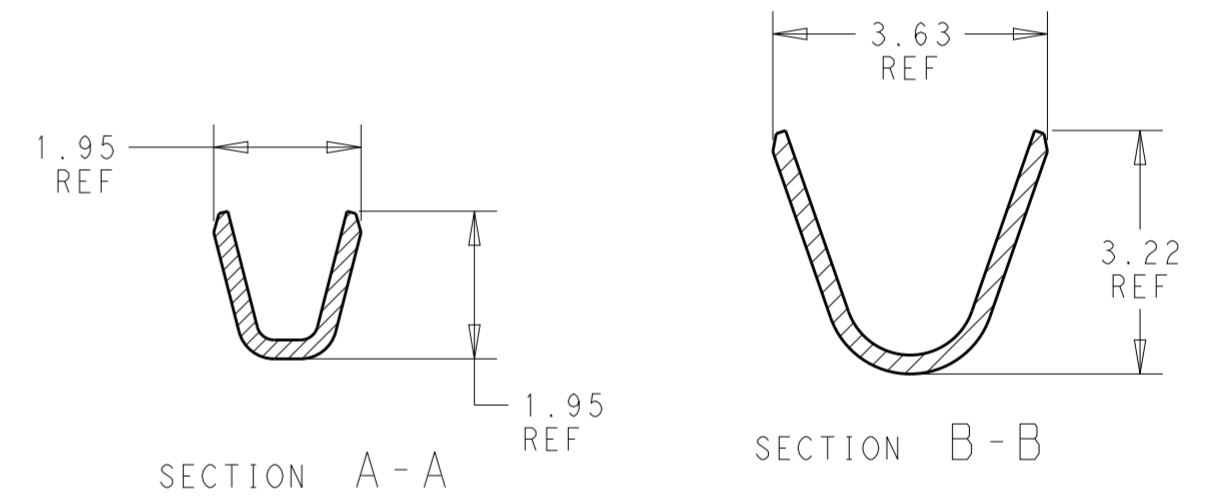
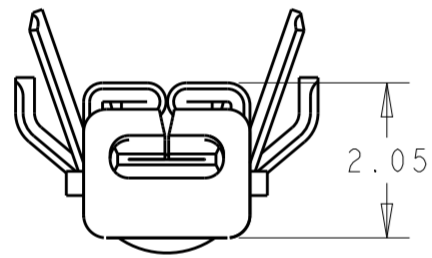
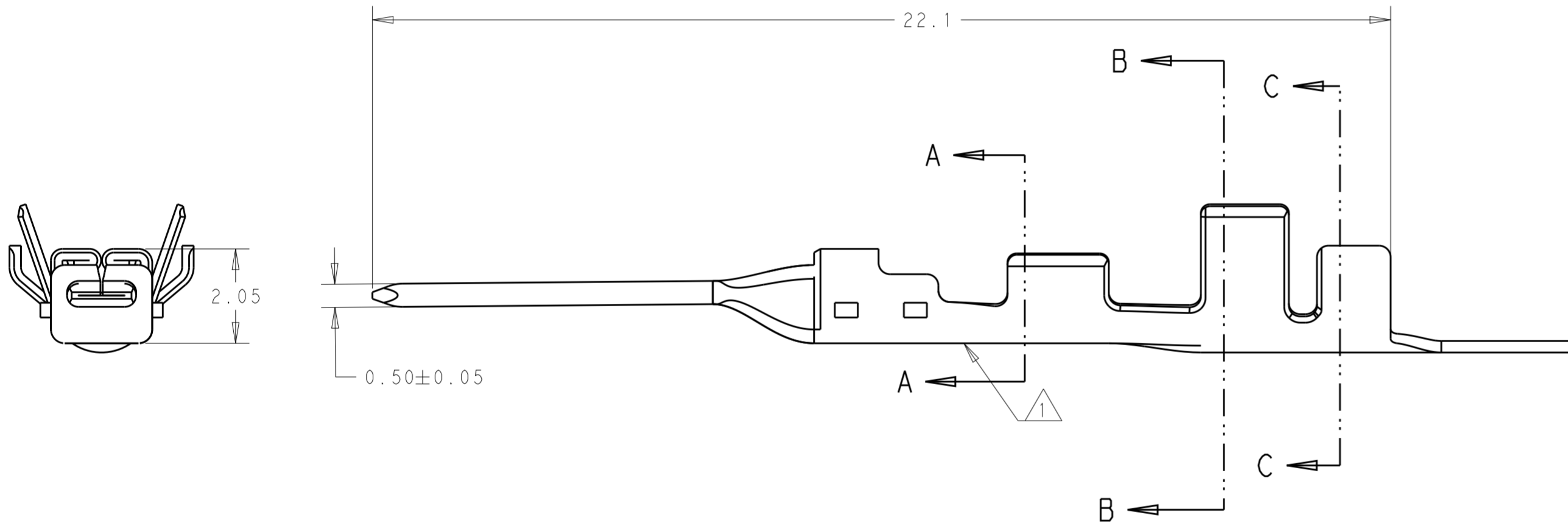


1. MATERIAL MARK

2. RECOMMENDED WIRE RANGE:
AWG 22-26 COPPER STRANDED

3. INSULATION DIAMETER RANGE:
1.3~2.4mm

4. SUPPLIED CONTINUOUS ON A REEL



M1	BRASS	STANDARD TEMP. (105°C)	2329909-1
MATERIAL MARK 1	MATERIAL	TEMPERATURE RATING	PART NUMBER

THIS DRAWING IS A CONTROLLED DOCUMENT.		DWN BASAVARAJA D A 27MAR2018	STE TE Connectivity	
		CHK S. FERNANDES 27MAR2018		
DIMENSIONS: mm		APVD C YI 27MAR2018	NAME POWER VERSA-LOCK TAB TERMINAL UNSEALED 22-26 AWG	
TOLERANCES UNLESS OTHERWISE SPECIFIED: 0 PLC ± 1 PLC ±0.40 2 PLC ±0.30 3 PLC ± 4 PLC ± ANGLES ±3° FINISH		PRODUCT SPEC 108-143081	SIZE A2	
MATERIAL SEE TABLE		APPLICATION SPEC 114-143082	CAGE CODE -	DRAWING NO C-2329909
PRE-PLATED Sn		WEIGHT -	RESTRICTED TO -	SCALE 10:1 SHEET 1 OF 1 REV A3
		CUSTOMER DRAWING		

X-ON Electronics

Largest Supplier of Electrical and Electronic Components

Click to view similar products for [Heavy Duty Power Connectors](#) category:

Click to view products by [TE Connectivity](#) manufacturer:

Other Similar products are found below :

[647757-1](#) [6643411-1](#) [6646058-2](#) [6646137-1](#) [6646138-1](#) [6646479-1](#) [6646608-1](#) [6646786-1](#) [6646940-1](#) [6651091-1](#) [6651525-1](#) [6651529-1](#)
[6651788-1](#) [696475-1](#) [702-32-01109](#) [703-25-02205](#) [73000005059](#) [73000005642](#) [73080255059](#) [73080965046](#) [765-15-0080A](#) [765-16-0080B](#)
[765-18-0080D](#) [829992-1](#) [902-77-02113](#) [PS00/A0620/6300](#) [PS25/A0420/63](#) [129-1J](#) [1409400](#) [AN0024023](#) [E6374G1](#) [e6389g2](#) [157-43GW8](#)
[MS3117-14AC](#) [1643543-1](#) [1650540-1](#) [1651811-2](#) [1766260-1](#) [1766282-1](#) [1766966-1](#) [1791340000](#) [NLDFT-3-BL-L-S120-M40A](#) [NLDFT-N-](#)
[W-L-C240-M40B](#) [NLS-2-R-C240-M40B](#) [NLS-N-W-C240-M40B](#) [NPS-3-BL-T6](#) [1986615-1](#) [2-1589900-8](#) [2199314-1](#) [KA8102](#)