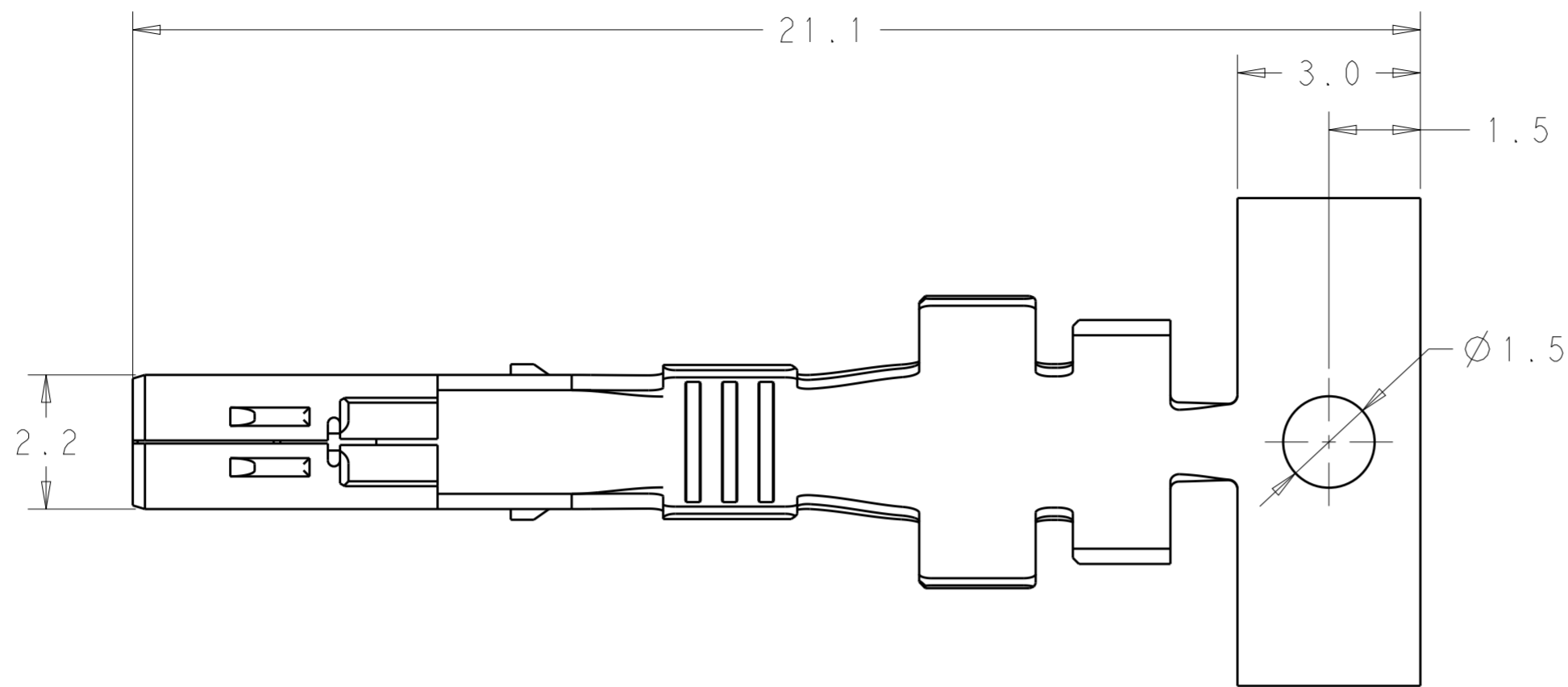
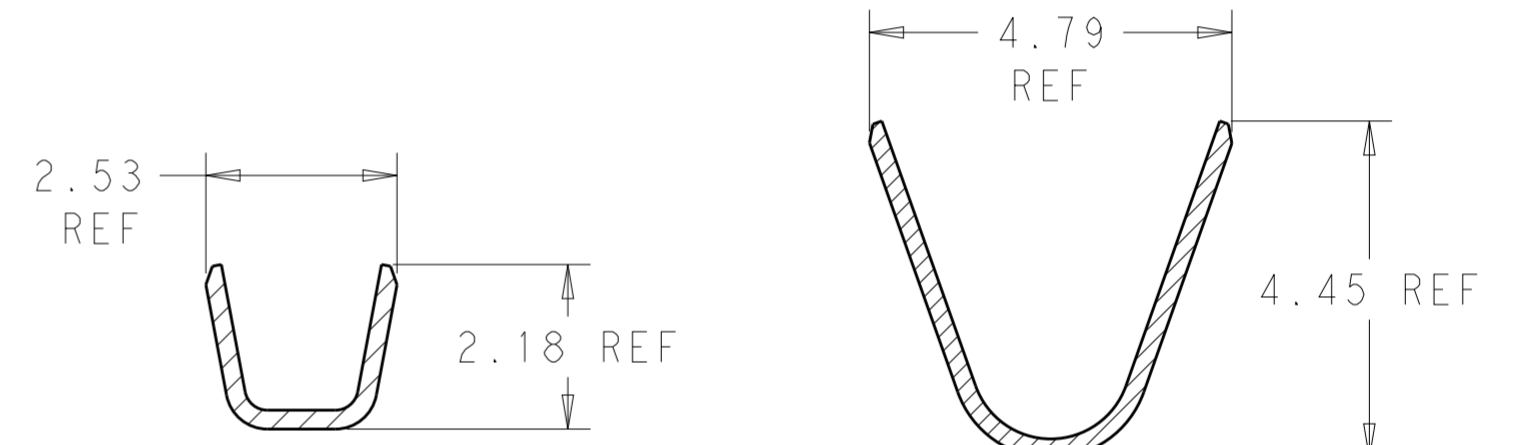
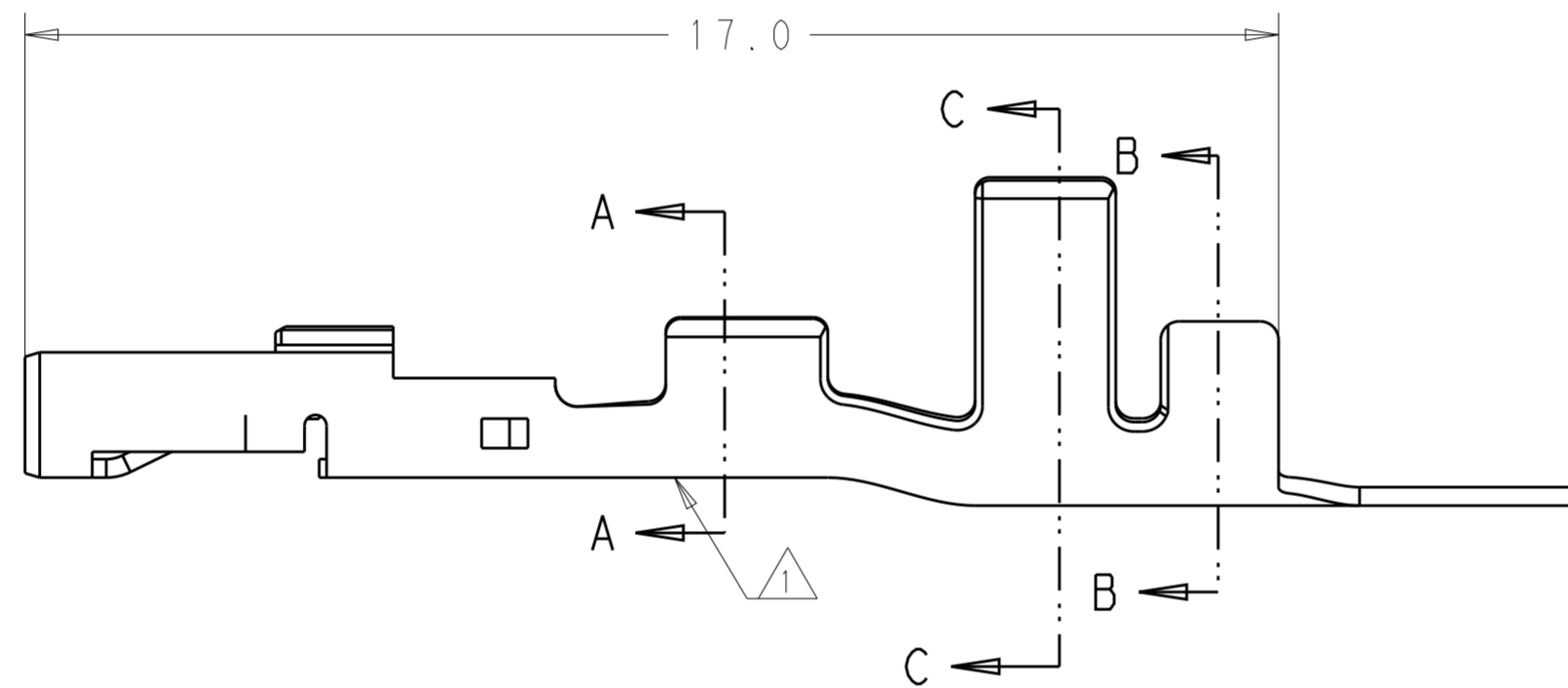
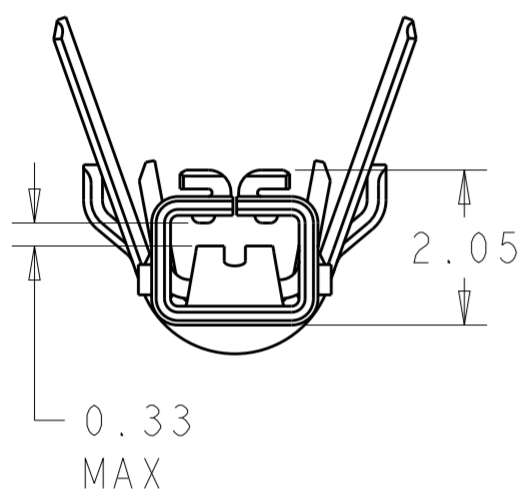


THIS DRAWING IS UNPUBLISHED. RELEASED FOR PUBLICATION  
 © COPYRIGHT copyright.dBTe- ALL RIGHTS RESERVED.

REVISIONS					
P	LTR	DESCRIPTION	DATE	DWN	APVD
A		RELEASED PER ECO-18-020025	26DEC2018	BKW	GJ
A1		REVISED PER ECO-19-002431	15FEB2019	BKW	GJ
A2		REVISED PER ECO-19-013371	29AUG2019	BKW	GJ
A3		REVISED PER ECR-20-100211	05AUG2020	JP	VS

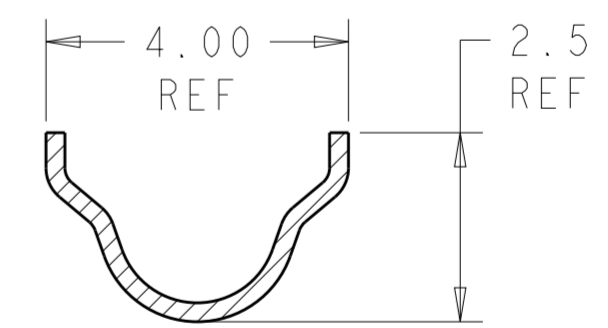


- 1 MATERIAL MARK
- 2. RECOMMENDED WIRE RANGE: 18-20 AWG COPPER STRANDED & 2x22 AWG COPPER STRANDED.
- 3. INSULATION DIAMETER RANGE: 18-20 AWG - 1.7~2.8  
2x22 AWG - 1.6-2.3
- 4. SUPPLIED CONTINUOUS ON A REEL
- 5 PRELIMINARY - NOT FOR PRODUCTION



SECTION A-A

SECTION C-C



SECTION B-B

M0	HIGH CONDUCTIVE COPPER ALLOY	HIGH TEMP (140°C)	5 2329912-2
M2	COPPER ALLOY	STANDARD TEMP. (105°C)	2329912-1
MATERIAL MARK	MATERIAL	TEMPERATURE RATING	PART NUMBER

THIS DRAWING IS A CONTROLLED DOCUMENT.		DWN 27MAR2018 BASAVARAJA D A	<b>STE</b> TE Connectivity	
		CHK 27MAR2018 S. FERNANDES		
DIMENSIONS: mm		APVD 27MAR2018 C YI	NAME POWER VERSA-LOCK REC TERMINAL UNSEALED 18-20 AWG, 2x22 AWG	
TOLERANCES UNLESS OTHERWISE SPECIFIED: 0 PLC ± 1 PLC ±0.40 2 PLC ±0.30 3 PLC ± 4 PLC ± ANGLES ±1° FINISH		PRODUCT SPEC 108-143081	SIZE A2	
MATERIAL SEE TABLE		APPLICATION SPEC 114-143082	CAGE CODE -	DRAWING NO C-2329912
PRE-PLATED Sn		WEIGHT -	RESTRICTED TO -	SCALE 5:1
		CUSTOMER DRAWING	SHEET 1	OF 1
			REV A3	

## X-ON Electronics

Largest Supplier of Electrical and Electronic Components

*Click to view similar products for [Heavy Duty Power Connectors](#) category:*

*Click to view products by [TE Connectivity](#) manufacturer:*

Other Similar products are found below :

[6646058-2](#) [6646137-1](#) [6646138-1](#) [6646940-1](#) [6651091-1](#) [6651525-1](#) [6651529-1](#) [696475-1](#) [702-32-01109](#) [73080255059](#) [73080965046](#)  
[7310205040001](#) [765-16-0080B](#) [765-18-0080D](#) [902-77-02113](#) [PS00/A0620/6300](#) [AN0024023](#) [154-42B7WM250](#) [MS3117-14AC](#) [1643543-1](#)  
[1766966-1](#) [1791340000](#) [NLDFT-3-BL-L-S120-M40A](#) [NLDFT-N-W-L-C240-M40B](#) [1926015-1](#) [NLS-3-BL-C240-M40B](#) [NLS-N-W-C240-](#)  
[M40B](#) [NPS-3-BL-T6](#) [2-1589900-8](#) [9300480317](#) [294-0091-01100](#) [296-0040-01100](#) [1-6609148-0](#) [A32595-0049](#) [1766249-1](#) [19000005132](#)  
[1926016-1](#) [1-966831-8](#) [AN0024202](#) [AN0264023](#) [279-0841-10100A](#) [281-0334-00100A](#) [RMSB4](#) [419-2083-301](#) [LCDX4/0-14B-X](#) [075-8519-](#)  
[001](#) [078238-1613](#) [07.470.3256.0](#) [09000005288](#) [09140240311](#)