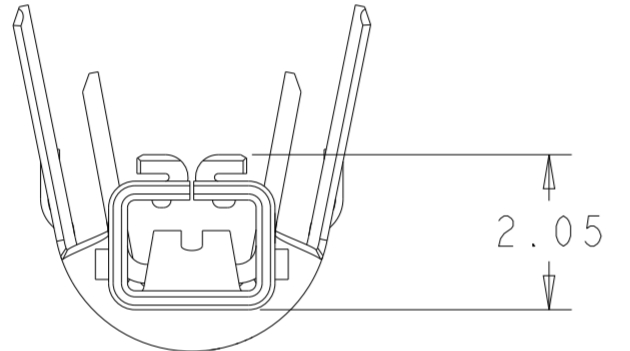
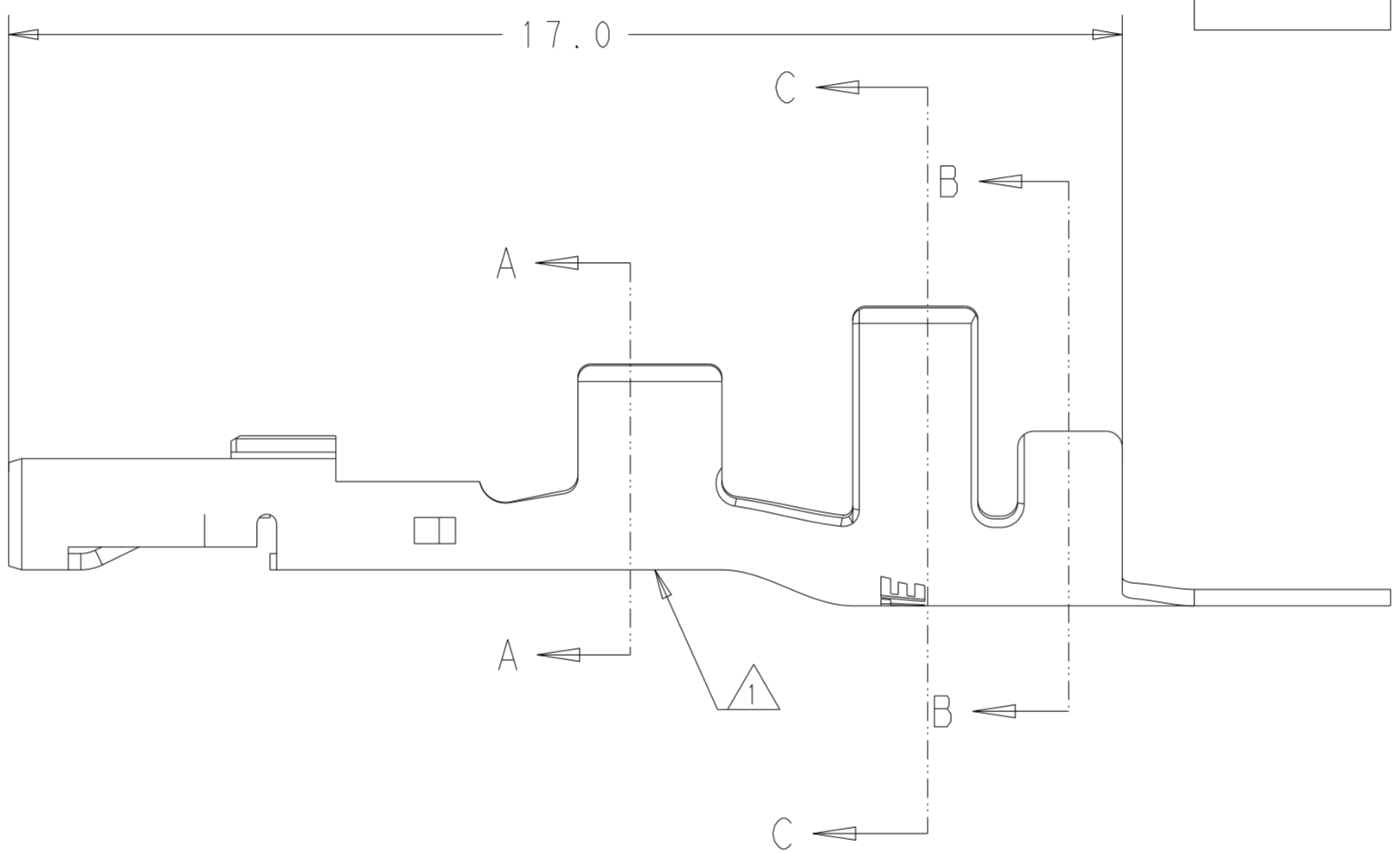
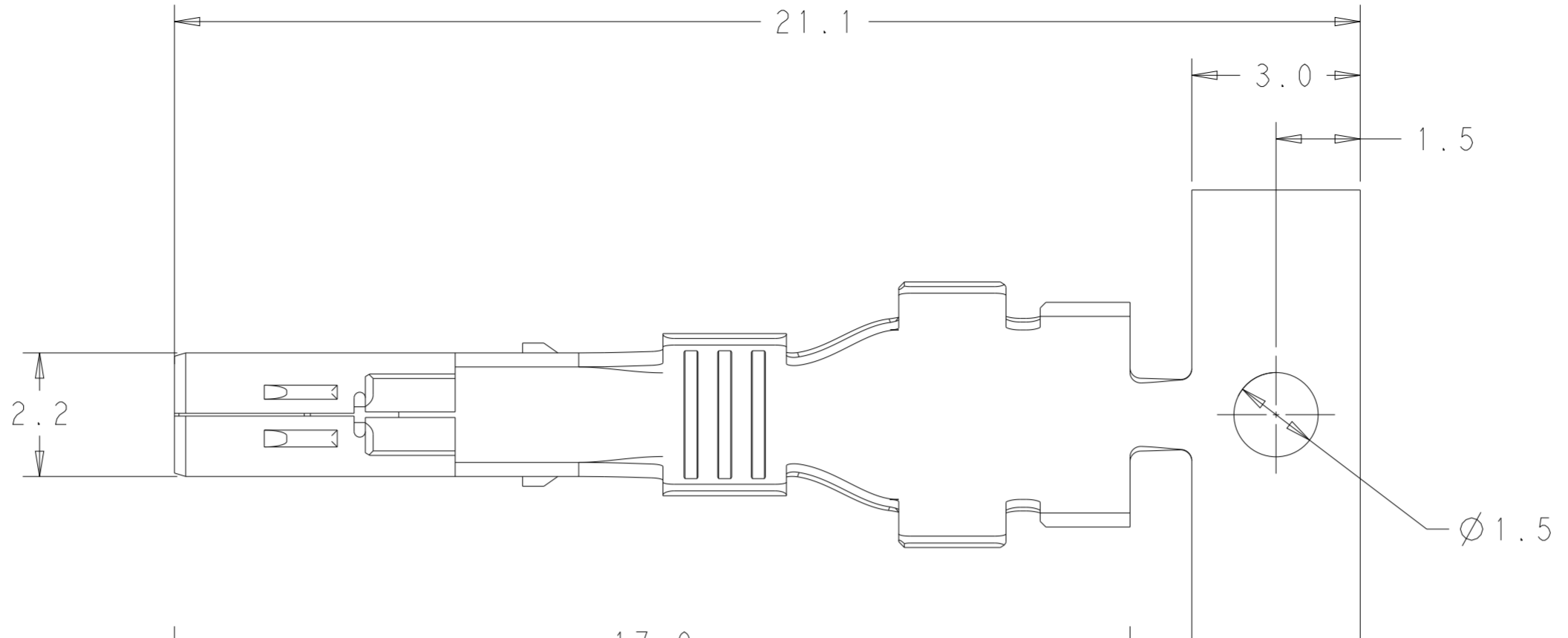
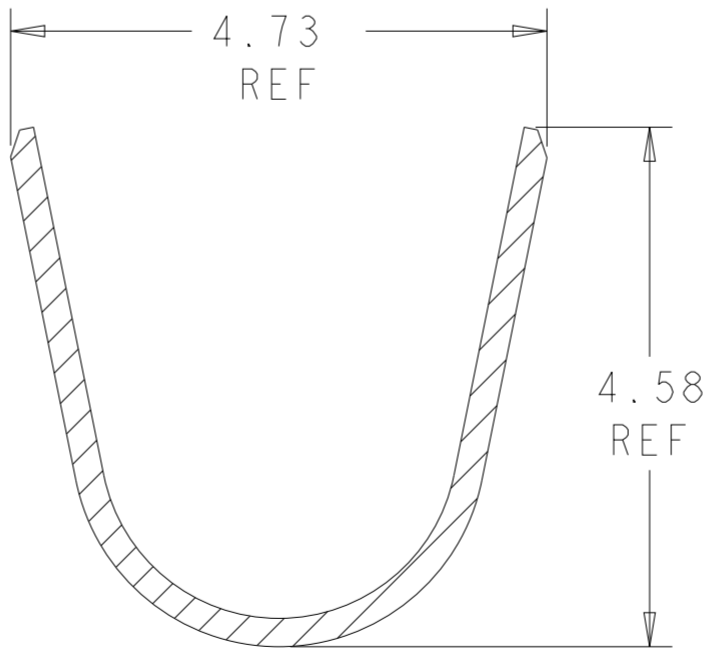
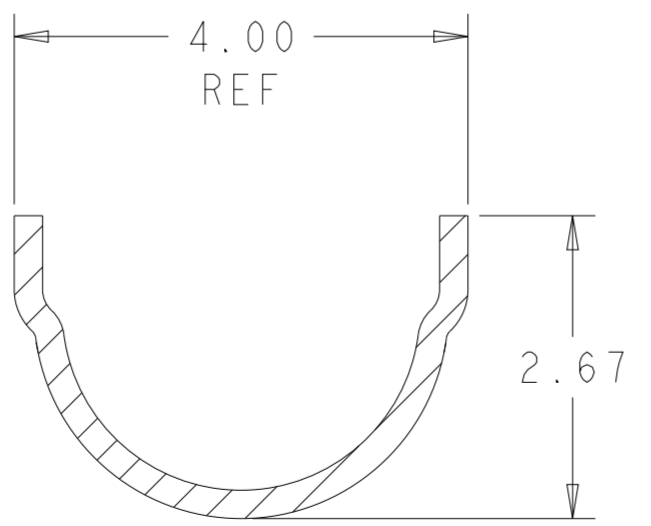
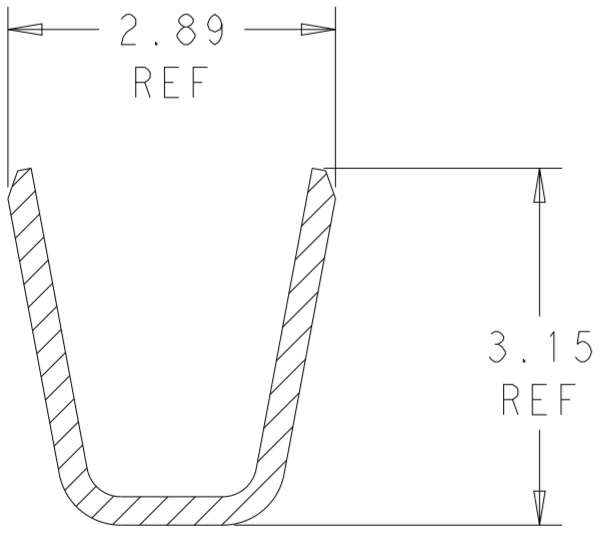


THIS DRAWING IS UNPUBLISHED. RELEASED FOR PUBLICATION
 © COPYRIGHT copyright.dBTe ALL RIGHTS RESERVED.

REVISIONS				
P	LTR	DESCRIPTION	DATE	APVD



- 1 MATERIAL MARK
- 2. WIRE RANGE: 14-16 AWG COPPER STRANDED.
- 3. INSULATION RANGE: 2.3~3.5
- 4 THIS PRODUCT HAS NOT COMPLETED QUALIFICATION TESTING
- 5 PRELIMINARY - NOT FOR PRODUCTION THIS PRODUCT HAS NOT COMPLETED QUALIFICATION TESTING



SECTION A-A
SCALE 15:1

SECTION B-B
SCALE 15:1

SECTION C-C
SCALE 15:1

M0	HIGH CONDUCTIVE COPPER ALLOY	5 2329913-2
M2	COPPER ALLOY	4 2329913-1
MATERIAL MARK 1		PART NUMBER

THIS DRAWING IS A CONTROLLED DOCUMENT.

DIMENSIONS: mm	TOLERANCES UNLESS OTHERWISE SPECIFIED:	DWN SREERAJ K R 12 JAN 2022	TE Connectivity
	0 PLC ±	CHK DAVID SWARTZ 12 JAN 2022	
	1 PLC ±0.40	APVD VINAY 12 JAN 2022	
	2 PLC ±0.30	PRODUCT SPEC 108-143081	
MATERIAL	FINISH	APPLICATION SPEC 114-143082	NAME POWER VERSA-LOCK REC TERMINAL UNSEALED 14-16 AWG SIZE A2 CAGE CODE - DRAWING NO C-2329913 RESTRICTED TO - WEIGHT - CUSTOMER DRAWING SCALE 10:1 SHEET 1 OF 1 REV A

X-ON Electronics

Largest Supplier of Electrical and Electronic Components

Click to view similar products for [Heavy Duty Power Connectors](#) category:

Click to view products by [TE Connectivity](#) manufacturer:

Other Similar products are found below :

[6646058-2](#) [6646137-1](#) [6646138-1](#) [6646940-1](#) [6651091-1](#) [6651525-1](#) [6651529-1](#) [696475-1](#) [702-32-01109](#) [73080255059](#) [73080965046](#)
[7310205040001](#) [765-16-0080B](#) [765-18-0080D](#) [902-77-02113](#) [PS00/A0620/6300](#) [AN0024023](#) [154-42B7WM250](#) [MS3117-14AC](#) [1643543-1](#)
[1766966-1](#) [1791340000](#) [NLDFT-3-BL-L-S120-M40A](#) [NLDFT-N-W-L-C240-M40B](#) [1926015-1](#) [NLS-3-BL-C240-M40B](#) [NLS-N-W-C240-](#)
[M40B](#) [NPS-3-BL-T6](#) [2-1589900-8](#) [9300480317](#) [294-0091-01100](#) [296-0040-01100](#) [1-6609148-0](#) [A32595-0049](#) [1766249-1](#) [19000005132](#)
[1926016-1](#) [1-966831-8](#) [AN0024202](#) [AN0264023](#) [279-0841-10100A](#) [281-0334-00100A](#) [RMSB4](#) [419-2083-301](#) [LCDX4/0-14B-X](#) [075-8519-](#)
[001](#) [078238-1613](#) [07.470.3256.0](#) [09000005288](#) [09140240311](#)