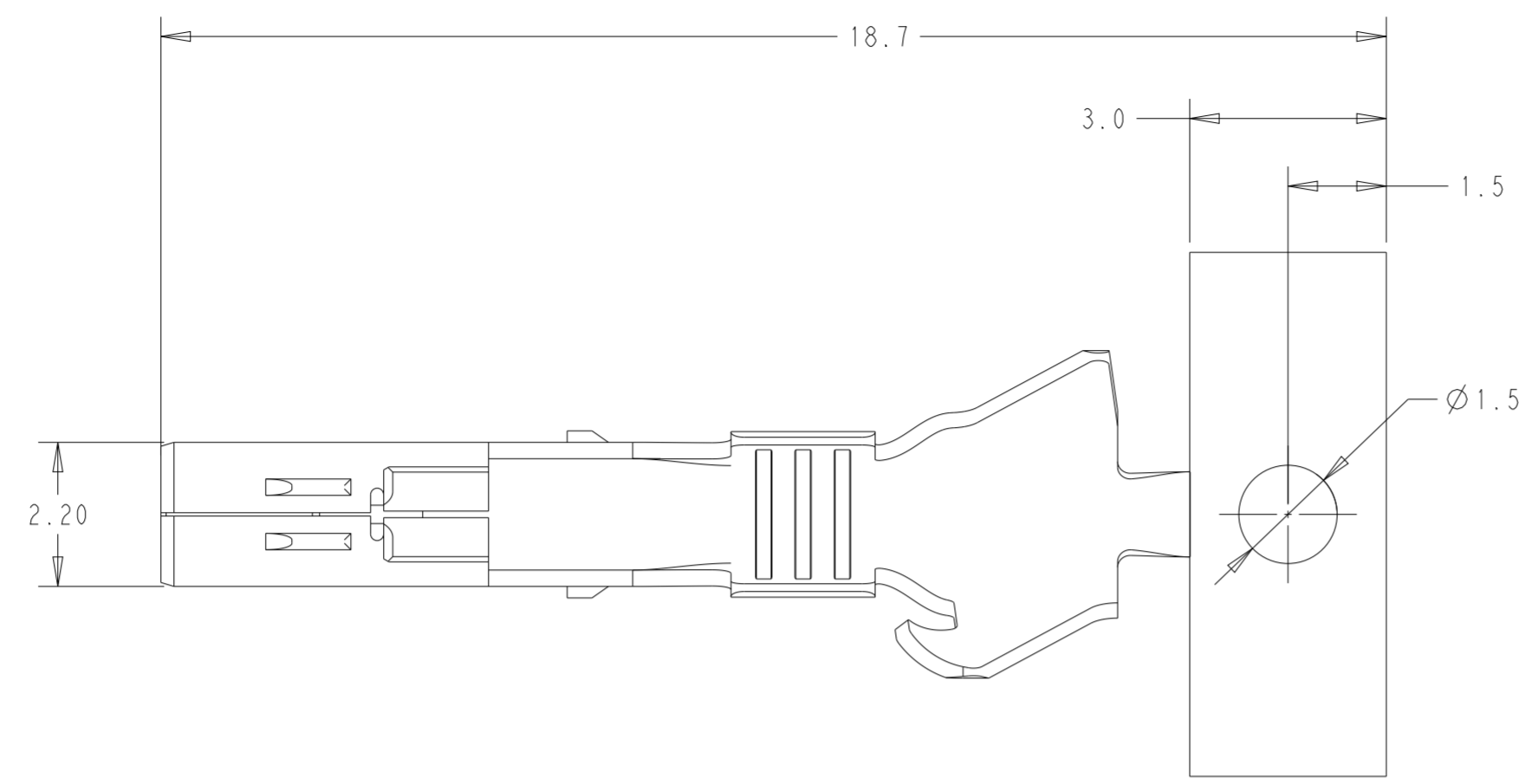
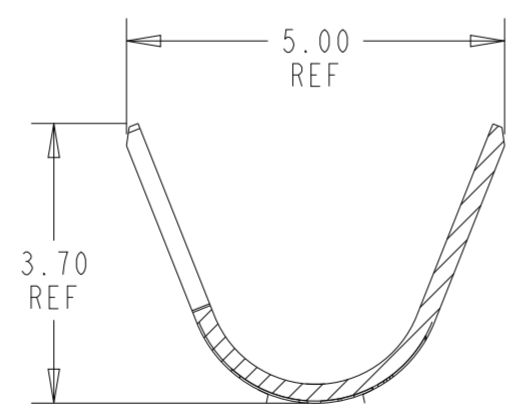
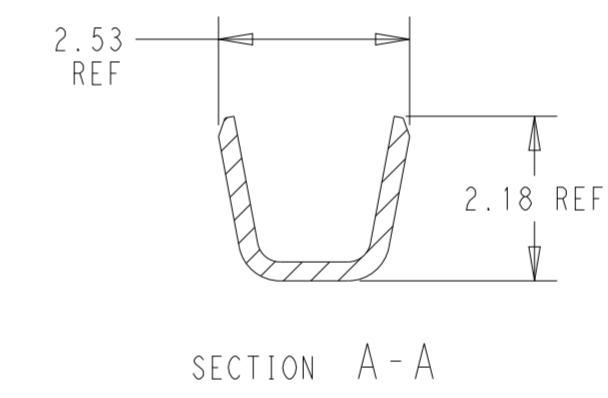
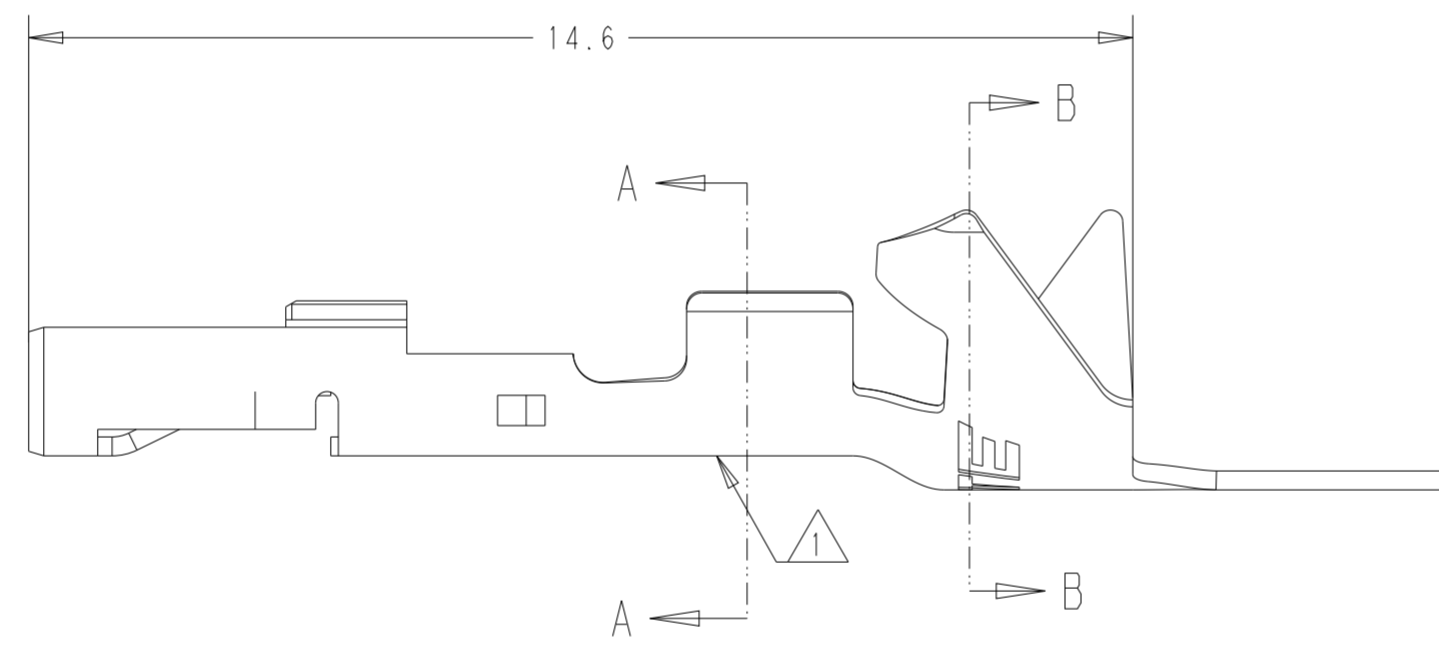
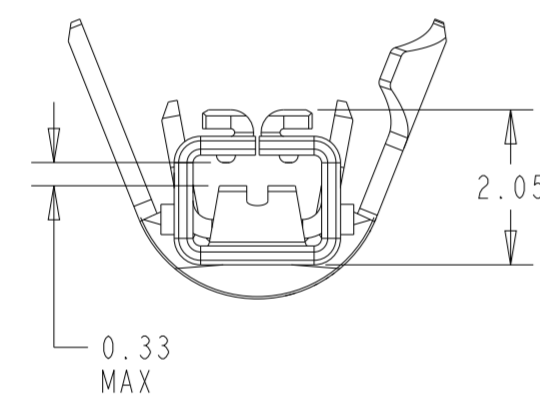


THIS DRAWING IS UNPUBLISHED. RELEASED FOR PUBLICATION
 © COPYRIGHT copyright.dBTe- ALL RIGHTS RESERVED.

REVISIONS				
P	LTR	DESCRIPTION	DATE	APVD
A		RELEASED PER ECO-19-013549	04SEP2019	BKW GJ
A1		REVISED PER ECR-20-100211	06AUG2020	JP VS
A2		REVISED PER ECR-21-107670	20JUL2021	SS VS



- 1 MATERIAL MARK
- 2. WIRE RANGE: 18-20 AWG COPPER STRANDED.
- 3. INSULATION RANGE: 1.7~2.8mm
- 4. SUPPLIED CONTINUOUS ON REELS.
- 5 PRELIMINARY - NOT FOR PRODUCTION



M0	HIGH CONDUCTIVE COPPER ALLOY	HIGH TEMP (140°C)	5 2329914-2
M2	COPPER ALLOY	STANDARD TEMP (105°C)	2329914-1
MATERIAL MARK/1 MATERIAL		TEMPERATURE RATING	PART NUMBER

THIS DRAWING IS A CONTROLLED DOCUMENT.

DIMENSIONS: mm	TOLERANCES UNLESS OTHERWISE SPECIFIED:	DWN: 27MAR2018 CHK: 27MAR2018 APVD: 27MAR2018	TE Connectivity NAME: POWER VERSA-LOCK REC TERMINAL WIRE SEAL 18-20 AWG
	0 PLC ± 1 PLC ±0.40 2 PLC ±0.30 3 PLC ± 4 PLC ± ANGLES ± FINISH ±	PRODUCT SPEC: 108-143081 APPLICATION SPEC: 114-143082	
MATERIAL: SEE TABLE	PRE-PLATED Sn	WEIGHT: -	SIZE: A2 CAGE CODE: - DRAWING NO: C-2329914 RESTRICTED TO: - SCALE: 5:1 SHEET 1 OF 1 REV A2

X-ON Electronics

Largest Supplier of Electrical and Electronic Components

Click to view similar products for [Heavy Duty Power Connectors](#) category:

Click to view products by [TE Connectivity](#) manufacturer:

Other Similar products are found below :

[647757-1](#) [6643411-1](#) [6646058-2](#) [6646137-1](#) [6646138-1](#) [6646479-1](#) [6646608-1](#) [6646786-1](#) [6646940-1](#) [6651091-1](#) [6651525-1](#) [6651529-1](#)
[6651788-1](#) [696475-1](#) [702-32-01109](#) [703-25-02205](#) [73000005059](#) [73000005642](#) [73080255059](#) [73080965046](#) [765-15-0080A](#) [765-16-0080B](#)
[765-18-0080D](#) [829992-1](#) [902-77-02113](#) [PS00/A0620/6300](#) [PS25/A0420/63](#) [129-1J](#) [1409400](#) [AN0024023](#) [E6374G1](#) [e6389g2](#) [157-43GW8](#)
[MS3117-14AC](#) [1643543-1](#) [1650540-1](#) [1651811-2](#) [1766260-1](#) [1766282-1](#) [1766966-1](#) [1791340000](#) [NLDFT-3-BL-L-S120-M40A](#) [NLDFT-N-](#)
[W-L-C240-M40B](#) [NLS-2-R-C240-M40B](#) [NLS-N-W-C240-M40B](#) [NPS-3-BL-T6](#) [1986615-1](#) [2-1589900-8](#) [2199314-1](#) [KA8102](#)