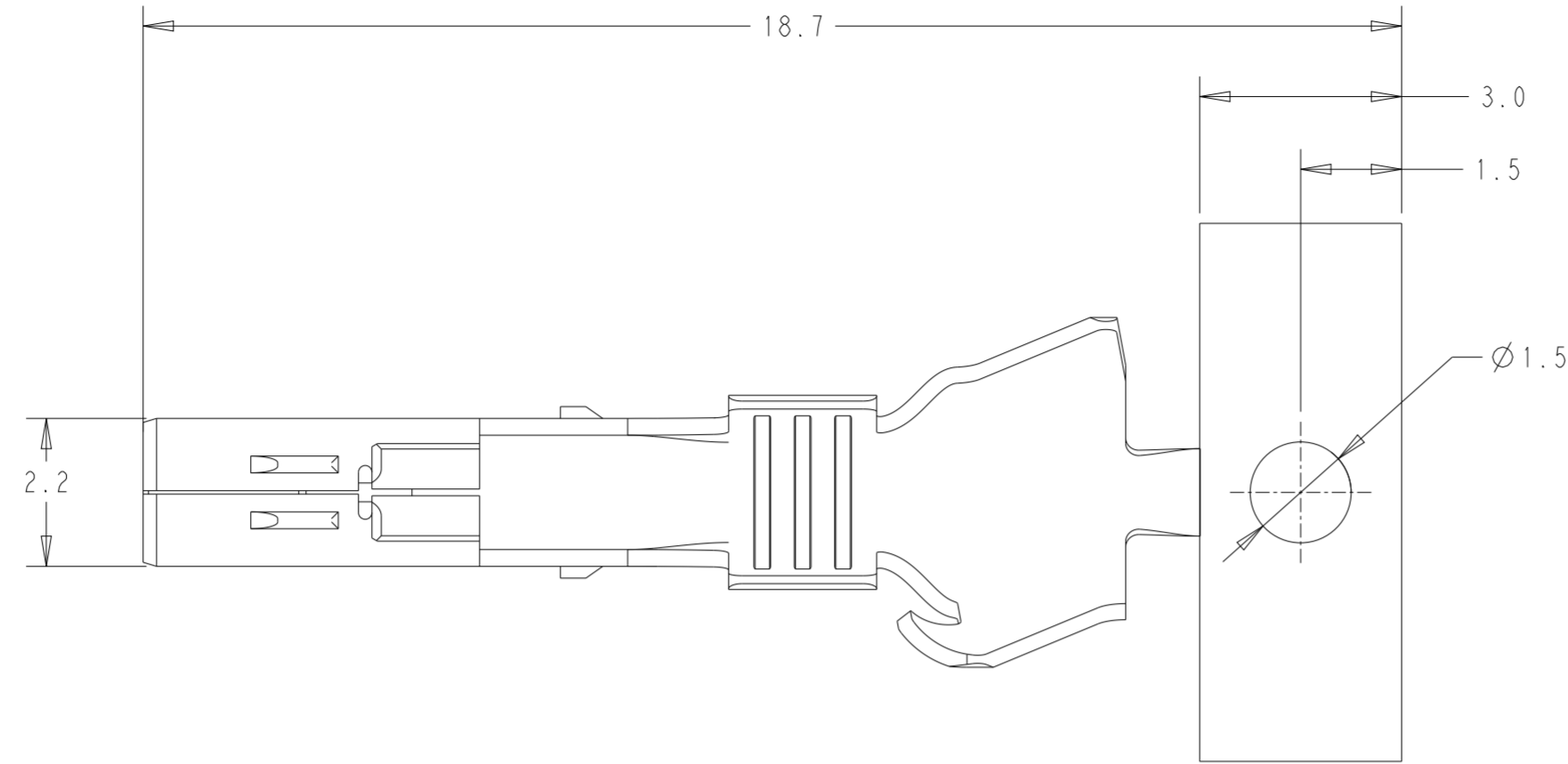
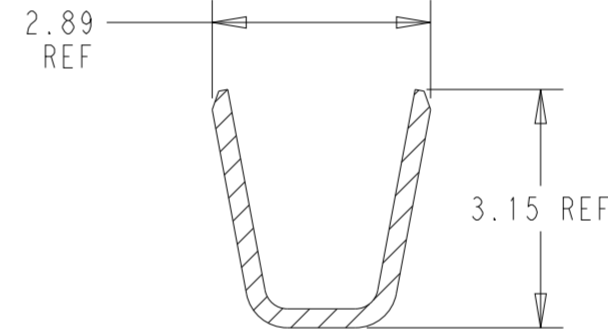
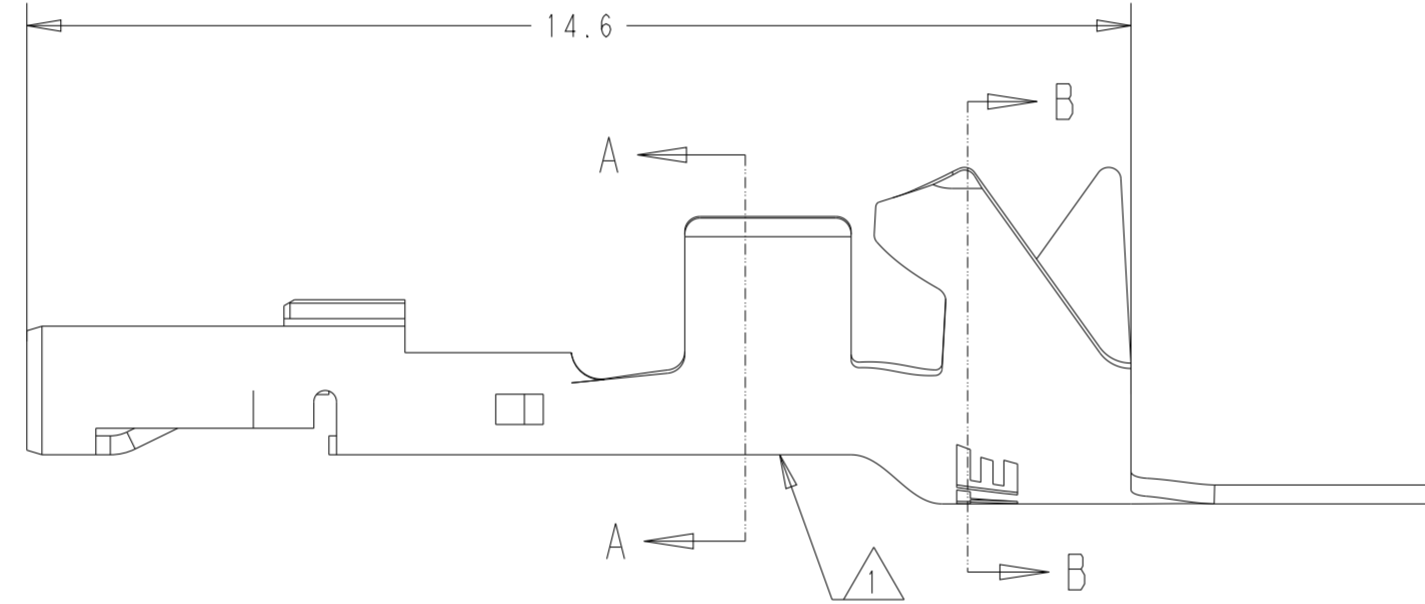
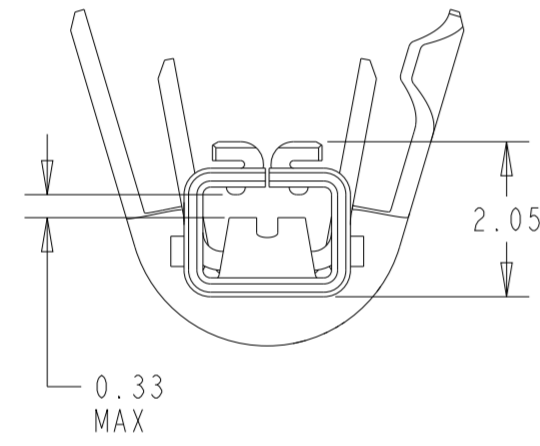


THIS DRAWING IS UNPUBLISHED. RELEASED FOR PUBLICATION
 © COPYRIGHT copyright.dBTe- ALL RIGHTS RESERVED.

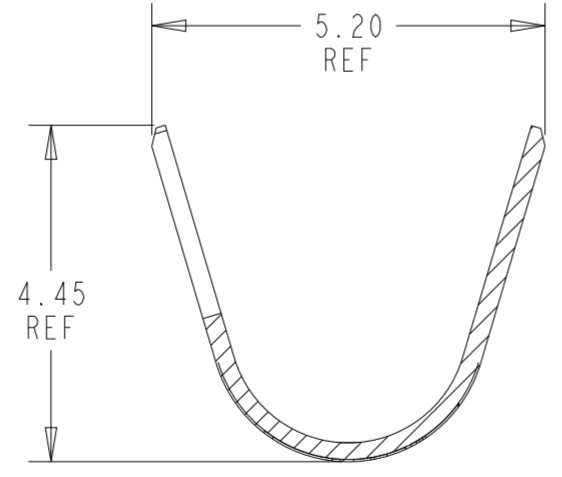
REVISIONS				
P	LTR	DESCRIPTION	DATE	APVD
A		RELEASED PER ECO-19-013549	04SEP2019	BKW GJ
A1		REVISED PER ECR-20-100211	06AUG2020	JP VS
A2		REVSIED PER ECR-21-107670	20JUL2021	SS VS



- 1 MATERIAL MARK
- 2. WIRE RANGE: 14-16 AWG COPPER STRANDED.
- 3. INSULATION RANGE: 2.3~3.5
- 4. SUPPLIED CONTINUOUS ON REELS.
- 5 PRELIMINARY - NOT FOR PRODUCTION



SECTION A-A



SECTION B-B

M0	HIGH CONDUCTIVE COPPER ALLOY	HIGH TEMP (140°C)	2329916-2
M2	COPPER ALLOY	STANDARD TEMP (105°C)	2329916-1
MATERIAL MARK 1	MATERIAL	TEMPERATURE RATING	PART NUMBER

THIS DRAWING IS A CONTROLLED DOCUMENT.		DWN B. WEAVER 27APR2018	TE Connectivity	
DIMENSIONS: mm		CHK S. FERNANDES 27APR2018		
TOLERANCES UNLESS OTHERWISE SPECIFIED:		APVD C. YI 27APR2018	NAME POWER VERSA-LOCK REC TERMINAL WIRE SEAL 14-16 AWG	
0 PLC ±		PRODUCT SPEC	-	
1 PLC ±0.40		APPLICATION SPEC	-	
2 PLC ±0.30		WEIGHT	-	
3 PLC ±		SCALE	5:1	
4 PLC ±		SHEET	1 OF 1	
ANGLES ±		REV	A2	
FINISH		CUSTOMER DRAWING		
SEE TABLE		PRE-PLATED Sn		

X-ON Electronics

Largest Supplier of Electrical and Electronic Components

Click to view similar products for [Heavy Duty Power Connectors](#) category:

Click to view products by [TE Connectivity](#) manufacturer:

Other Similar products are found below :

[647757-1](#) [6643411-1](#) [6646058-2](#) [6646137-1](#) [6646138-1](#) [6646479-1](#) [6646608-1](#) [6646786-1](#) [6646940-1](#) [6651091-1](#) [6651525-1](#) [6651529-1](#)
[6651788-1](#) [696475-1](#) [702-32-01109](#) [703-25-02205](#) [73000005059](#) [73000005642](#) [73080255059](#) [73080965046](#) [765-15-0080A](#) [765-16-0080B](#)
[765-18-0080D](#) [829992-1](#) [902-77-02113](#) [PS00/A0620/6300](#) [PS25/A0420/63](#) [129-1J](#) [1409400](#) [AN0024023](#) [E6374G1](#) [e6389g2](#) [157-43GW8](#)
[MS3117-14AC](#) [1643543-1](#) [1650540-1](#) [1651811-2](#) [1766260-1](#) [1766282-1](#) [1766966-1](#) [1791340000](#) [NLDFT-3-BL-L-S120-M40A](#) [NLDFT-N-](#)
[W-L-C240-M40B](#) [NLS-2-R-C240-M40B](#) [NLS-N-W-C240-M40B](#) [NPS-3-BL-T6](#) [1986615-1](#) [2-1589900-8](#) [2199314-1](#) [KA8102](#)