

THIS DRAWING IS UNPUBLISHED.

RELEASED FOR PUBLICATION

-. -. .

LOC

DIST

REVISIONS

© COPYRIGHT - By -

ALL RIGHTS RESERVED.

AJ

54

P

LTR

DESCRIPTION

DATE

DWN

APVD

F

ECO-14-014419

24SEP2014

RZ

MY

NOTES:

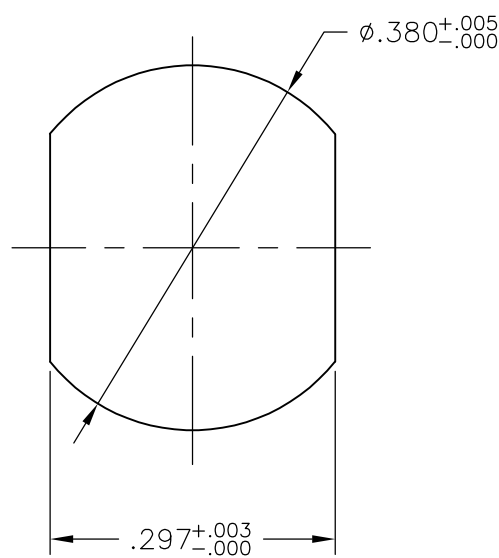
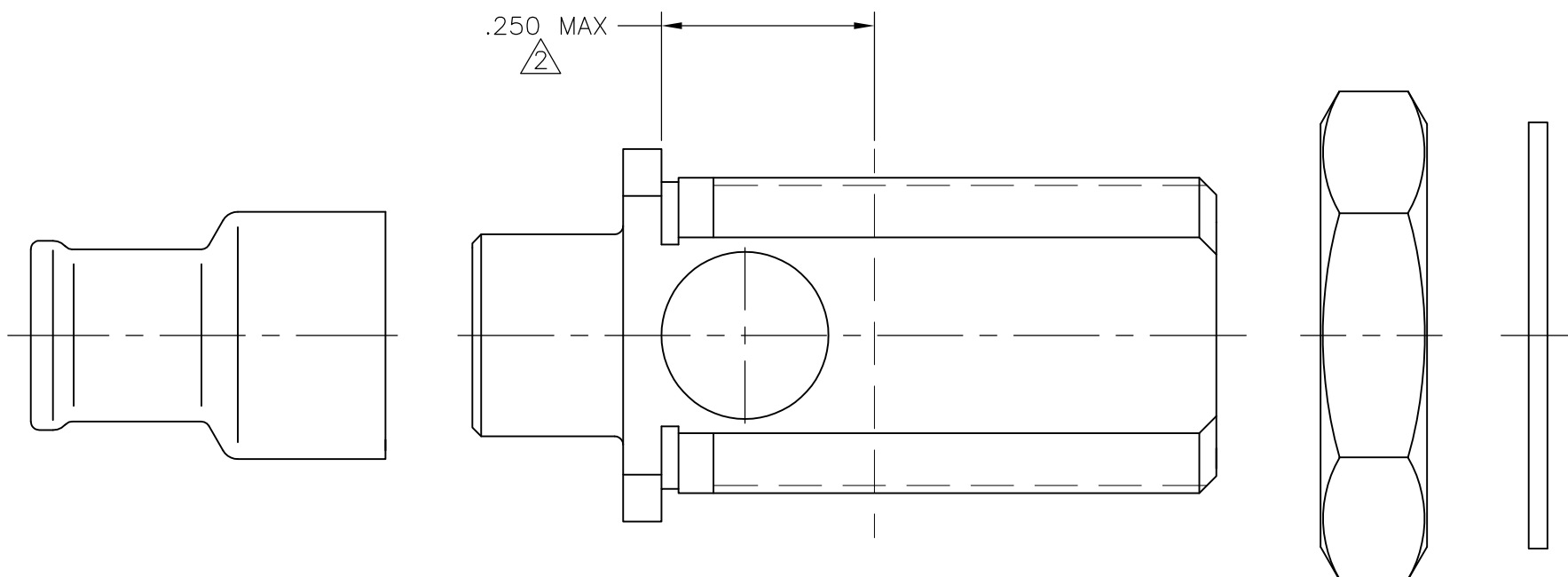
1. PARTS PACKAGED UNASSEMBLED

△ .250 MAX PANEL THICKNESS

3. MATERIAL AND FINISH:

BODY: BRASS, SILVER PLATING  
CENTER CONTACT: BERYLLIUM COPPER, GOLD PLATING  
DIELECTRIC: POLYPROPYLENE  
NUT: BRASS, SILVER PLATING  
LOCK WASHER: STAINLESS STEEL, SILVER PLATING  
FERRULE: BRASS, SILVER PLATING

4. FOR USE WITH MICRODOT 2-3932 & 2-3934 CABLE



RECOMMENDED  
PANEL CUTOUT

2-329940-1  
PART NUMBER

THIS DRAWING IS A CONTROLLED DOCUMENT.		DWN RITA ZUO 24SEP2014	<b>STE</b> TE Connectivity		
DIMENSIONS: INCHES		CHK ANSON MA 24SEP2014			
TOLERANCES UNLESS OTHERWISE SPECIFIED:		APVD MARTIN YE 24SEP2014	NAME CONNECTOR, COAXIAL, R.F. TWIN THREADED SERIES RECEPTACLE		
0 PLC ± -		PRODUCT SPEC	APPLICATION SPEC		
1 PLC ± -		408-1833		SIZE	RESTRICTED TO
2 PLC ± -		WEIGHT		CAGE CODE	-
3 PLC ± -		CUSTOMER DRAWING		DRAWING NO	
4 PLC ± -		FINISH		A300779	G-329940
ANGLES ± -		SCALE		5:1	
MATERIAL		SHEET		1 OF 1	REV
-		F		F	

## X-ON Electronics

Largest Supplier of Electrical and Electronic Components

*Click to view similar products for [Hand Tools](#) category:*

*Click to view products by [TE Connectivity](#) manufacturer:*

Other Similar products are found below :

[568681-1](#) [576786-2](#) [58061-1](#) [58176-1](#) [58177-1](#) [58177-2](#) [58284-1](#) [59085](#) [0031](#) [59737-5](#) [015-0339-000](#) [015-8755-001](#) [600-146-06](#) [M15570-25](#) [62200-5709](#) [6-304052-1](#) [63443-1002](#) [63443-3513](#) [63443-4025](#) [63443-7114](#) [6-354778-5](#) [6-354779-2](#) [63600-2995](#) [63810-0105](#) [M8196914-08](#) [662508-1](#) [662908-1](#) [679994-1](#) [679994-2](#) [68764-0001](#) [69001-0105](#) [69002-5525](#) [690124-7](#) [690191-1](#) [690191-4](#) [690518-2](#) [690696-1](#) [691409-4](#) [691667-1](#) [692006-2](#) [692655-7](#) [692776-1](#) [692776-4](#) [693077-3](#) [693077-4](#) [693597-1](#) [D20418-137](#) [D20419-189](#) [ET-LY10](#) [734041-1](#)