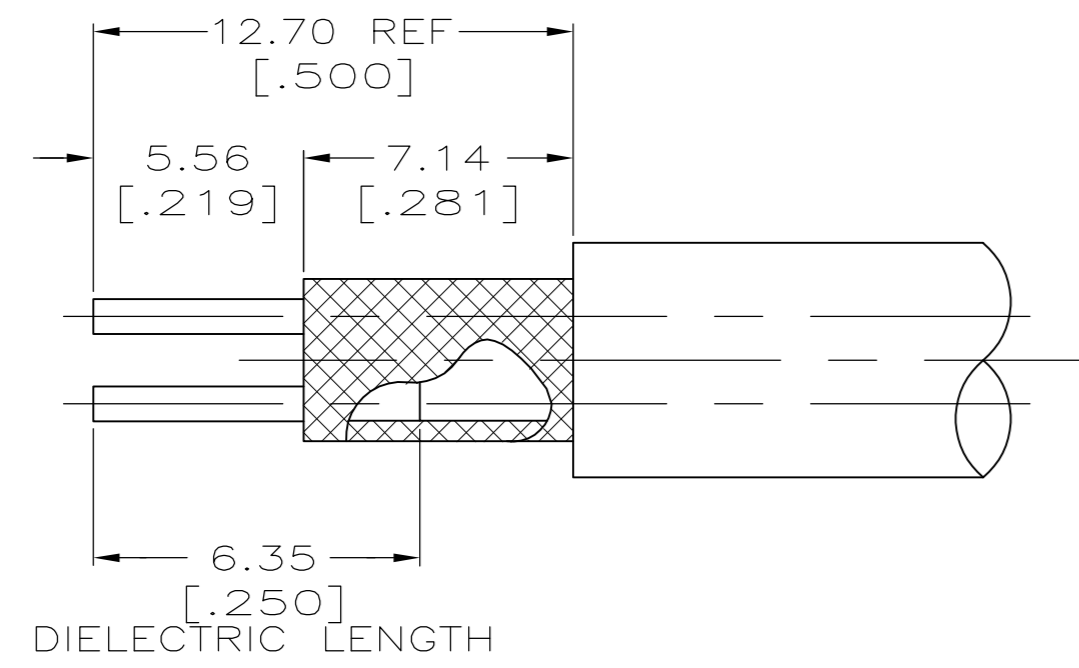


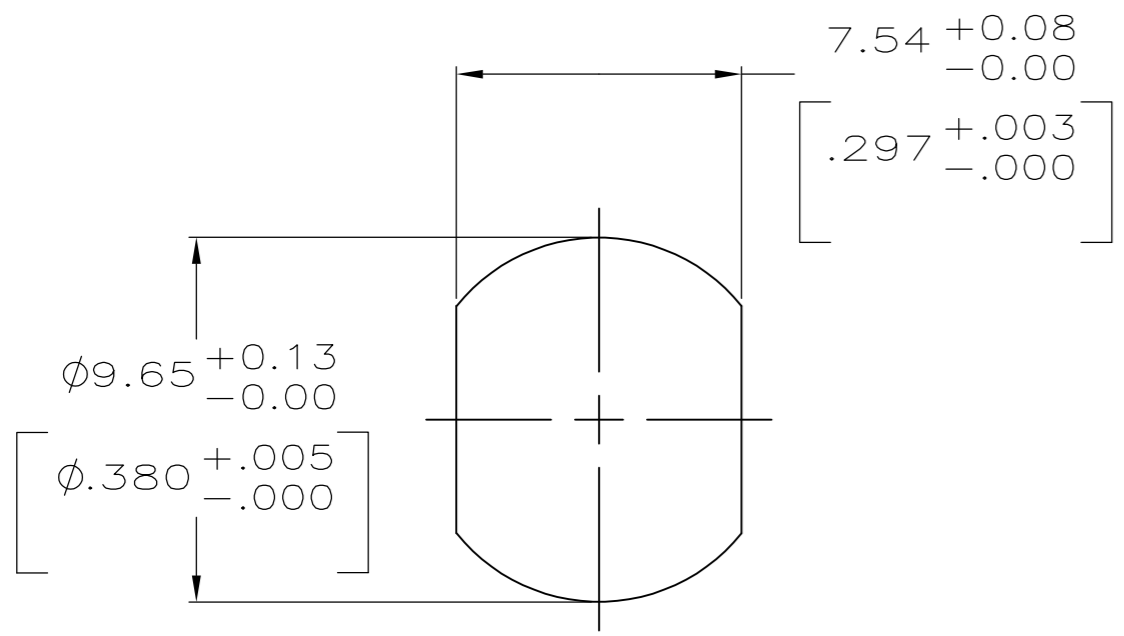
THIS DRAWING IS UNPUBLISHED. RELEASED FOR PUBLICATION  
 © COPYRIGHT - By - ALL RIGHTS RESERVED.

REVISIONS					
P	LTR	DESCRIPTION	DATE	DWN	APVD
N2		REVISED PER ECO-15-013169	18NOV2015	RZ	RS

- 1. PARTS PACKAGED UNASSEMBLED
- ② 6.35 [.250] MAXIMUM PANEL THICKNESS
- 3. CRIMP TOOL: 69311-1
- 4. SEE I.S. 1833

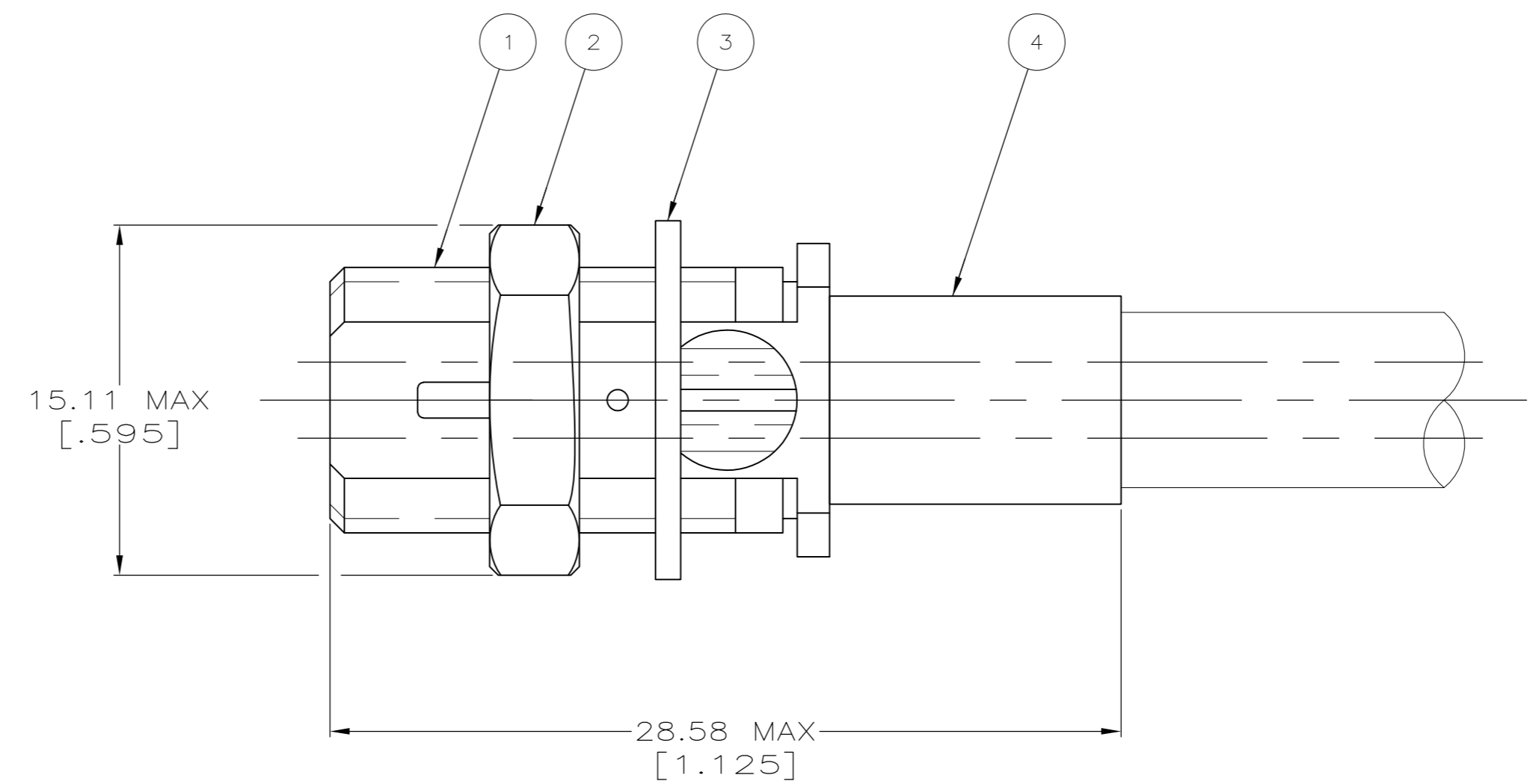


RECOMMENDED STRIP LENGTH



② RECOMMENDED PANEL CUTOUT

SUPERSEDED BY 2-329941-3



	BELDEN 8451,8641 AND 8761	9-329056-0	9-329492-0	9-330249-0	330245	7-329941-3
	BELDEN 8451,8641,8737 & 8761	329056	9-329492-0	9-330249-0	2-330245-5	2-329941-4
	BELDEN 8451,8641 AND 8761	329056	9-329492-0	9-330249-0	330245	2-329941-3
	BELDEN 8737	329960	9-329492-0	9-330249-0	330245	2-329941-1
CABLE SIZE	④ FERRULE QTY=1	③ LOCKWASHER QTY=1	② NUT QTY=1	① RECEPTACLE ASSEMBLY QTY=1	PART NUMBER	

THIS DRAWING IS A CONTROLLED DOCUMENT.		DWN B. SCOTT 06-26-91				
DIMENSIONS: INCHES		CHK G. MICHAEL 02/05/93				
TOLERANCES UNLESS OTHERWISE SPECIFIED:		APVD G. MICHAEL 02/05/93	NAME RECEPTACLE, THREADED, TWIN SERIES			
0 PLC ± - 1 PLC ± - 2 PLC ± 0.41 [.016] 3 PLC ± - 4 PLC ± - ANGLES ± - FINISH -		PRODUCT SPEC -	SIZE A2	CAGE CODE 00779	DRAWING NO C-329941	RESTRICTED TO -
MATERIAL -		WEIGHT -	SCALE 5:1		SHEET 1 of 1	REV N2
CUSTOMER DRAWING						

## X-ON Electronics

Largest Supplier of Electrical and Electronic Components

*Click to view similar products for [RF Connectors / Coaxial Connectors](#) category:*

*Click to view products by [TE Connectivity](#) manufacturer:*

Other Similar products are found below :

[8915-1511-000](#) [89674-0827](#) [6001-7071-019](#) [6002-7051-003](#) [6002-7551-202](#) [6059674-1](#) [619550-1](#) [630059-000](#) [M39030/3-01N](#) [6500-7071-046](#) [6769](#) [CX050L2AQ](#) [7002-1541-010](#) [7002-1542-011](#) [7004-1512-000](#) [7009-1511-004](#) [7010-1511-000](#) [7029-1511-060](#) [7101-1541-010](#) [7101-1571-002](#) [7105-1521-002](#) [7145-1521-002](#) [7203-1571-003](#) [7209-1511-011](#) [7210-1511-015](#) [7210-1511-019](#) [73137-5015](#) [73216-2241](#) [73404-2300](#) [7405-1521-005](#) [7405-1521-802](#) [8527](#) [8547](#) [FS11V](#) [877931](#) [9049-9513-000](#) [9074-9513-000](#) [9101-9573-002](#) [910A205F](#) [9130-9573-002](#) [PL11SC-026](#) [PL375-33](#) [PL40-5](#) [PL74C-221](#) [PL75MC-217](#) [PL803-7](#) [1200690078](#) [1-201144-1](#) [R107003010W](#) [R110A172100](#)