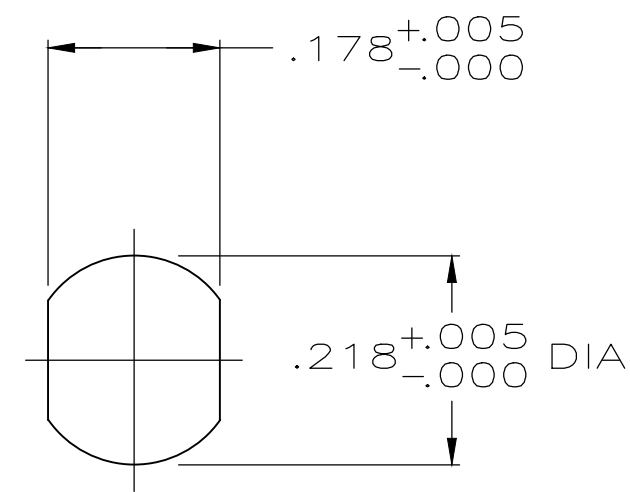
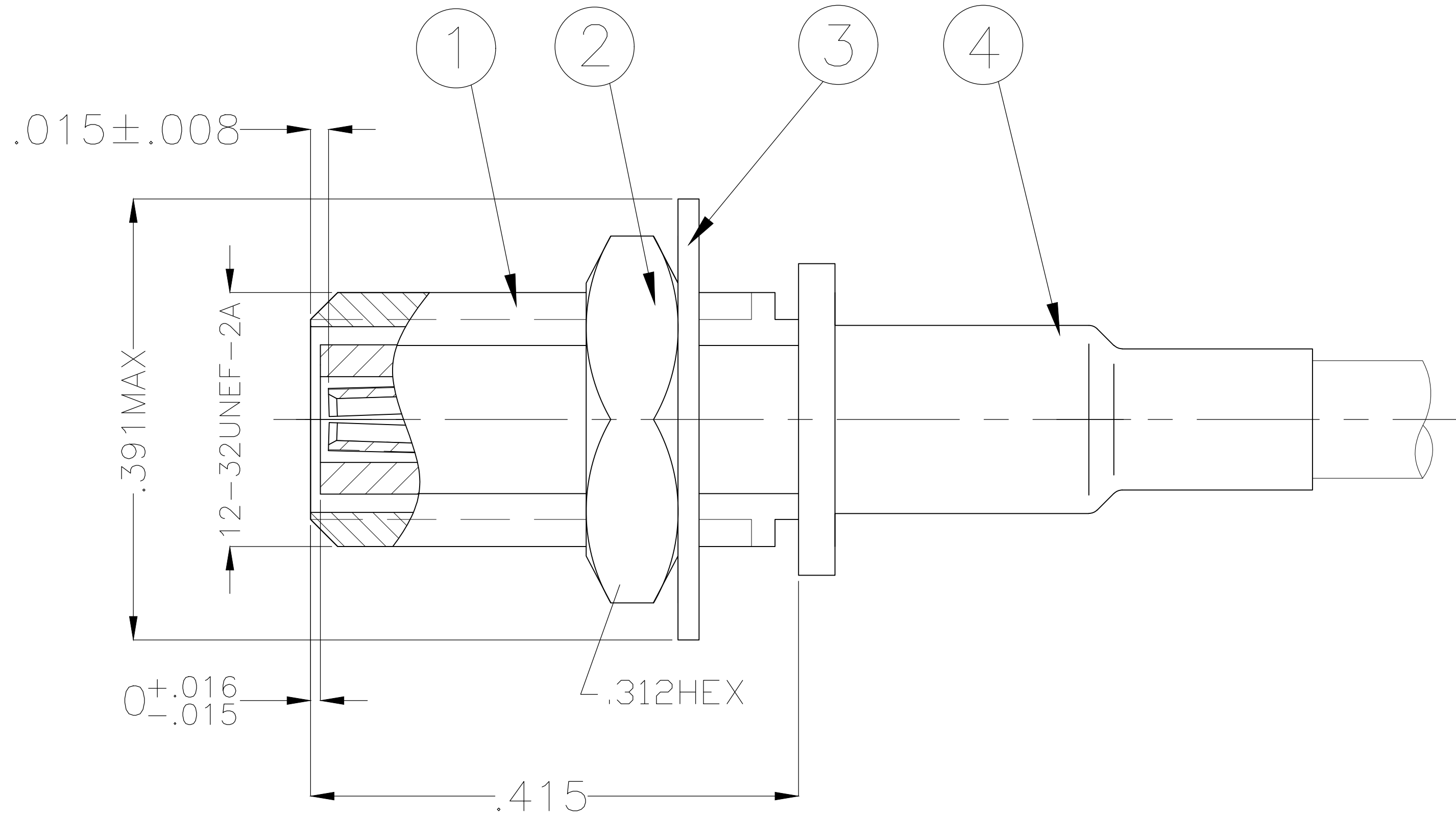
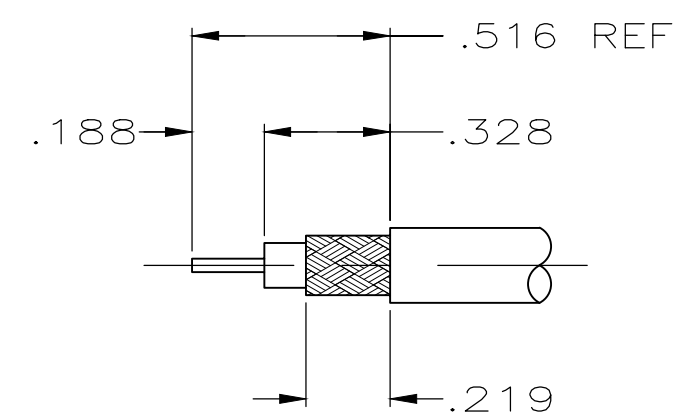


THIS DRAWING IS UNPUBLISHED. RELEASED FOR PUBLICATION
 © COPYRIGHT - By - ALL RIGHTS RESERVED.

REVISIONS					
P	LTR	DESCRIPTION	DATE	DWN	APVD
	T2	ECO-18-017129	30OCT2018	RZ	RS



RECOMMENDED PANEL CUTOUT



RECOMMENDED STRIP LENGTH

	45609 & 69142	RG-161/U,178/U,178A/U, & 196/U	5-329067-0	5-328691-0	5-328690-0	5-330347-0	7-330312-2
	69188-1	RG-174/U,179A/U,187/U,188/U,21-596, & 21-598	5-329038-0	5-328691-0	5-328690-0	5-330347-0	7-330312-1
	69188-1	RG-174/U,179A/U,187/U & 188/U	1-329038-3	1-328691-2	1-328690-2	222262-2	2-330312-8
	45609 & 69142	RG-161/U,178/U,178A/U, & 196/U	1-329067-1	1-328691-2	1-328690-2	222262-2	2-330312-7
OBSOLETE	69188-1	RG-161/U,178/U,178A/U, & 196/U	5-329067-0	5-328691-0	5-328690-0	415158-1	2-330312-6
OBSOLETE	45609 & 69142	RG-174/U,179A/U,187/U,188/U,21-596, & 21-598	5-329038-0	5-328691-0	5-328690-0	415158-1	2-330312-5
	45609 & 69142	RG-174/U,179A/U,187/U,188/U,21-596, & 21-598	5-329038-0	1-328691-3	1-328690-3	222262-1	2-330312-4
	69188-1	RG-161/U,178/U,178A/U, & 196/U	5-329067-0	1-328691-3	1-328690-3	222262-1	2-330312-3
OBSOLETE	69188-1	RG-161/U,178/U,178A/U, & 196/U	5-329067-0	5-328691-0	5-328690-0	5-330347-0	2-330312-2
	45609 & 69142	RG-174/U,179A/U,187/U,188/U,21-596, & 21-598	5-329038-0	5-328691-0	5-328690-0	5-330347-0	2-330312-1
	CRIMP TOOL	CABLE SIZE	④ FERRULE QTY=1	③ LOCKWASHER QTY=1	② JAM NUT QTY=1	① RECEPTACLE ASSEMBLY QTY=1	PART NO

1. .125 MAX PANEL THICKNESS
 2. SEE I.S. 1771

THIS DRAWING IS A CONTROLLED DOCUMENT.

DIMENSIONS: INCHES	TOLERANCES UNLESS OTHERWISE SPECIFIED:	DWN L. MOSCOSO 9-14-89	TE Connectivity CONNECTOR, RECEPTACLE SERIES MINIATURE THREADED
	0 PLC ± -	CHK R.E. RUTH 9-14-89	
	1 PLC ± -	APVD R. HENRY 9-14-89	
	2 PLC ± -	PRODUCT SPEC	
MATERIAL	FINISH	APPLICATION SPEC	RESTRICTED TO

WEIGHT 0.000000 A2 00779 C=330312
 CUSTOMER DRAWING SCALE 5:1 SHEET 1 OF 1 REV T2

330312

X-ON Electronics

Largest Supplier of Electrical and Electronic Components

Click to view similar products for [RF Connectors](#) / [Coaxial Connectors](#) category:

Click to view products by [TE Connectivity](#) manufacturer:

Other Similar products are found below :

[R125315120](#) [8915-1511-000](#) [89674-0827](#) [5916-1103-603](#) [6-0001-3](#) [6001-7071-019](#) [6002-7051-003](#) [6002-7551-202](#) [6059674-1](#) [619550-1](#)
[630059-000](#) [M39012/25-0021](#) [M39012/79-3008](#) [M39030/3-01N](#) [M39030/3-03N](#) [M3933/25-36N](#) [6500-7071-046](#) [M83723/72W24576](#)
[M83723/72W2457N](#) [6769](#) [CX050L2AQ](#) [7002-1541-010](#) [7002-1572-002](#) [7003-1572-002](#) [7010-1511-000](#) [7029-1511-060](#) [7101-1541-010](#)
[7101-1571-002](#) [7105-1521-002](#) [7145-1521-002](#) [7209-1511-011](#) [7210-1511-015](#) [7210-1511-019](#) [7225-1512-050](#) [7242-1511-000](#) [73137-5015](#)
[73251-0111](#) [73251-0672](#) [7325-1512-000](#) [73276-1501](#) [73366-0013](#) [73404-2300](#) [73413-6080](#) [73415-5721](#) [7405-1521-005](#) [7405-1521-802](#)
[7406-1521-005](#) [804S01D04M040](#) [8145-1521-002](#) [81590](#)