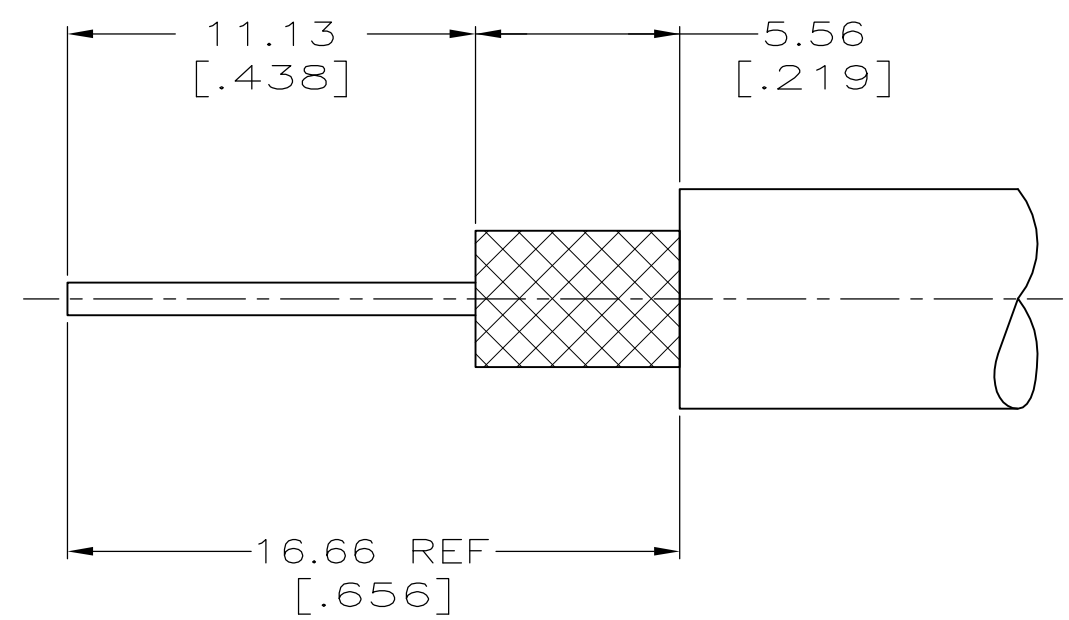
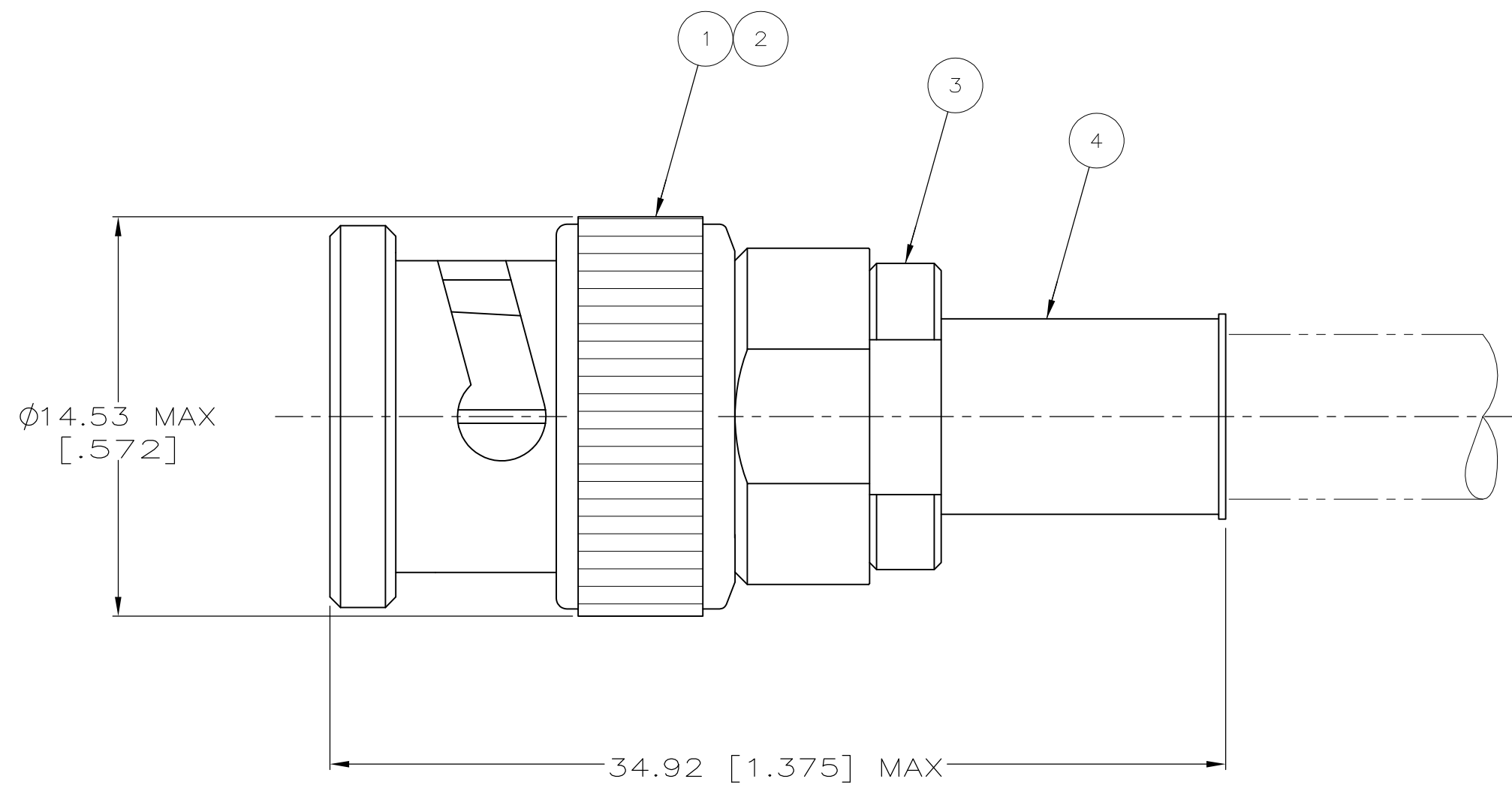


THIS DRAWING IS UNPUBLISHED. RELEASED FOR PUBLICATION
 © COPYRIGHT 19 BY AMP INCORPORATED. ALL INTERNATIONAL RIGHTS RESERVED.

LOC	DIST	P	F	ZONE	LTR	REVISIONS	DATE	APPD
AJ	16				H1	REVISED PER ECR-16-009453	30JUN2016	BW

1. USE INSTRUCTION SHEET 1799-1



RECOMMENDED STRIP LENGTH
NO SCALE

OBSOLETE	-	-	-	-	-	-	7-330358-1
	RG-142/U, 142A/U, 142B/U	693331-1	9-329099-2	9-50780-3	2-329106-1	9-329804-0	2-330358-2
SUPSD BY 225395-5	RG-141/U, 141A/U	693331	330478	1-50780-3	2-329106-1	329804	2-330358-1
OBSOLETE	-	-	-	-	-	-	330358
	CABLE	CRIMP TOOL	④ FERRULE QTY=1	③ CRIMP END ASSEMBLY QTY=1	② GASKET QTY=1	① PLUG ASSEMBLY QTY=1	PART NUMBER

DO NOT SCALE PRINT. UNLESS SPECIFIED DIMENSIONS IN mm [INCHES] TOLERANCES ON : 2 PLC DEC ± 0.41 [.016] 3 PLC DEC ± - ANGLES ± -		DR 14FEB96 MICHAEL E. COWHER		AMP Incorporated Harrisburg, PA 17105-3608	
MATERIAL		CHK 15FEB96 FRANK P. MORANA			
FINISH		APPD 15FEB96 FRANK P. MORANA		NAME	
-		APPD 15FEB96 MICHAEL E. COWHER		PLUG, BNC	
-		PRODUCT SPEC		SIZE	
-		APPLICATION SPEC		CAGE CODE	
-		-		DRAWING NO	
-		WEIGHT 0		③ 00779	
-		SCALE 5:1		330358	
-		-		SHEET 10F 1	

X-ON Electronics

Largest Supplier of Electrical and Electronic Components

Click to view similar products for [RF Connectors / Coaxial Connectors](#) category:

Click to view products by [TE Connectivity](#) manufacturer:

Other Similar products are found below :

[8915-1511-000](#) [89674-0827](#) [6001-7071-019](#) [6002-7051-003](#) [6002-7551-202](#) [6059674-1](#) [619550-1](#) [630059-000](#) [M39030/3-01N](#) [6500-7071-046](#) [6769](#) [CX050L2AQ](#) [7002-1541-010](#) [7002-1542-011](#) [7004-1512-000](#) [7009-1511-004](#) [7010-1511-000](#) [7029-1511-060](#) [7101-1541-010](#) [7101-1571-002](#) [7145-1521-002](#) [7203-1571-003](#) [7209-1511-011](#) [7210-1511-015](#) [7210-1511-019](#) [73137-5015](#) [73216-2241](#) [73404-2300](#) [7405-1521-005](#) [7405-1521-802](#) [8527](#) [8547](#) [FS11V](#) [877931](#) [9049-9513-000](#) [9074-9513-000](#) [9101-9573-002](#) [910A205F](#) [9130-9573-002](#) [PL11SC-026](#) [PL375-33](#) [PL40-5](#) [PL74C-221](#) [PL75MC-217](#) [PL803-7](#) [980-8666-005](#) [1200690078](#) [1-201144-1](#) [R107003010W](#) [R110A172100](#)