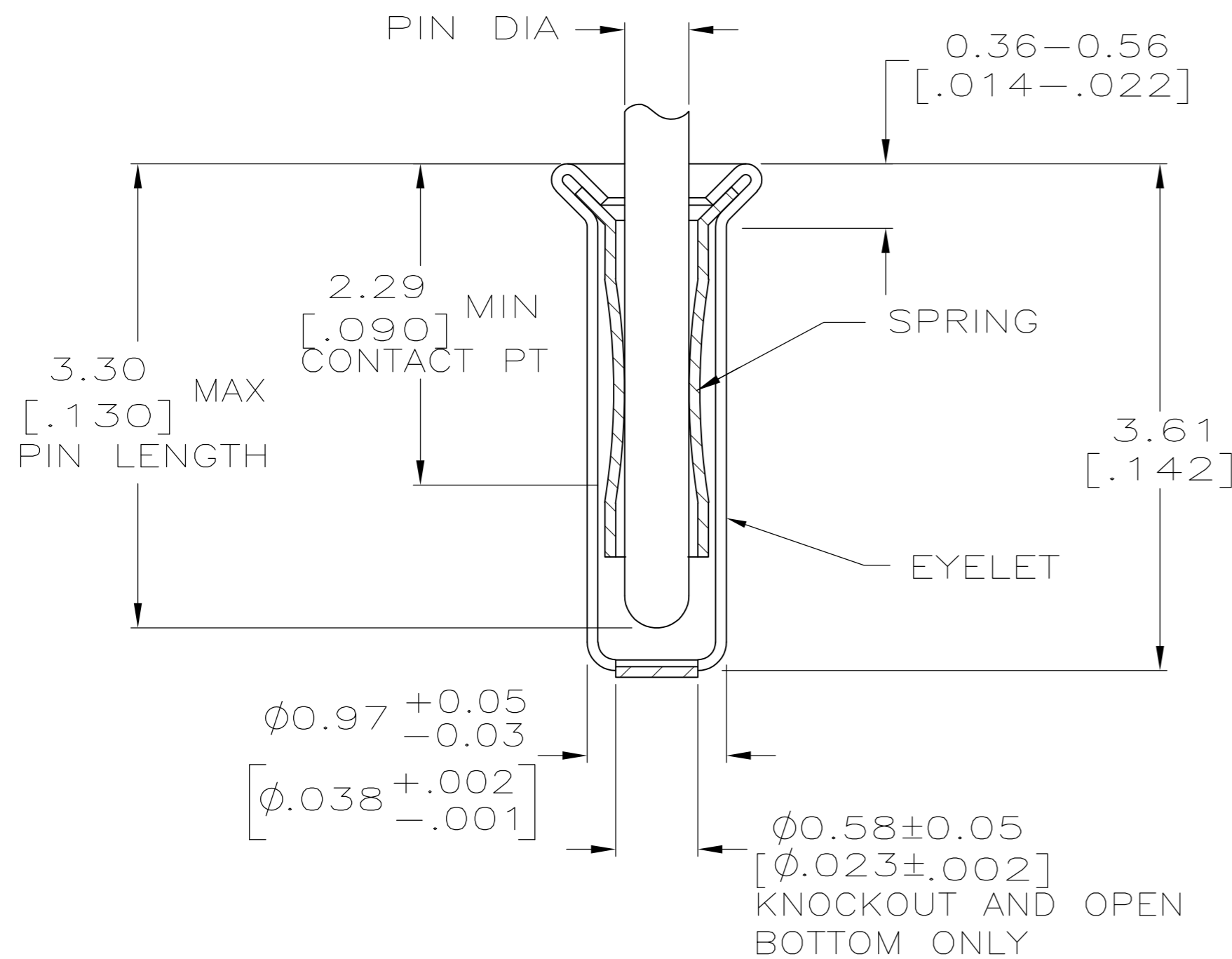
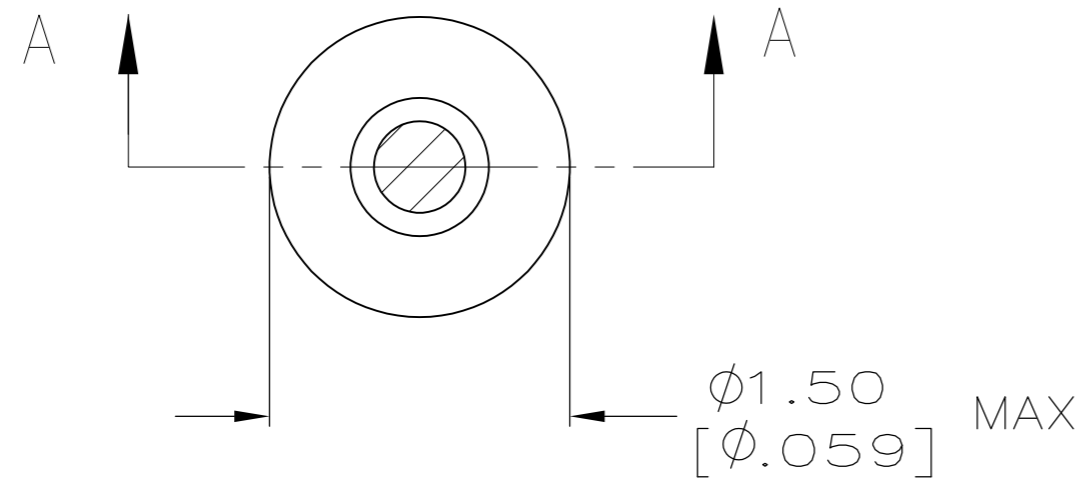


LOC	DIST	REVISIONS					
FT	G4	P	LTR	DESCRIPTION	DATE	DWN	APVD
		CB5		REVISED PER ECO-11-004835	11MAR11	RK	HMR



SECTION A-A

9 OBSOLETE PARTS: OBSOLETE CIS STREAMLINING PER D.RENAUD/D.SINISI

1. TIN PER MIL-T-10727 OR TIN LEAD .000254 [.000100] MIN THK.
2. GOLD PER MIL-G-45204, TYPE II, 0.00076 [.000030] MIN THK OVER NICKEL PER QQ-N-290 0.00028 [.000011] MIN THK ON CONTACT AREA.
3. GOLD FLASH PER MIL-G-45204, TYPE II, 0.13µm [.000005] MIN THK. OVER NICKEL PLATE PER QQ-N-290 0.51µm-1.52µm [.000020-.000060] EXT THK.
4. RECOMMENDED HOLE SIZE, PLATED OR UNPLATED:
 MACHINE INSERTION: 1.04±0.05 [.041±.002]
 HAND INSERTION: 1.02 ^{+0.10}/_{-0.00} [.040 ^{+0.004}/_{-0.000}]
5. APPLICATION TOOL PART NUMBER:
 MACHINE NO. 682127-2
 INSERTION HEAD NO. 682039-1
6. TO INSURE PROPER SPRING TENSION DO NOT EXCEED A 0.10 [.004] DIFFERENCE IN PIN DIA WHEN CHANGING TO A SMALLER PIN.
7. BOTTOM PLUG KNOCKOUT TOOL PART NUMBER 69729 WITH TIP PART NUMBER 69728.
8. MATERIAL: SPRING: BERYLLIUM COPPER (QQ-C-533)
 EYELET: COPPER (QQ-C-576)

	CLOSED	0.33-0.51 [.013-.020]	GOLD 3	GOLD 2	9-330808-3
	CLOSED	0.33-0.51 [.013-.020]	TIN 1	TIN 1	9-330808-2
	CLOSED		GOLD 3	GOLD 2	7-330808-5
	CLOSED		TIN 1	TIN 1	7-330808-4
	CLOSED		GOLD 3	GOLD 2	7-330808-3
	CLOSED		TIN 1	TIN 1	7-330808-2
SUPSD BY 5-330808-3	KNOCKOUT	0.46-0.51 [.018-.020]	GOLD 3	GOLD 2	7-330808-1
SUPSD BY 3-330808-8	KNOCKOUT	0.46-0.51 [.018-.020]	TIN 1	TIN 1	7-330808-0
9 OBSOLETE	OPEN		GOLD 3	GOLD 2	6-330808-9
OBSOLETE	OPEN		TIN 1	TIN 1	6-330808-8
OBSOLETE	OPEN		GOLD 3	GOLD 2	6-330808-7
OBSOLETE	CLOSED	0.33-0.51 [.013-.020]	TIN 1	GOLD 2	6-330808-5
OBSOLETE	OPEN	0.25-0.33 [.010-.013]	TIN 1	GOLD 2	5-330808-6
OBSOLETE	OPEN	0.33-0.51 [.013-.020]	TIN 1	GOLD 2	5-330808-4
SUPSD BY 5-330808-3	KNOCKOUT	0.33-0.51 [.013-.020]	TIN 1	GOLD 2	5-330808-3
SUPSD BY 5-5330808-4	CLOSED	0.25-0.33 [.010-.013]	GOLD 3	GOLD 2	5-330808-1
OBSOLETE	OPEN	0.33-0.51 [.013-.020]	TIN 1	TIN 1	5-330808-0
OBSOLETE	OPEN	0.25-0.33 [.010-.013]	GOLD 3	GOLD 2	4-330808-8
9 OBSOLETE	OPEN	0.33-0.51 [.013-.020]	TIN 1	TIN 1	4-330808-7
OBSOLETE	OPEN	0.25-0.33 [.010-.013]	GOLD 3	GOLD 2	4-330808-2
OBSOLETE	OPEN	0.25-0.33 [.010-.013]	TIN 1	TIN 1	4-330808-1
OBSOLETE	KNOCKOUT	0.33-0.51 [.013-.020]	GOLD 3	GOLD 2	3-330808-8
OBSOLETE	KNOCKOUT	0.25-0.33 [.010-.013]	TIN 1	TIN 1	3-330808-7
OBSOLETE	KNOCKOUT	0.25-0.33 [.010-.013]	TIN 1	TIN 1	3-330808-1
OBSOLETE	CLOSED	0.33-0.51 [.013-.020]	GOLD 3	GOLD 2	2-330808-8
OBSOLETE	CLOSED	0.25-0.33 [.010-.013]	TIN 1	TIN 1	2-330808-7
SUPSD BY 5-330808-0	CLOSED	0.33-0.51 [.013-.020]	GOLD 3	GOLD 2	2-330808-2
OBSOLETE	CLOSED	0.25-0.33 [.010-.013]	TIN 1	TIN 1	2-330808-1
			EYELET	SPRING	
			FINISH		
					PART NO

THIS DRAWING IS A CONTROLLED DOCUMENT. DWN R. TALLEY 4-5-91
 CHK S. ROBERTSON 8-22-91
 APVD R. MILLER 8-22-91
 PRODUCT SPEC

DIMENSIONS: mm [INCHES] TOLERANCES UNLESS OTHERWISE SPECIFIED:
 0 PLC ± -
 1 PLC ± -
 2 PLC ± -
 3 PLC ± 0.20 [.008]
 4 PLC ± -
 ANGLES ± -

MATERIAL FINISH SEE TABLE WEIGHT -

CUSTOMER DRAWING

TE Connectivity
 MINIATURE SPRING SOCKET ASSEMBLY

SIZE A2 CAGE CODE 00779 DRAWING NO C=330808 RESTRICTED TO -
 SCALE 20:1 SHEET 1 OF 1 REV CB5

X-ON Electronics

Largest Supplier of Electrical and Electronic Components

Click to view similar products for IC & Component Sockets category:

Click to view products by TE Connectivity manufacturer:

Other Similar products are found below :

[0066-3-17-15-30-14-02-0](#) [670](#) [672](#) [673](#) [694-13-640-00-672-000](#) [712-93-120-41-001000](#) [714-93-104-31-018000](#) [8059-4G1-LF](#) [807-22-001-10-001101](#) [807-22-001-10-006101](#) [807-22-001-30-011101](#) [807-22-001-30-012101](#) [807-22-001-30-013101](#) [807-22-001-30-014101](#) [8-1437531-4](#) [8150-6P10](#) [833-93-034-10-001000](#) [851-41-006-10-001000](#) [851-43-008-20-001000](#) [851-43-014-20-001000](#) [851-93-006-20-001000](#) [851-93-010-20-001000](#) [853-43-020-10-001000](#) [86.010.0053.0](#) [116-43-308-41-007000](#) [PX-68LCC](#) [121-13-318-41-001000](#) [121-13-320-41-001000](#) [121-13-308-41-001000](#) [123-43-314-41-801000](#) [123-43-420-41-001000](#) [122-13-316-41-001000](#) [123-13-624-41-001000](#) [123-43-306-41-001000](#) [12-3513-11](#) [123-91-320-41-001000](#) [126-43-310-41-002000](#) [AKSUN 37V-T](#) [1437503-9](#) [1437504-1](#) [146-44-308-41-013000](#) [146-43-308-41-012000](#) [160-10-308-00-001000](#) [160-40-320-00-001000](#) [214-99-306-01-670800](#) [232-1270-02-0602](#) [2-382761-4](#) [2-5331677-4](#) [2-640360-3](#) [2801-2-00-50-00-00-07-0](#)