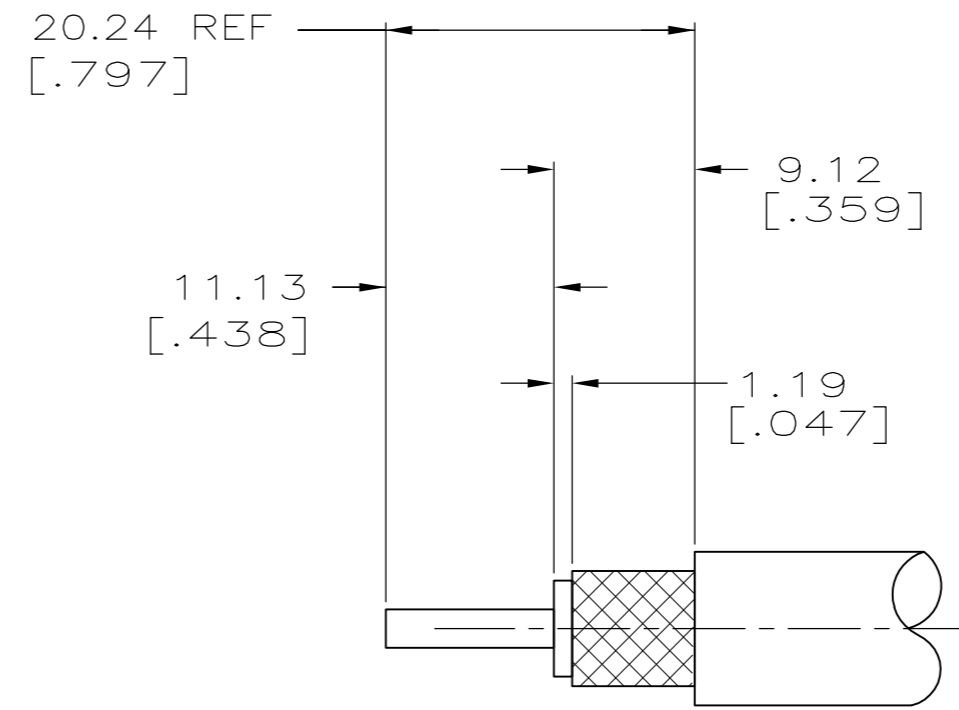
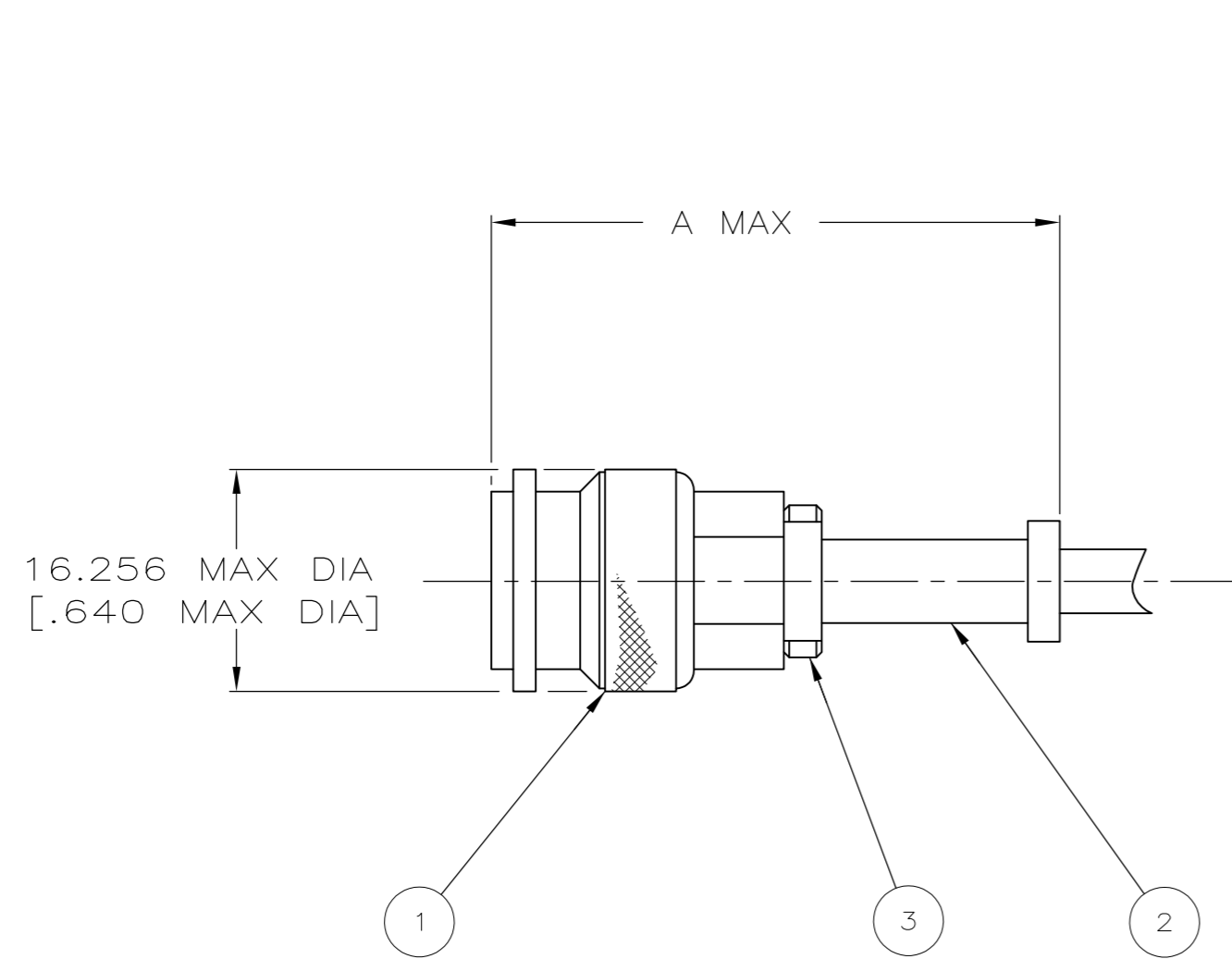


THIS DRAWING IS UNPUBLISHED.
 DIFFUSION RESTREINTE AMP
 © COPYRIGHT BY TYCO ELECTRONICS CORPORATION. ALL INTERNATIONAL RIGHTS RESERVED.
 TOUS DROITS RESERVES.

LOC	DIST	REVISIONS			
P	LTR REV	DESCRIPTION MODIFICATIONS	DATE	DWN DESS	APVD APP
F	7				
	W	REACTIVATE 2-330953-1	17-NOV-04	JJD	-
	W1	ECR-10-022205	01FEB11	KK	HMR

- 1. SEE I.S. 1898
- 2. WEIGHT: .666 OZ.

- △4 WEIGHT: .68 OZ
- △5 SUPERSEDED BY 2-330953-3



RECOMMENDED STRIP LENGTH

△5	△4	OBSOLETE	40.64 [1.600]	69376-3	RG-223/U	330932	1-330927-0	330951	5-330953-1
		SUPERSEDED BY 225550-1	40.64 [1.600]	69376-3	RG-55/U,55A/U,55B/U & 223/U	330932	1-330927-0	330951	2-330953-3
		OBSOLETE	38.99 [1.535]	69376	RG-142/U,142A/U, & 142B/U	1-330932-0	226696-1	330951	2-330953-2
			40.64 [1.600]	69376-3	RG-141/U & 141A/U	1-330932-0	330927	330951	2-330953-1
		OBSOLETE	40.64 [1.600]	69376-3(ALL SIZES),69376-1(RG-58C/U ONLY)	RG-58/U,58B/U, & 58C/U	330932	330927	330951	330953
			A	CRIMPING TOOL	FOR USE WITH CABLE	③ CRIMP END QTY=1	② FERRULE QTY=1	① PLUG ASSY QTY=1	PART NUMBER

THIS DRAWING IS A CONTROLLED DOCUMENT. CE SCHÉMA EST UN DOCUMENT CONTROLÉ		DWN/DESSINE JJ.DESPRETZ CHK/VERIFIE Y.PETRONIN APVD/APPROUVE Y.PETRONIN	17-NOV-04	Tyco Electronics Tyco Electronics FRANCE SAS BP 39, 95301 CERGY-PONTOISE CEDEX	
DIMENSIONS: mm	TOLERANCES UNLESS OTHERWISE SPECIFIED: TOLERANCES NON SPECIFIEES (SUIV NB DE DECIMALES): 1-PLC/ZDEC ± 0.41 2-PLC/ZDEC - 3-PLC/ZDEC - 4-PLC/ZDEC - ANGLES ± -	PRODUCT SPEC SPEC. PRODUIT 108-12001 APPLICATION SPEC SPEC. APPLICATION 408-9566	NAME TITRE PLUG, SERIES TNC		RESTRICTED TO -
MATERIAL MATIERE	FINISH FINITION	WEIGHT MASSE APPROX. -	SIZE FORMAT A2	CAGE CODE 00779	DRAWING NO No PLAN C=330953
CUSTOMER DRAWING/PLAN CLIENT		UNIQUEMENT POUR REFERENCE	SCALE ECHELLE 1:1	SHEET FEUILLE 1 OF 1	REV W1

X-ON Electronics

Largest Supplier of Electrical and Electronic Components

Click to view similar products for [RF Connectors / Coaxial Connectors](#) category:

Click to view products by [TE Connectivity](#) manufacturer:

Other Similar products are found below :

[R125315120](#) [8915-1511-000](#) [89674-0827](#) [5916-1103-603](#) [0106-001-000](#) [6-0001-3](#) [6001-7071-019](#) [6002-7051-003](#) [6002-7551-202](#) [6059674-1](#) [619550-1](#) [630059-000](#) [M39012/25-0021](#) [M39012/79-3008](#) [M39030/3-01N](#) [M39030/3-03N](#) [M3933/25-29N](#) [M3933/25-36N](#) [6500-7071-046](#) [6501-1071-002](#) [M83723/72W24576](#) [M83723/72W2457N](#) [6769](#) [CX050L2AQ](#) [7002-1541-010](#) [7003-1572-002](#) [7004-1512-000](#) [7009-1511-004](#) [7010-1511-000](#) [7029-1511-060](#) [7101-1541-010](#) [7101-1571-002](#) [7105-1521-002](#) [7145-1521-002](#) [7209-1511-011](#) [7210-1511-012](#) [7210-1511-015](#) [7210-1511-019](#) [7210-1511-040](#) [7225-1512-050](#) [7242-1511-000](#) [73137-5015](#) [73216-2241](#) [73251-0111](#) [73251-0672](#) [73276-1501](#) [73366-0013](#) [73404-2300](#) [73413-6080](#) [734151610](#)