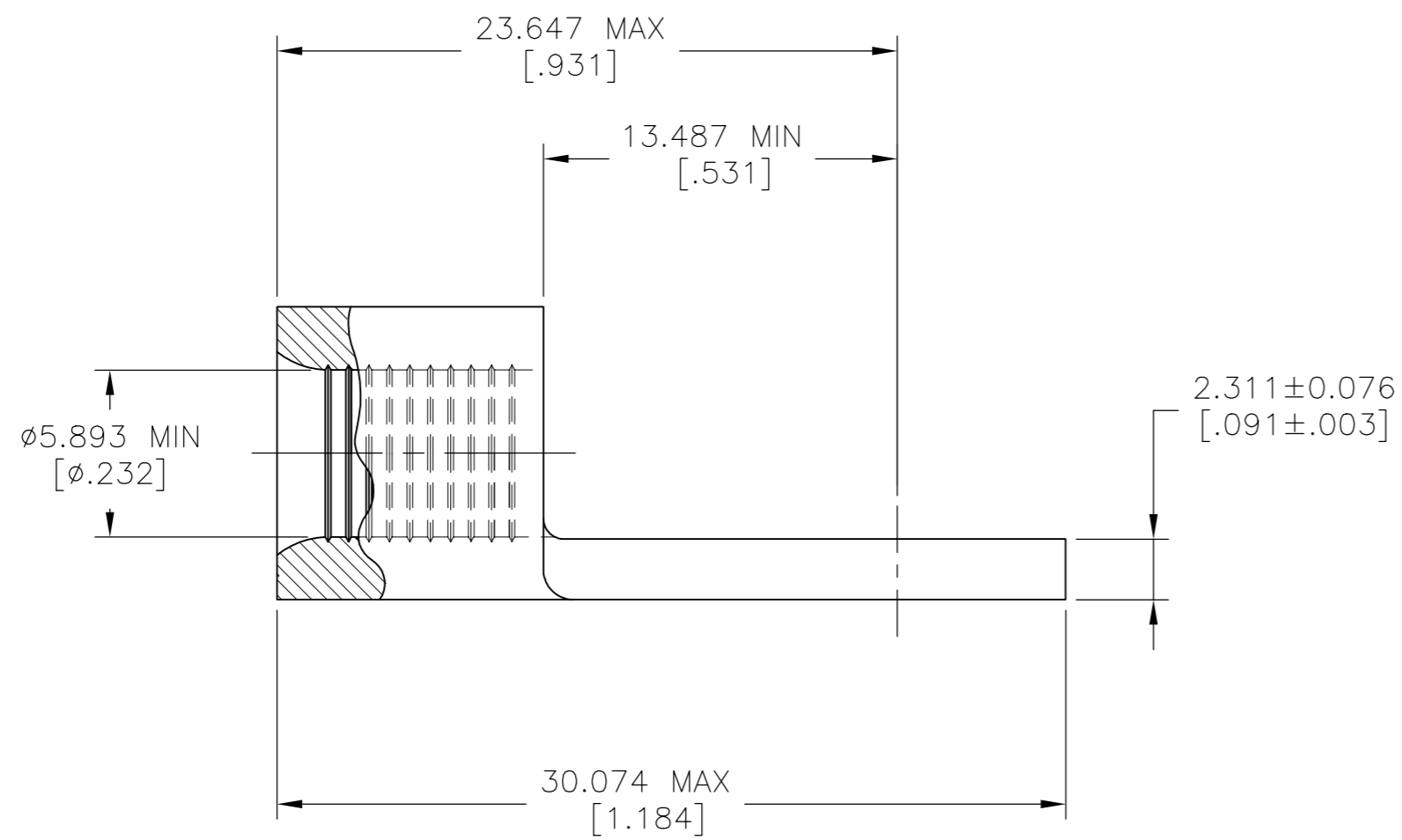
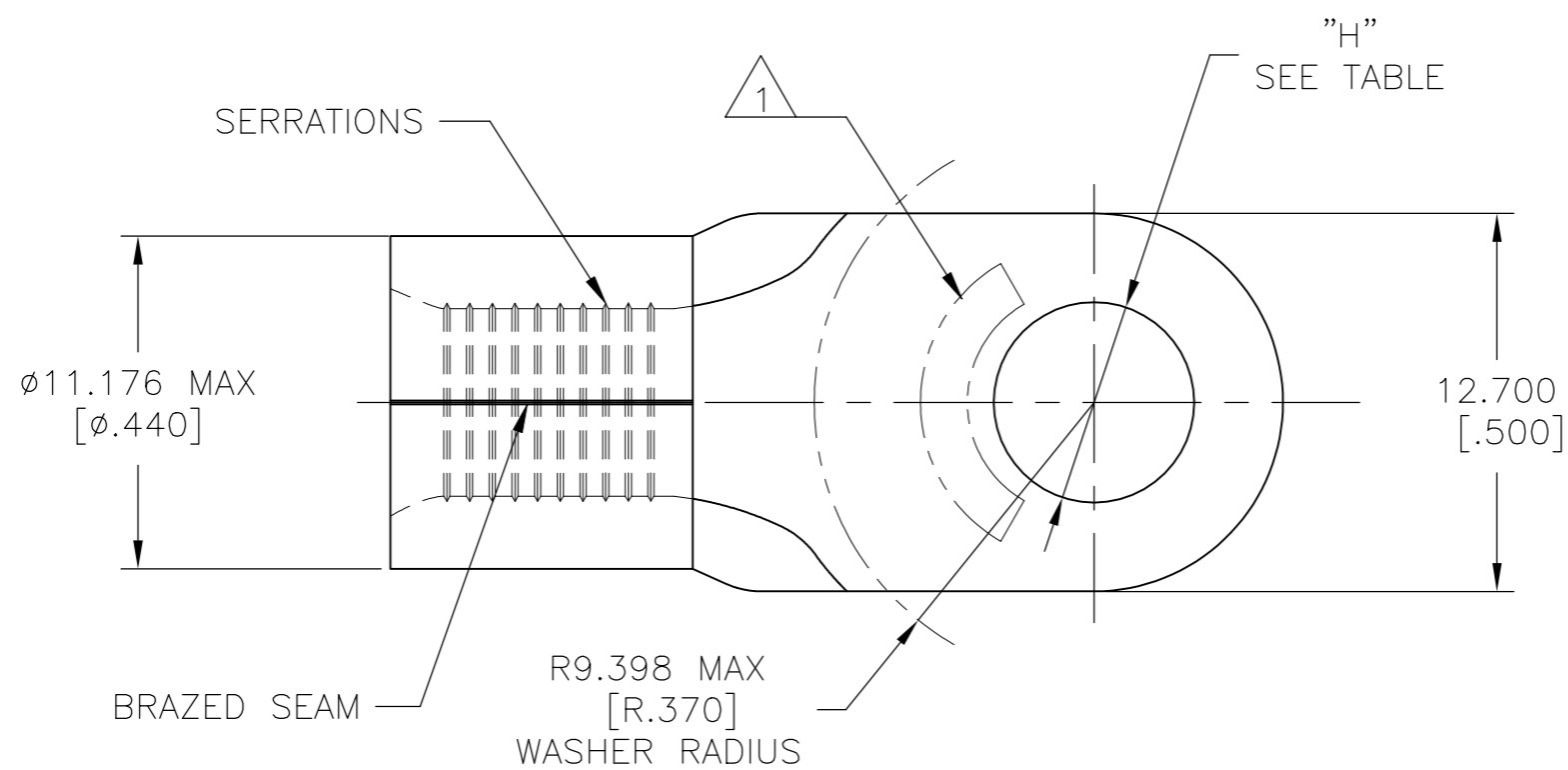


THIS DRAWING IS UNPUBLISHED. RELEASED FOR PUBLICATION
 © COPYRIGHT - TE Connectivity Ltd. ALL RIGHTS RESERVED.

REVISIONS					
P	LTR	DESCRIPTION	DATE	DWN	APVD
F		REV, RDRAWN PER 0720-0040-93	3-24-93	-	DAP
F1		REVISED PER ECO-17-008806	19FEB2018	RS	DR



AMP WIRE RANGE	E13288 Listed
6HD AWG SOLID OR STRANDED	6HD AWG STRANDED
LR7189 Certified	MILITARY P/N AND CLASS
6HD AWG SOLID OR STRANDED	NOT APPLICABLE

STAMP AMP 6HDW* APPROX AS SHOWN

100	LOOSE PIECE	1/4	$\phi 6.731 \pm 0.127$ [$\phi .265 \pm .005$]	330969
QTY	PACKAGE TYPE	STUD SIZE	"H"	PART NO

AMP INCORPORATED CUSTOMER SERVICE SYSTEMS		THIS DRAWING IS A CONTROLLED DOCUMENT.		DWN TA BRINKMAN 3-24-93	TE Connectivity Ltd.
FOR ADDITIONAL PRODUCT INFORMATION OR COPIES OF DRAWINGS AND TECHNICAL DOCUMENTS PRODUCT INFORMATION CENTER 1-800-522-6752		DIMENSIONS: mm [INCHES]		CHK DA PATTERSON 3-24-93	
FOR APPLICATION TOOLING ASSISTANCE CENTER 1-800-722-1111		TOLERANCES UNLESS OTHERWISE SPECIFIED: 0 PLC ± - 1 PLC ± - 2 PLC ± - 3 PLC ± 0.127[.005] 4 PLC ± - ANGLES ± -		APVD DE MILLER 3-24-93	NAME UL 486 A-B
TOOLING INFORMATION 1-800-722-1111		MATERIAL COPPER PER PER ASTM B-152 ANNEALED		PRODUCT SPEC APPLICATION SPEC	TERMINAL, RING TONGUE, HEAVY DUTY, SOLISTRAND™ 6 AWG
FOR ORDER ENTRY 1-800-526-5142		WIRE CROSS SECTIONAL AREA RANGE, 10.5-16.8mm²[20,800-33,100] CIR MILS SOLID OR STRANDED		FINISH TIN PLATE 0.00254[.000100] MIN THK PER ASTM B545	SIZE A2
				WEIGHT	CAGE CODE 00779
				CUSTOMER DRAWING	DRAWING NO C=330969
				RESTRICTED TO	SCALE 4:1
					SHEET 1 OF 1
					REV F1

X-ON Electronics

Largest Supplier of Electrical and Electronic Components

Click to view similar products for [Terminals](#) category:

Click to view products by [TE Connectivity](#) manufacturer:

Other Similar products are found below :

[00-054007-01074-6](#) [00-054007-70206-1](#) [00-054007-70210-8](#) [00-054007-70217-7](#) [00-054007-70226-9](#) [00-054007-70228-3](#) [00-054007-70248-1](#) [00-054007-70256-6](#) [00-054007-70301-3](#) [00-054007-70316-7](#) [00-054007-49560-4](#) [00-054007-70209-2](#) [00-054007-70225-2](#) [00-054007-70227-6](#) [00-054007-70231-3](#) [00-054007-70241-2](#) [00-054007-70242-9](#) [00-054007-70244-3](#) [00-054007-70246-7](#) [00-054007-70263-4](#) [00-054007-70288-7](#) [00-054007-70290-0](#) [00-054007-70300-6](#) [00-054007-70304-4](#) [01-2065-1-0216](#) [01-2900-1-04412](#) [00581P0075](#) [600TS-10](#) [60205-1](#) [604200-1](#) [605601-1](#) [60598-1-CUT-TAPE](#) [61314-6-C](#) [61810-3](#) [61-S](#) [61-SN](#) [626-0194](#) [62-NBM-A](#) [62-SN](#) [62-SP](#) [63-S](#) [640179-1](#) [M55155/059I03](#) [M55155/079C01](#) [M55155/099H02](#) [M55155/109H01](#) [M55155/109H02](#) [M55155/12XH05](#) [M55155/16XH02](#) [M55155/29-5S](#)