

THIS DRAWING IS UNPUBLISHED.

RELEASED FOR PUBLICATION

20

© COPYRIGHT 20 BY -

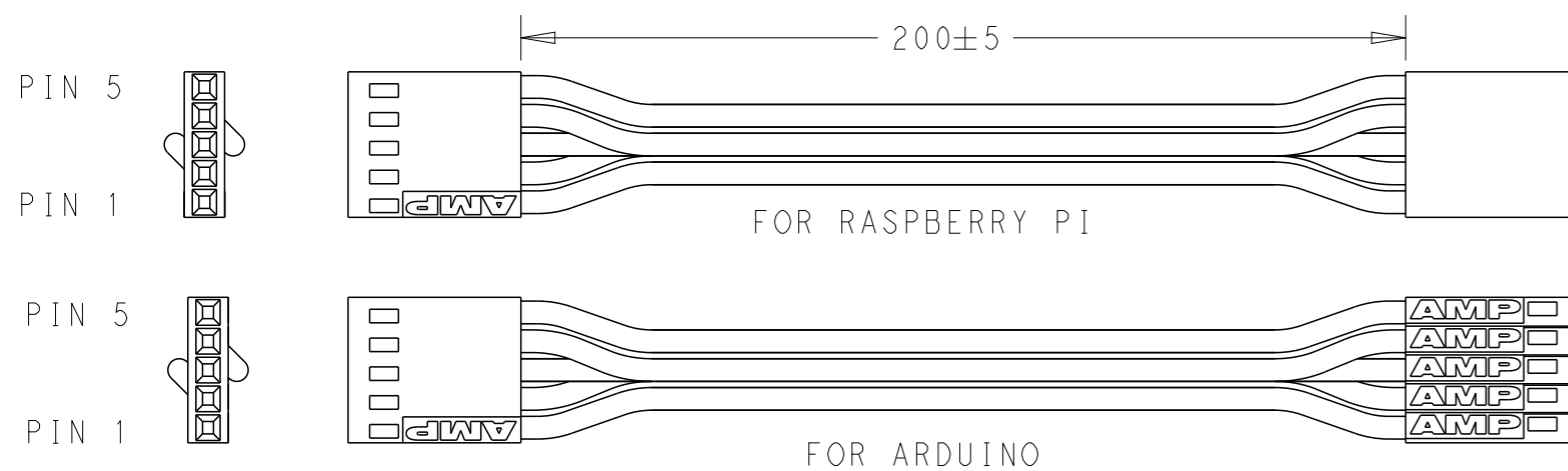
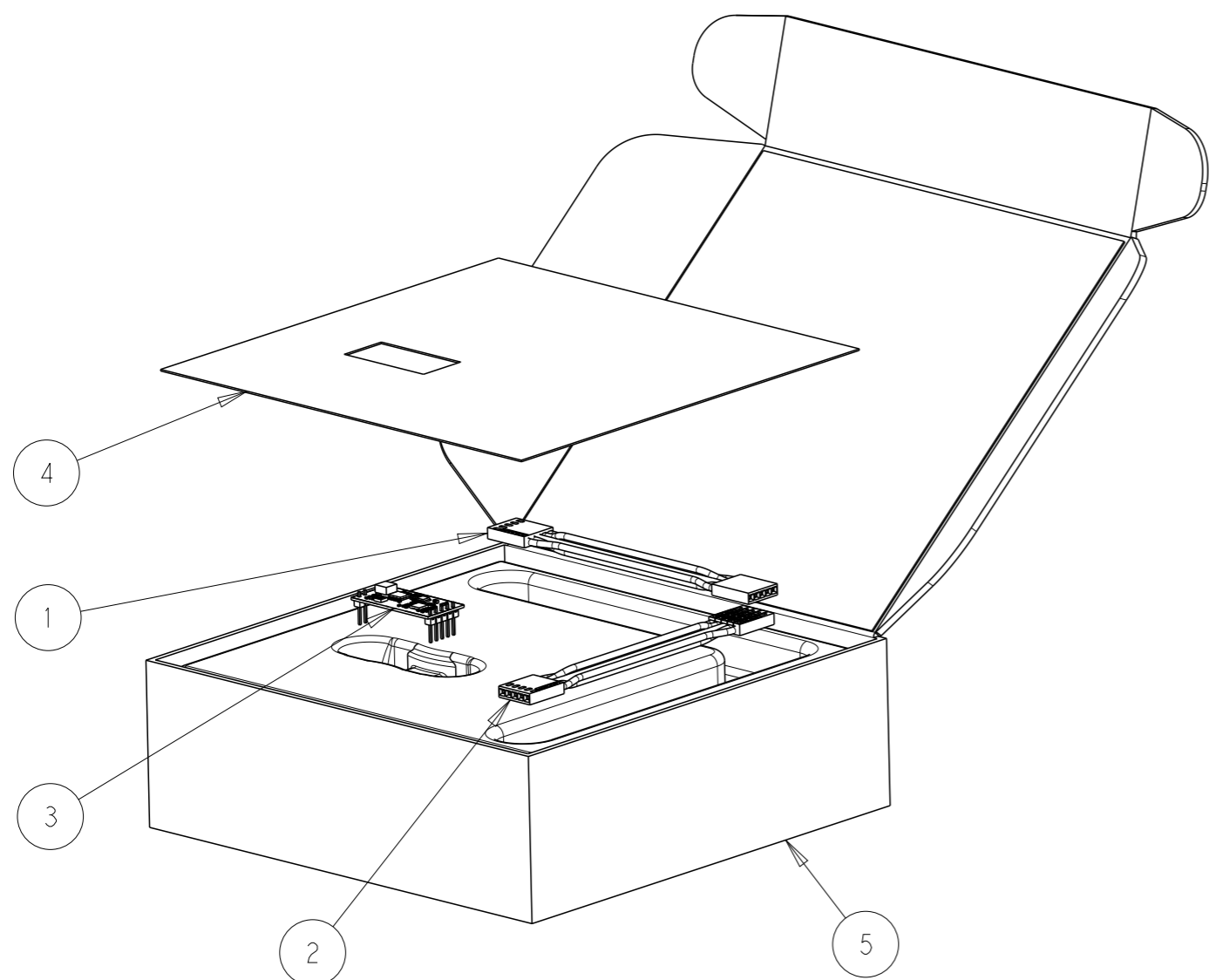
ALL RIGHTS RESERVED.

REVISIONS

| P | LTR | DESCRIPTION | DATE | DWN | APVD |
|---|-----|---|-----------|-----|------|
| | A | RELEASED FOR PRODUCTION | 04JUL2018 | SM | OL |
| | B | FOAM PACKING REPLACED WITH PLASTIC TRAY | 29MAY2019 | RS | SM |
| | | | | | |
| | | | | | |

NOTE:

- REFER TO APPLICATION SPECIFICATION 114-133115 FOR MORE DETAILS.
- REFER WWW.TE.COM/AMBIMATE TO DOWNLOAD APPLICATION SOFTWARE



| | | | | |
|-----------|-----------|-----------|---------------------------------|------|
| 1 | 1 | 1 | PACKING BOX | 5 |
| 1 | 1 | 1 | INLAY | 4 |
| - | - | 1 | AMBIMATE KIT, MS4, TH | 3 |
| - | 1 | - | AMBIMATE KIT, MS4, TH, WITH MIC | |
| 1 | - | - | AMBIMATE KIT, MS4, TH, WITH CO2 | 2 |
| 1 | 1 | 1 | ARDUINO CABLE ASSY | 1 |
| 1 | 1 | 1 | RASPBERRY PI CABLE ASSY | |
| 2331211-2 | 2331211-2 | 2331211-1 | DESCRIPTION | ITEM |

THIS DRAWING IS A CONTROLLED DOCUMENT.

| DIMENSIONS: | | TOLERANCES UNLESS OTHERWISE SPECIFIED: | |
|-------------|--|--|------|
| mm | | 0 PLC | ±- |
| | | 1 PLC | ±0.5 |
| | | 2 PLC | ±- |
| | | 3 PLC | ±- |
| | | 4 PLC | ±- |
| MATERIAL | | ANGLES | ±- |
| | | FINISH | ±- |

| | | |
|------------------|------------|-----------|
| DWN | RAVI.S | 06MAR2018 |
| CHK | SUBHASH.M | 06MAR2018 |
| APVD | OLAF.L | 06MAR2018 |
| PRODUCT SPEC | 108-133092 | |
| APPLICATION SPEC | 114-133115 | |
| WEIGHT | - | |
| CUSTOMER DRAWING | | |

| | | | |
|---------------------------|-----------|------------|---------------|
| TE TE Connectivity | | | |
| NAME AMBIMATE KIT, MS4 | | | |
| SIZE | CAGE CODE | DRAWING NO | RESTRICTED TO |
| A3 | 00779 | C-2331211 | - |
| SCALE | | SHEET | REV |
| 1:2 | | 1 OF 1 | B |

X-ON Electronics

Largest Supplier of Electrical and Electronic Components

Click to view similar products for [Multiple Function Sensor Modules](#) category:

Click to view products by [TE Connectivity](#) manufacturer:

Other Similar products are found below :

[AD5T](#) [MM7150-AB1](#) [SIBA5-JRAB-DKL](#) [2314277-1](#) [2314277-2](#) [2314291-1](#) [ZMW-SENSOR-1](#) [2316851-1](#) [1-2314277-2](#) [2316852-1](#)
[2331211-3](#) [2316852-2](#) [2316851-2](#) [1-2314277-1](#) [CS-95HSS-A](#) [CS-20SHSS-A](#) [CS-125HSS-A](#) [CS-205SSS-A](#) [CS-125SSS-A](#) [CS-95SSS-A](#)
[eATVS-4](#) [eATVS-8](#) [tvLYT](#) [NGM_1](#) [SKU-7000](#) [DFR0759](#) [SG-Link-200](#) [V-Link-200](#) [MNS2-9-IN-VM-005](#) [MNS2-9-W2-VD-DC](#) [MNS2-9-](#)
[W2-VM-005](#) [NGM-1](#) [2JCIE-BU01](#) [K6PM-THMD-EIP](#) [K6PM-THS3232](#) [WYZBEE-SENS-101](#) [OB1203SD-C4V](#) [101020932](#) [101990693](#)
[SIBA5-JRAB](#) [SIBA5-JREB](#) [SIBA5-JREB-DKL](#) [SIBA-JRA](#) [SIBA-JRAB](#) [SIBA-JRE](#) [SIBA-JREB](#) [SEK](#) [SCC30-DB](#) [Sample](#) [ESYS11X](#)
[ESYS11X+LOPY915](#) [ESYS11X+LOPY868](#)