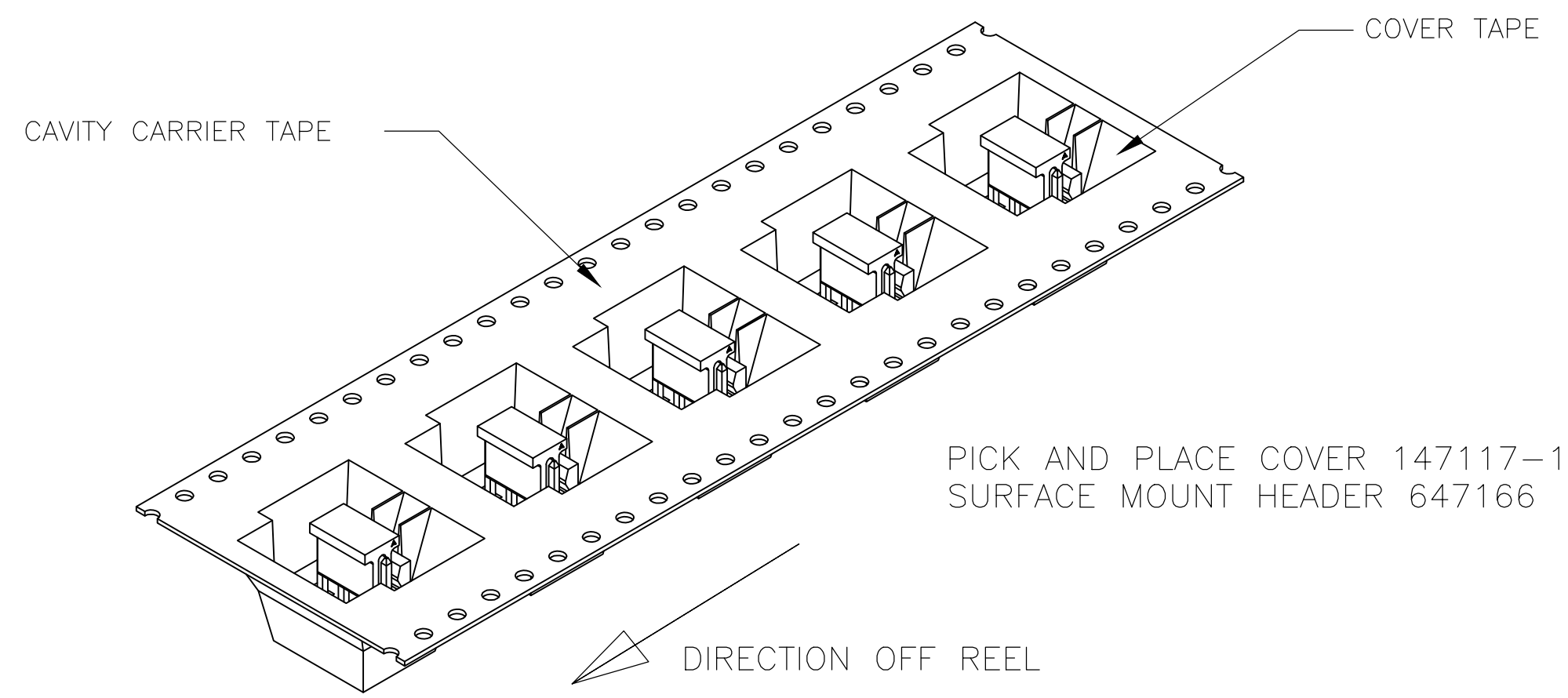
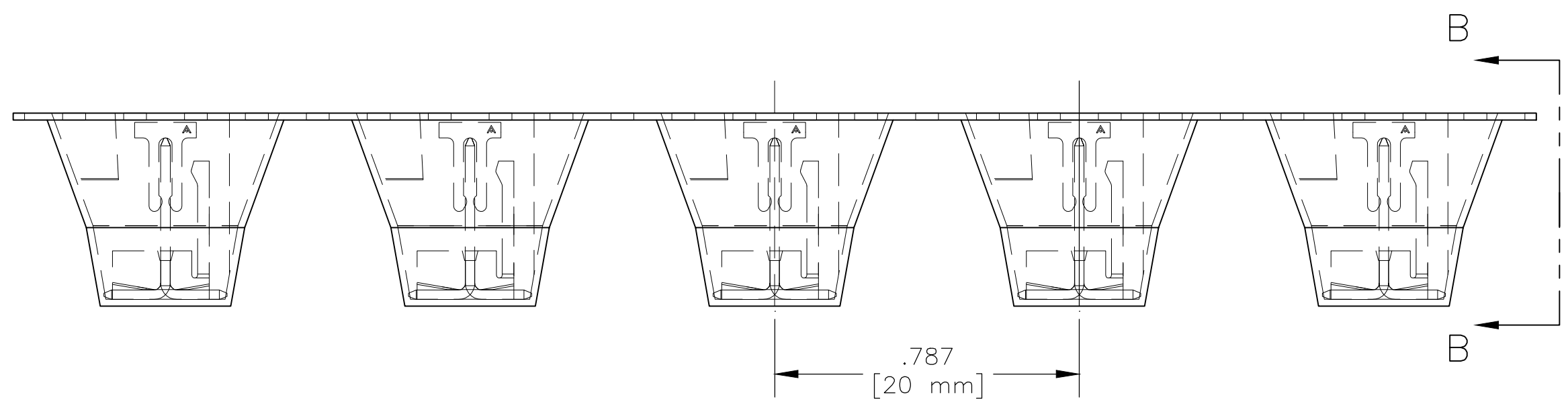
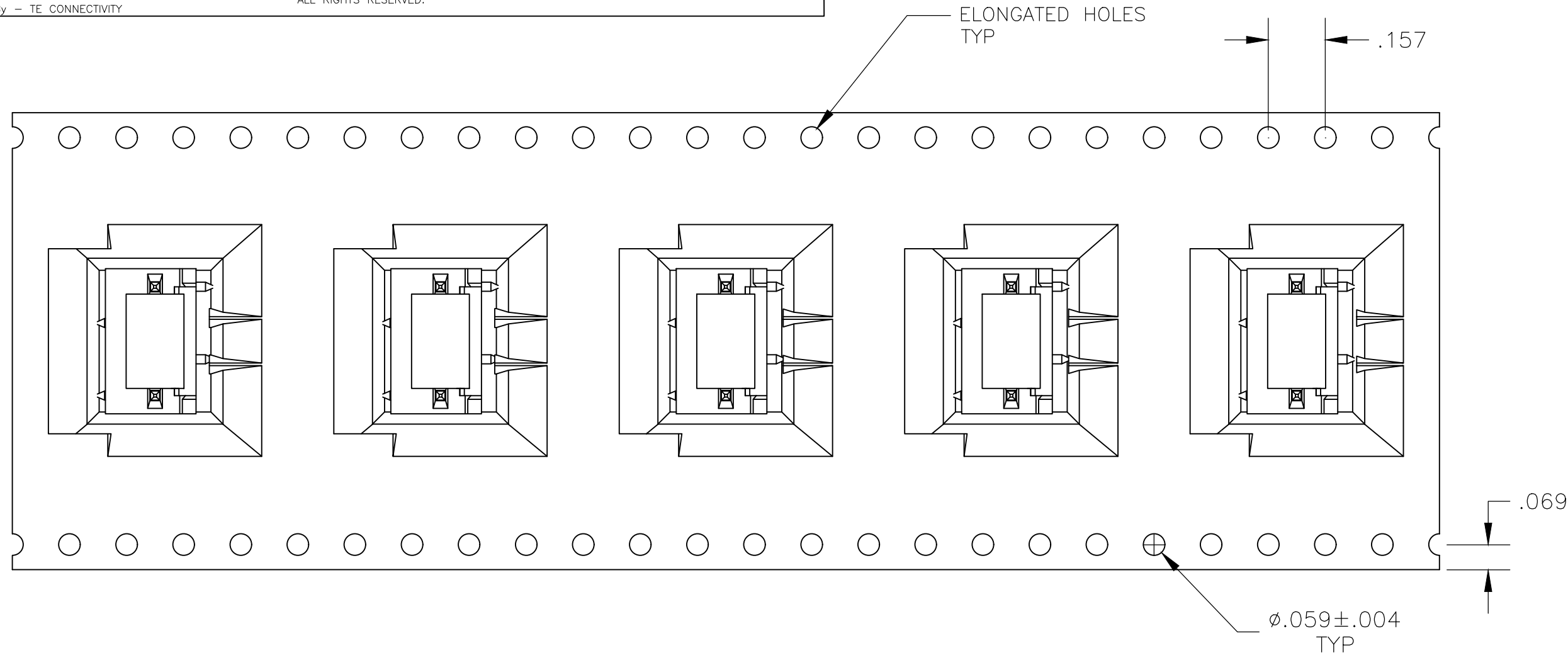
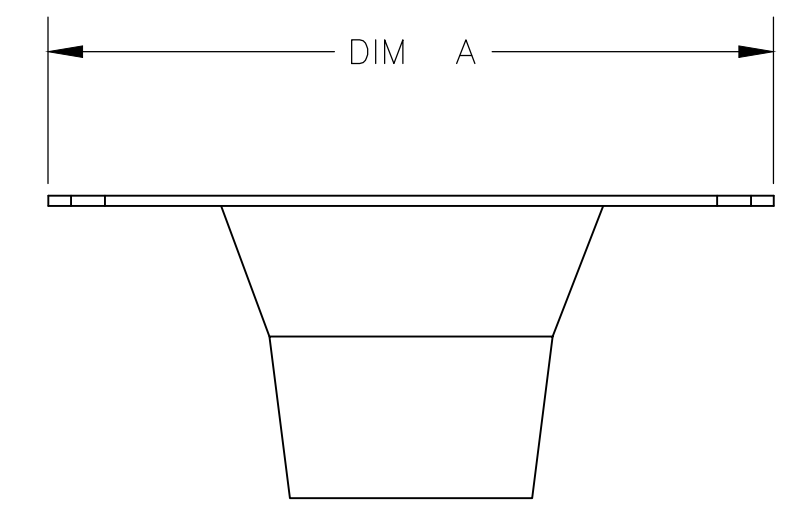


THIS DRAWING IS UNPUBLISHED. RELEASED FOR PUBLICATION
 © COPYRIGHT - By - TE CONNECTIVITY ALL RIGHTS RESERVED.

REVISIONS				
P	LTR	DESCRIPTION	DATE	APVD
A1		REVISED PER ECR-18-004355	19JUN2018	BDA SG



- 1 MATERIAL:
HOUSING- NYLON, 4/6, HIGH TEMP, BLACK.
CONTACT- COPPER ALLOY
CAVITY CARRIER TAPE- BLACK CONDUCTIVE PLOYCARBONATE
- 2 FINISH:
CONTACT - TIN PLATE
- 3 POST TO WITHSTAND 13 NEWTONS [3 LBS] MIN AXIAL FORCE IN THIS DIRECTION WITHOUT DISLODGING, BEFORE SOLDERING.
- 4 POSTS SOLDERTAILS MUST COMPLY WITH TE SOLDERABILITY SPEC 109-11-2.
- 5 MEASURED AT [-A-]
- 6 APPLIES WHEN HEADER IS HELD STRAIGHT
- 7 COORDINATE DIM APPLIES FROM CENTER OF ACTUAL FEATURE.
- 8 DIMENSION APPLY TO THE COMPONENT SIDE OF BOARD
- 9 MAX TEMP EXPOSURE DURING REFLOW SOLDERING MAY NOT EXCEED 280°C [536°F].
- 10 HEADERS ARE SUPPLIED ON A 330.2mm [13] DIAMETER REEL WITH 225 PARTS PER REEL. THE CAVITY CARRIER TAPE HOLDS 1 PART PER POCKET, ORIENTED AS SHOWN.
- 11 TE LOGO, UL AND CSA TRADEMARKS MARKED AT THIS LOACTION



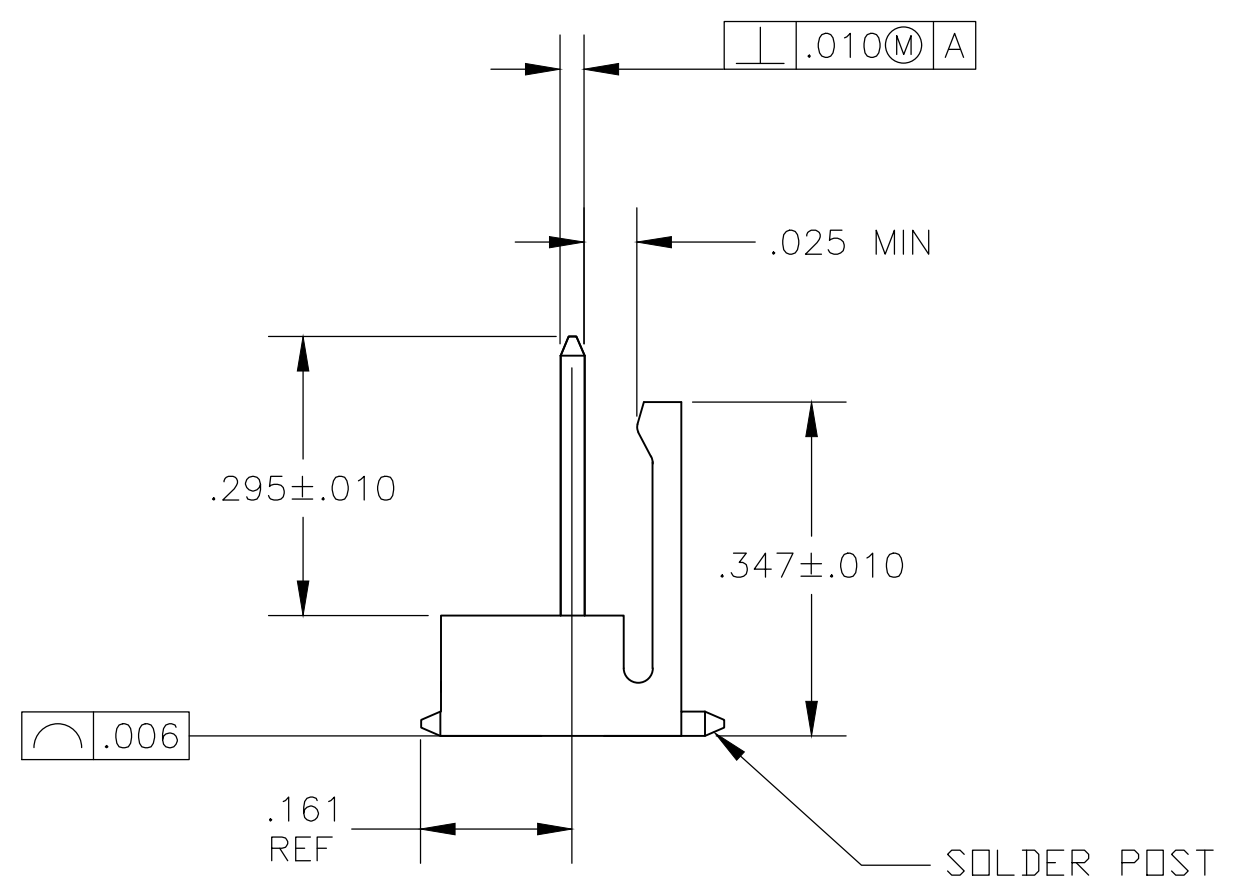
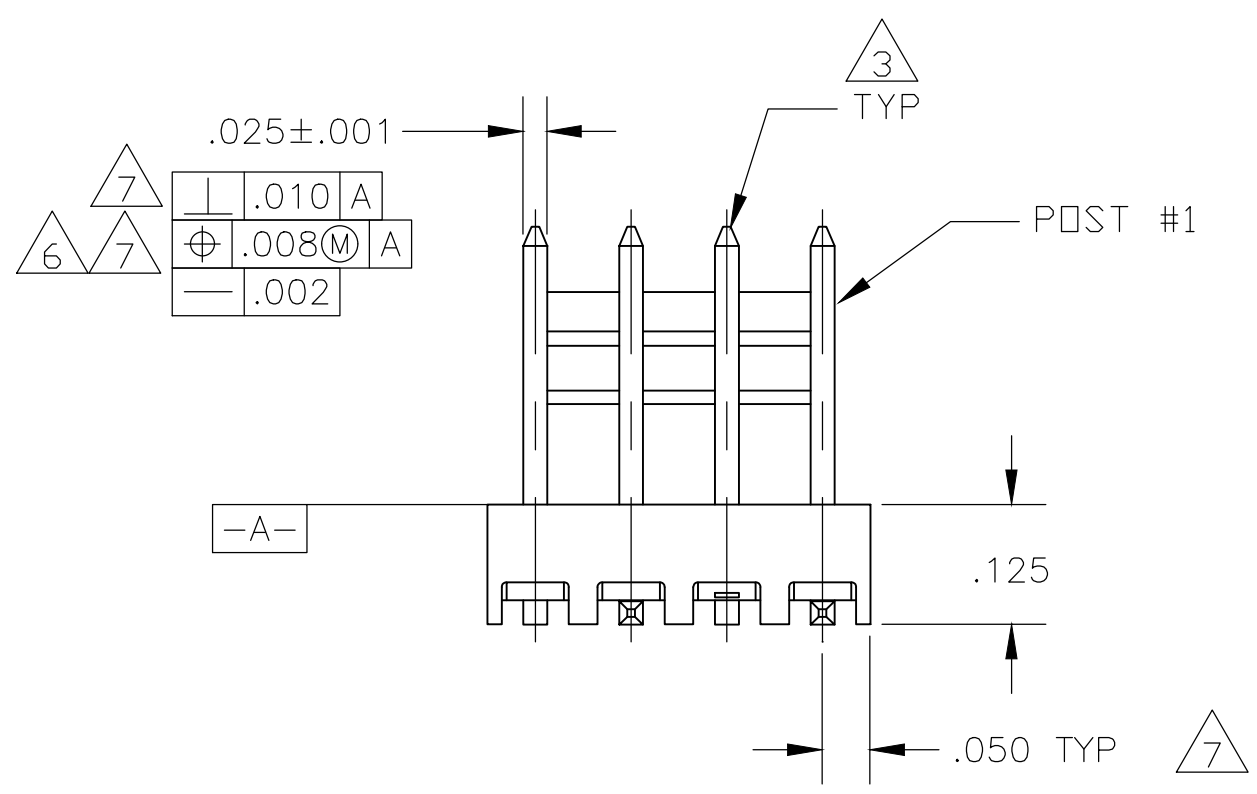
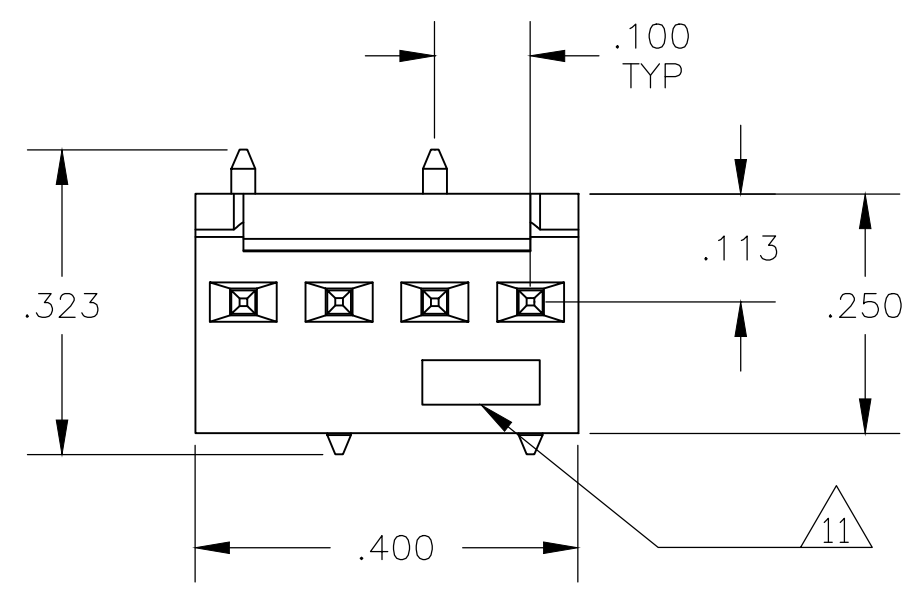
VIEW B-B

1.26 [32MM]	1 REQ'D	1 REQ'D	4	2331450-4
1.26 [32MM]	1 REQ'D	1 REQ'D	3	2331450-3
.945 [24MM]	1 REQ'D	1 REQ'D	2	2331450-2
DIM A	PICK AND PLACE COVER	HEADER ASSEMBLY	NO. OF POSITIONS	PART NO

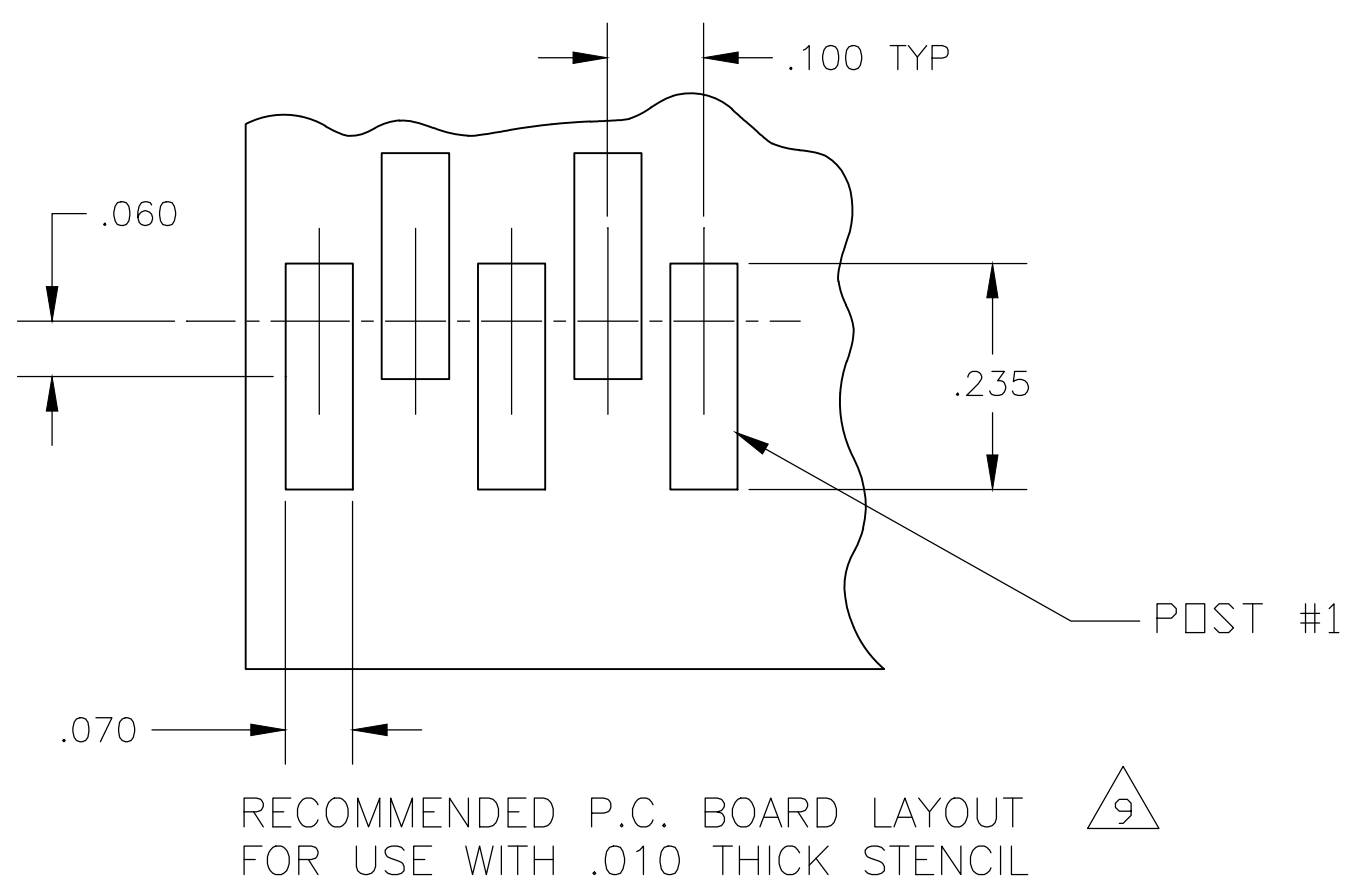
THIS DRAWING IS A CONTROLLED DOCUMENT.		DWN BASVESH WARAD 01MAR2018		
DIMENSIONS: INCHES		CHK GUERRIERO, SHAYNIA 01MAR2018		
TOLERANCES UNLESS OTHERWISE SPECIFIED:		APVD GUERRIERO, SHAYNIA 01MAR2018	NAME MTA100 HDR ASSY,SM,FL,SN, HT, T&R	
0 PLC ± -		PRODUCT SPEC	SIZE	
1 PLC ± -		APPLICATION SPEC	CAGE CODE	
2 PLC ± -			DRAWING NO	
3 PLC ± .015			RESTRICTED TO	
4 PLC ± -			A2 00779 C=2331450	
ANGLES ± 1°			SCALE 3:1 SHEET 1 of 3 REV A1	
MATERIAL	FINISH	WEIGHT	CUSTOMER DRAWING	

THIS DRAWING IS UNPUBLISHED. RELEASED FOR PUBLICATION
 © COPYRIGHT - By - ALL RIGHTS RESERVED.

REVISIONS				
P	LTR	DESCRIPTION	DATE	APVD
-	-	SEE SHEET 1	-	-



MTA-100 4P HEADER SHOWN

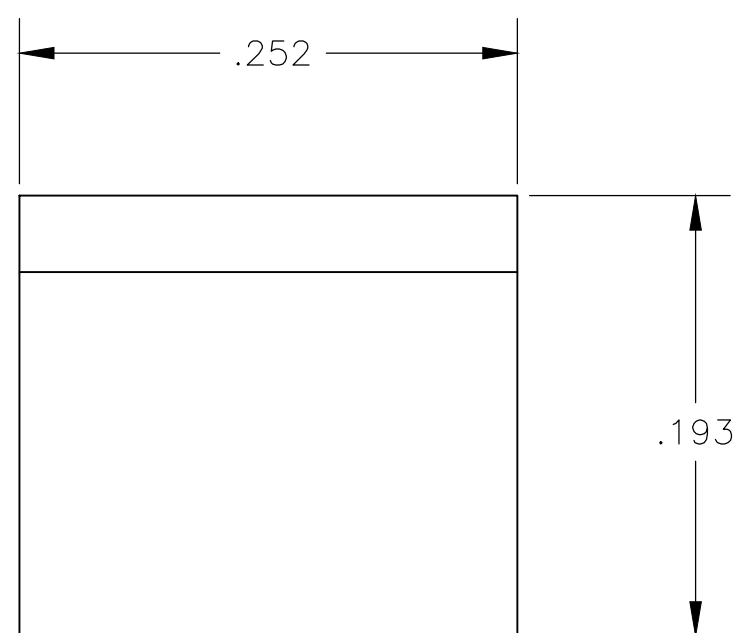
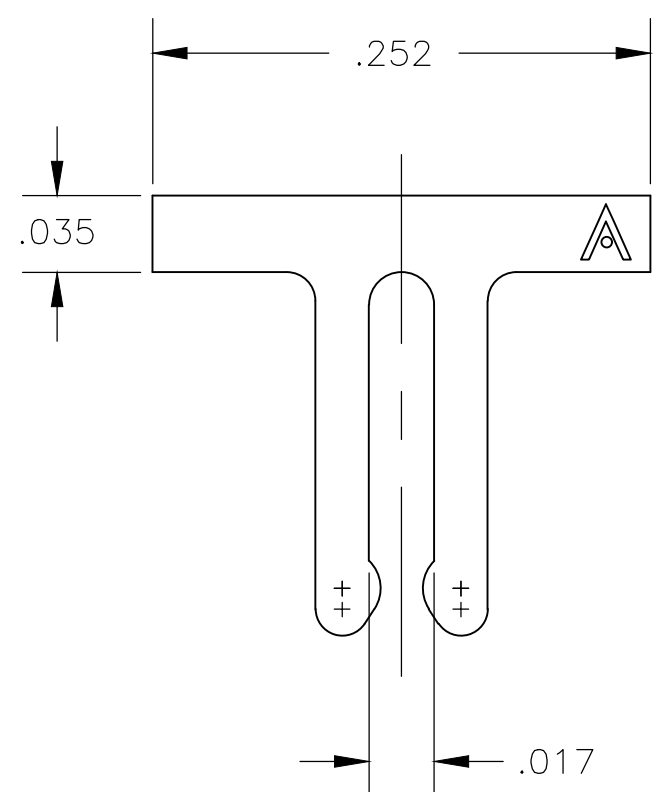


RECOMMENDED P.C. BOARD LAYOUT FOR USE WITH .010 THICK STENCIL


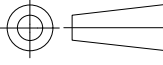
THIS DRAWING IS A CONTROLLED DOCUMENT.		DWN BASVESH WARAD 01MAR2018	TE Connectivity	
DIMENSIONS: INCHES		CHK GUERRIERO, SHAYNIA 01MAR2018		
TOLERANCES UNLESS OTHERWISE SPECIFIED:		APVD GUERRIERO, SHAYNIA 01MAR2018	NAME MTA100 HDR ASSY,SM,FL,SN, HT, T&R	
0 PLC ± -	1 PLC ± -	PRODUCT SPEC	SIZE	RESTRICTED TO
2 PLC ± -	3 PLC ± .015	APPLICATION SPEC	A2	-
4 PLC ± -	ANGLES ± 1°	WEIGHT	CAGE CODE	DRAWING NO
MATERIAL	FINISH	-	00779	C=2331450
CUSTOMER DRAWING			SCALE	SHEET
			5:1	2 of 3
			REV	A1

THIS DRAWING IS UNPUBLISHED. RELEASED FOR PUBLICATION
 © COPYRIGHT - By - ALL RIGHTS RESERVED.

REVISIONS				
P	LTR	DESCRIPTION	DATE	APVD
-	-	SEE SHEET 1	-	-



CAP FOR HEADER

THIS DRAWING IS A CONTROLLED DOCUMENT.		DWN BASVESH WARAD 01MAR2018	 TE Connectivity	
DIMENSIONS: INCHES		CHK GUERRIERO, SHAYNIA 01MAR2018		
		APVD GUERRIERO, SHAYNIA 01MAR2018	NAME MTA100 HDR ASSY,SM,FL,SN, HT, T&R	
TOLERANCES UNLESS OTHERWISE SPECIFIED: 0 PLC ± - 1 PLC ± - 2 PLC ± - 3 PLC ± .015 4 PLC ± - ANGLES ± 1°		PRODUCT SPEC -	RESTRICTED TO -	
MATERIAL -		WEIGHT -	SIZE A2	CAGE CODE 00779
FINISH -		DRAWING NO C-2331450		SCALE 10:1
		CUSTOMER DRAWING		SHEET 3 of 3
				REV A1

X-ON Electronics

Largest Supplier of Electrical and Electronic Components

Click to view similar products for [Headers & Wire Housings](#) category:

Click to view products by [TE Connectivity](#) manufacturer:

Other Similar products are found below :

[95000-104TRLF](#) [10135584-644402LF](#) [DF62W-EP2022PCA](#) [95000-106TRLF](#) [DF62W-2022SCA](#) [DF62W-EP2022PC](#) [2203348](#) [DF62W-2022SC](#) [1084018](#) [1029039](#) [1084017](#) [802-10-012-10-002000](#) [1112640](#) [1112639](#) [000-34000](#) [0009482033](#) [0009507031](#) [57102-S06-03LF](#) [57202-S52-04LF](#) [PCN6-15S-2.5E](#) [0039019024](#) [58102-G61-06LF](#) [582553-1](#) [0009485154](#) [0009508121](#) [0022285053](#) [0050291907](#) [018731A](#) [LY20-4P-DT1-P1E-BR](#) [02.125.8002.8](#) [60101931](#) [60598-1 \(Cut Strip\)](#) [M1625-3R/100](#) [61062-3](#) [61082-181009](#) [636-1427](#) [638009-1](#) [641938-9](#) [641991-4](#) [644168-1](#) [647662-1](#) [65039-019ELF](#) [65781-047](#) [65817-002LF](#) [65817-015LF](#) [65863-015LF](#) [66207-023LF](#) [67016-026LF](#) [67046-001LF](#) [67095-007LF](#)