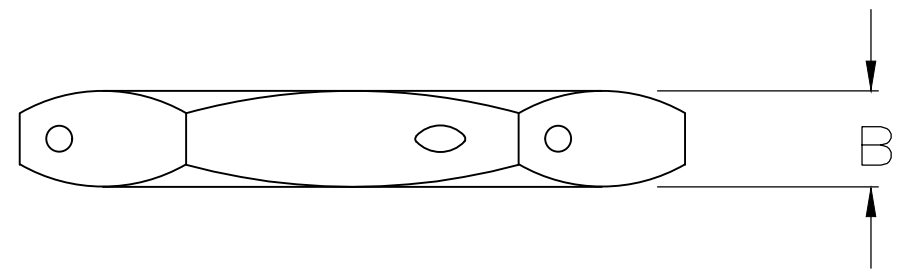
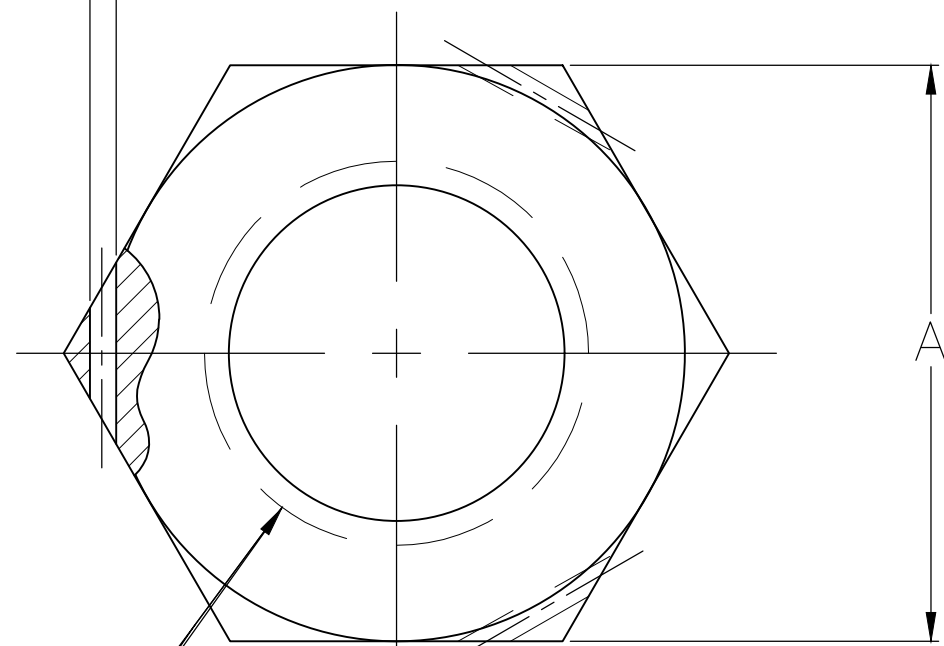


THIS DRAWING IS UNPUBLISHED. RELEASED FOR PUBLICATION
 © COPYRIGHT - By - ALL RIGHTS RESERVED.

REVISIONS					
P	LTR	DESCRIPTION	DATE	DWN	APVD
D1		REVISED PER ECO-16-002001	25MAY2016	LN	RS

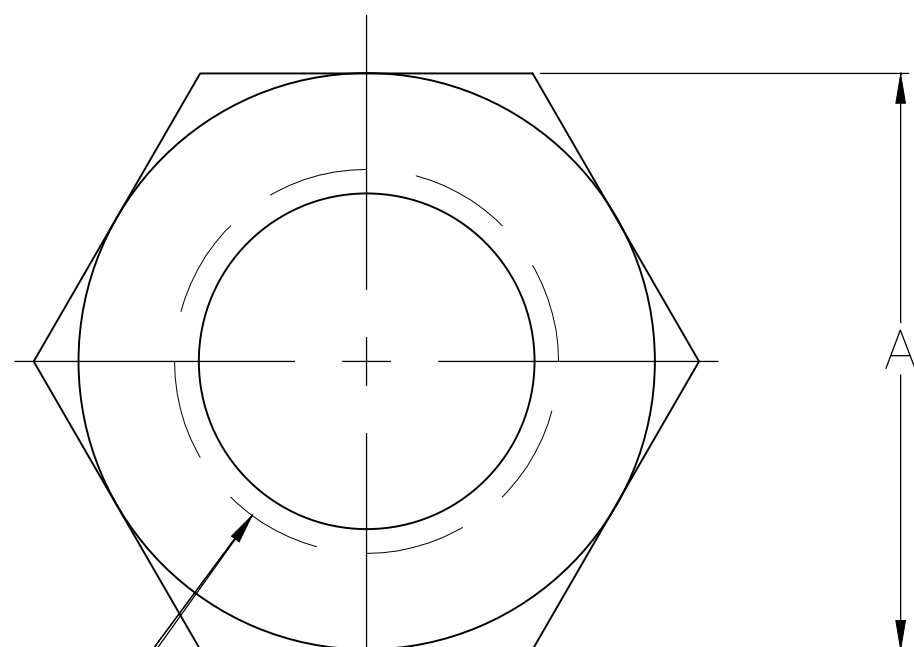


$\phi 0.79 \pm 0.13$
 $[.031 \pm .005]$
 3 HOLES 120° APART



THREADS, SEE TABLE

VIEW X



THREADS, SEE TABLE

VIEW Y
 SAME AS VIEW X EXCEPT AS SHOWN

- 1 SILVER PLATE PER QQ-S-365, 5.08 μ m[.000200] MIN THK
- 2 GOLD PLATE PER MIL-G-45204, 1.27 μ m[.000050] MIN THK
- 3 NICKEL PLATE PER QQ-N-290, 2.54 μ m[.000100] MIN THK
- 4 PASSIVATE PER QQ-P-35
- 5 5/8-24 UNEF-2B
- 6 7/16-28 UNEF-2B
- 7 1/4-36 UNS-2B

	X	5	3.18 [.125]	19.05 \pm 0.38[.750 \pm .015]	1	BRASS PER QQ-B-626	9-332004-1
	Y	5	3.18 [.125]	19.05 \pm 0.38[.750 \pm .015]	1	BRASS PER QQ-B-626	9-332004-0
	X	5	3.18 [.125]	19.05 \pm 0.38[.750 \pm .015]	3	BRASS PER QQ-B-626	2-332004-3
	Y	7	1.57 [.062]	7.92 \pm 0.38[.312 \pm .015]	3	BRASS PER QQ-B-626	2-332004-2
	Y	7	1.57 [.062]	7.92 \pm 0.38[.312 \pm .015]	4	SST PER ASTM-A-582	2-332004-0
OBSOLETE	X	5	3.18 [.125]	19.05 \pm 0.38[.750 \pm .015]	1	BRASS PER QQ-B-626	1-332004-9
	Y	5	3.18 [.125]	19.05 \pm 0.38[.750 \pm .015]	3	BRASS PER QQ-B-626	1-332004-7
	Y	7	1.57 [.062]	7.92 \pm 0.38[.312 \pm .015]	2	SST PER ASTM-A-582	1-332004-5
	Y	7	1.57 [.062]	7.92 \pm 0.38[.312 \pm .015]	-	SST PER ASTM-A-582	1-332004-4
OBSOLETE	Y	5	3.18 [.125]	19.05 \pm 0.38[.750 \pm .015]	1	BRASS PER QQ-B-626	1-332004-0
	VIEW	THREADS	B	A	FINISH	MATERIAL	PART NUMBER

THIS DRAWING IS A CONTROLLED DOCUMENT.		DWN M. SNEED 5-18-93	STE TE Connectivity	
DIMENSIONS: mm [INCHES]		CHK J. DUNBAR 5-18-93		
TOLERANCES UNLESS OTHERWISE SPECIFIED:		APVD M. SNEED 5-18-93	NAME JAM NUT	
0 PLC \pm -		PRODUCT SPEC	SIZE A2	
1 PLC \pm -		APPLICATION SPEC	CAGE CODE 00779	
2 PLC \pm 0.20[.008]			DRAWING NO C=332004	
3 PLC \pm -			RESTRICTED TO -	
4 PLC \pm -			SCALE 4:1	
ANGLES \pm -			SHEET 1 OF 1	
MATERIAL SEE TABLE	FINISH SEE TABLE	WEIGHT 0.000000	REV D1	
CUSTOMER DRAWING				

X-ON Electronics

Largest Supplier of Electrical and Electronic Components

Click to view similar products for [Screws & Fasteners](#) category:

Click to view products by [TE Connectivity](#) manufacturer:

Other Similar products are found below :

[5721-1440-1/4-SS](#) [593503FX](#) [0098.0094](#) [0098.9206](#) [0098.9219](#) [0098.9262](#) [596-2114-013](#) [59781-6](#) [0098.0026](#) [0098.9210](#) [0098.9212](#) [60227-01](#) [60227-04](#) [60227-08](#) [60687-01](#) [LOCK WASHER Black](#) [62153-11](#) [M316-KSSTMCZ100](#) [M3440-SS](#) [M3442-SS](#) [M3448-SS](#) [6292-1](#) [6-306105-9](#) [6-306131-4](#) [690432-1](#) [699161-000](#) [7230-3](#) [7244](#) [7248-1](#) [7248-2](#) [745564-1](#) [F1209](#) [751-00001](#) [7680](#) [809704-1](#) [8700](#) [8860220](#) [9047](#) [9521](#) [992326-6](#) [992763-3](#) [1-18024-0](#) [1-18028-2](#) [A168P1](#) [A495P1](#) [1-24921-1](#) [125416-1](#) [1260](#) [13-0036](#) [1301810148](#) [1301810313](#)