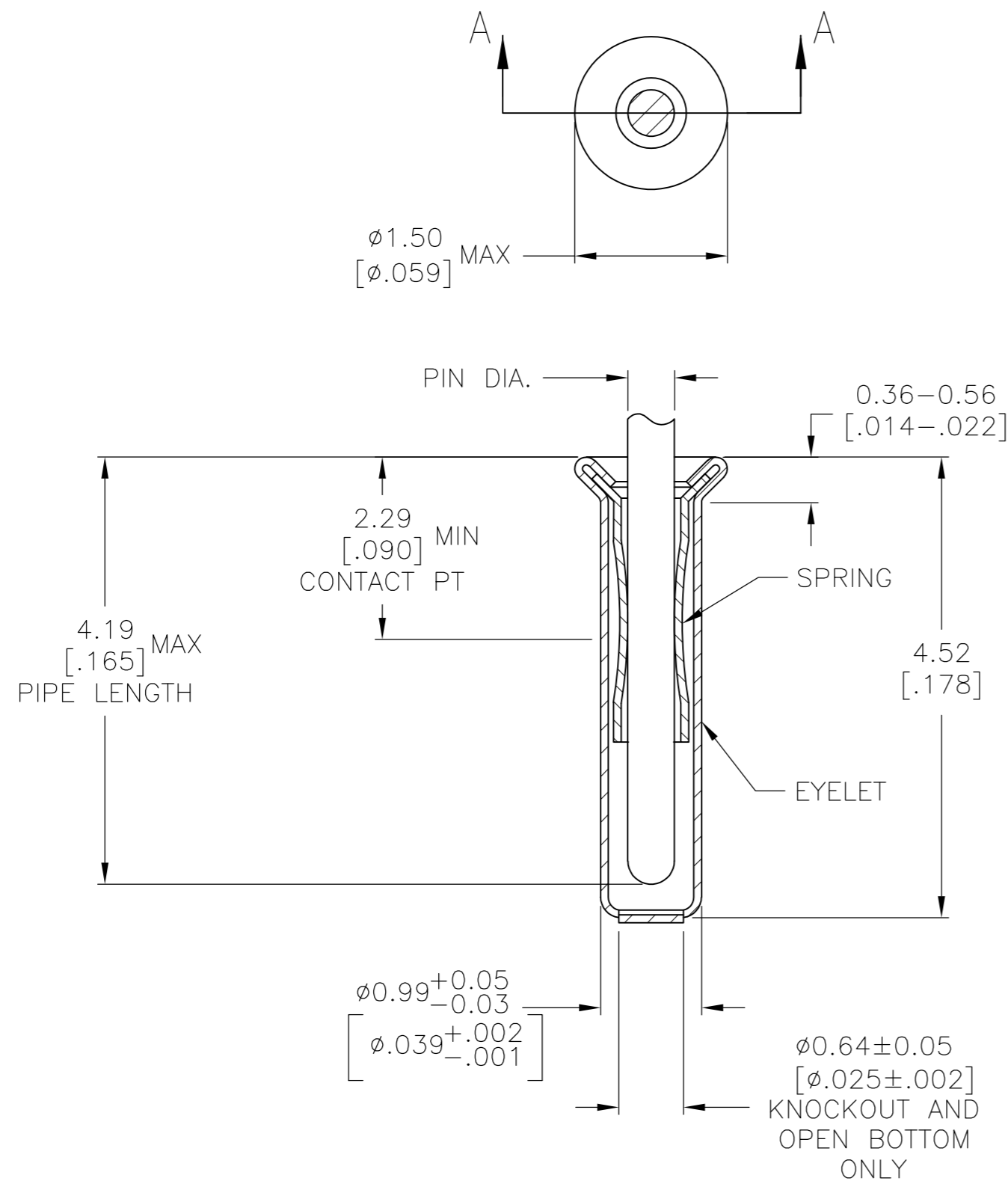


THIS DRAWING IS UNPUBLISHED. RELEASED FOR PUBLICATION
 © COPYRIGHT - By - ALL RIGHTS RESERVED.

LOC	DIST	REVISIONS					
FT	64	P	LTR	DESCRIPTION	DATE	DWN	APVD
		AA2		REVISED PER ECO-11-004835	11MAR11	RK	HMR



SECTION A-A

- 1. TIN PER MIL-T-10727 OR TIN LEAD .000254 [.000100] MIN THK.
- 2. GOLD PER MIL-G-45204, TYPE II, 0.00076 [.000030] MIN THK OVER NICKEL PER QQ-N-290 0.00028 [.000011] MIN THK ON CONTACT AREA.
- 3. GOLD FLASH PER MIL-G-45204, TYPE II, 0.13µm [.000005] MIN THK. OVER NICKEL PLATE PER QQ-N-290 0.51µm-1.52µm [.000020-.000060] EXT THK.
- 4. RECOMMENDED HOLE SIZE, PLATED OR UNPLATED:
 MACHINE INSERTION: 1.04±0.03 [.041±.001]
 HAND INSERTION: 1.04 ^{+0.10}/_{-0.00} [.041^{+.004}/_{-.000}]
- 5. APPLICATION TOOL PART NUMBER:
 MACHINE NO. 682127-2
 INSERTION HEAD NO. 682039-1
- 6. TO INSURE PROPER SPRING TENSION DO NOT EXCEED A 0.10 [.004] DIFFERENCE IN PIN DIA WHEN CHANGING TO A SMALLER PIN.
- 7. BOTTOM PLUG KNOCKOUT TOOL PART NUMBER 69729 WITH TIP PART NUMBER 69728.
- 8. MATERIAL; SPRING: BERYLLIUM COPPER (QQ-C-533)
 EYELET: COPPER (QQ-C-576)

SUPSD BY	OBsolete	OPEN	0.33-0.51 [.013-.020]	TIN	GOLD	2-332095-6
1-332095-9	KNOCKOUT	0.41-0.48 [.016-.019]	TIN	2-332095-5		
	OBsolete	CLOSED				2-332095-4
	OBsolete	OPEN	0.33-0.51 [.013-.020]	GOLD		2-332095-3
		KNOCKOUT				2-332095-2
		CLOSED				2-332095-1
SUPSD BY 2-332095-6	OBsolete	OPEN	0.33-0.41 [.013-.016]	TIN		2-332095-0
	OBsolete	KNOCKOUT	0.33-0.51 [.013-.020]	TIN		1-332095-9
SUPSD BY 2-332095-4		CLOSED				1-332095-8
SUPSD BY 2-332095-3		OPEN	0.33-0.41 [.013-.016]	GOLD		1-332095-7
SUPSD BY 2-332095-2		KNOCKOUT				1-332095-6
SUPSD BY 2-332095-1		CLOSED				1-332095-5
	OBsolete	CLOSED	0.33-0.51 [.013-.020]	TIN	TIN	1-332095-2
SUPSD BY 1-332095-2			0.33-0.41 [.013-.016]			332095
		BOTTOM TYPE	RECOMMENDED PIN DIA	EYELET	SPRING	PART NO
				FINISH		

THIS DRAWING IS A CONTROLLED DOCUMENT.		DWN R.TALLEY 4-5-91	TE Connectivity	
DIMENSIONS: mm [INCHES]		CHK -	NAME	
TOLERANCES UNLESS OTHERWISE SPECIFIED:		APVD -	MINIATURE SPRING SOCKET ASSEMBLY SERIES 1	
0 PLC ± -	1 PLC ± -	PRODUCT SPEC -	SIZE A2	CAGE CODE 00779
2 PLC ± -	3 PLC ± 0.20 [.008]	APPLICATION SPEC -	DRAWING NO C=332095	RESTRICTED TO -
4 PLC ± -	ANGLES ± -	WEIGHT -	SCALE 20:1	SHEET 1 OF 1
MATERIAL 8	FINISH SEE TABLE	CUSTOMER DRAWING	REV AA2	

X-ON Electronics

Largest Supplier of Electrical and Electronic Components

Click to view similar products for IC & Component Sockets category:

Click to view products by TE Connectivity manufacturer:

Other Similar products are found below :

[0066-3-17-15-30-14-02-0](#) [670](#) [672](#) [673](#) [694-13-640-00-672-000](#) [712-93-120-41-001000](#) [714-93-104-31-018000](#) [8059-4G1-LF](#) [807-22-001-10-001101](#) [807-22-001-10-006101](#) [807-22-001-30-011101](#) [807-22-001-30-012101](#) [807-22-001-30-013101](#) [807-22-001-30-014101](#) [8-1437531-4](#) [8150-6P10](#) [833-93-034-10-001000](#) [851-41-006-10-001000](#) [851-43-008-20-001000](#) [851-43-014-20-001000](#) [851-93-006-20-001000](#) [851-93-010-20-001000](#) [853-43-020-10-001000](#) [86.010.0053.0](#) [116-43-308-41-007000](#) [PX-68LCC](#) [121-13-318-41-001000](#) [121-13-320-41-001000](#) [121-13-308-41-001000](#) [123-43-314-41-801000](#) [123-43-420-41-001000](#) [123-87-320-41-001101](#) [122-13-316-41-001000](#) [123-13-624-41-001000](#) [123-43-306-41-001000](#) [12-3513-11](#) [123-91-320-41-001000](#) [126-43-310-41-002000](#) [AKSUN 37V-T](#) [1437503-9](#) [1437504-1](#) [146-44-308-41-013000](#) [APO-320-G-T](#) [146-43-308-41-012000](#) [160-10-308-00-001000](#) [160-40-320-00-001000](#) [214-99-306-01-670800](#) [232-1270-02-0602](#) [2-382761-4](#) [2-5331677-4](#)