

THIS DRAWING IS UNPUBLISHED.

RELEASED FOR PUBLICATION

March ,2018.

© COPYRIGHT 2018 TE Connectivity Ltd.

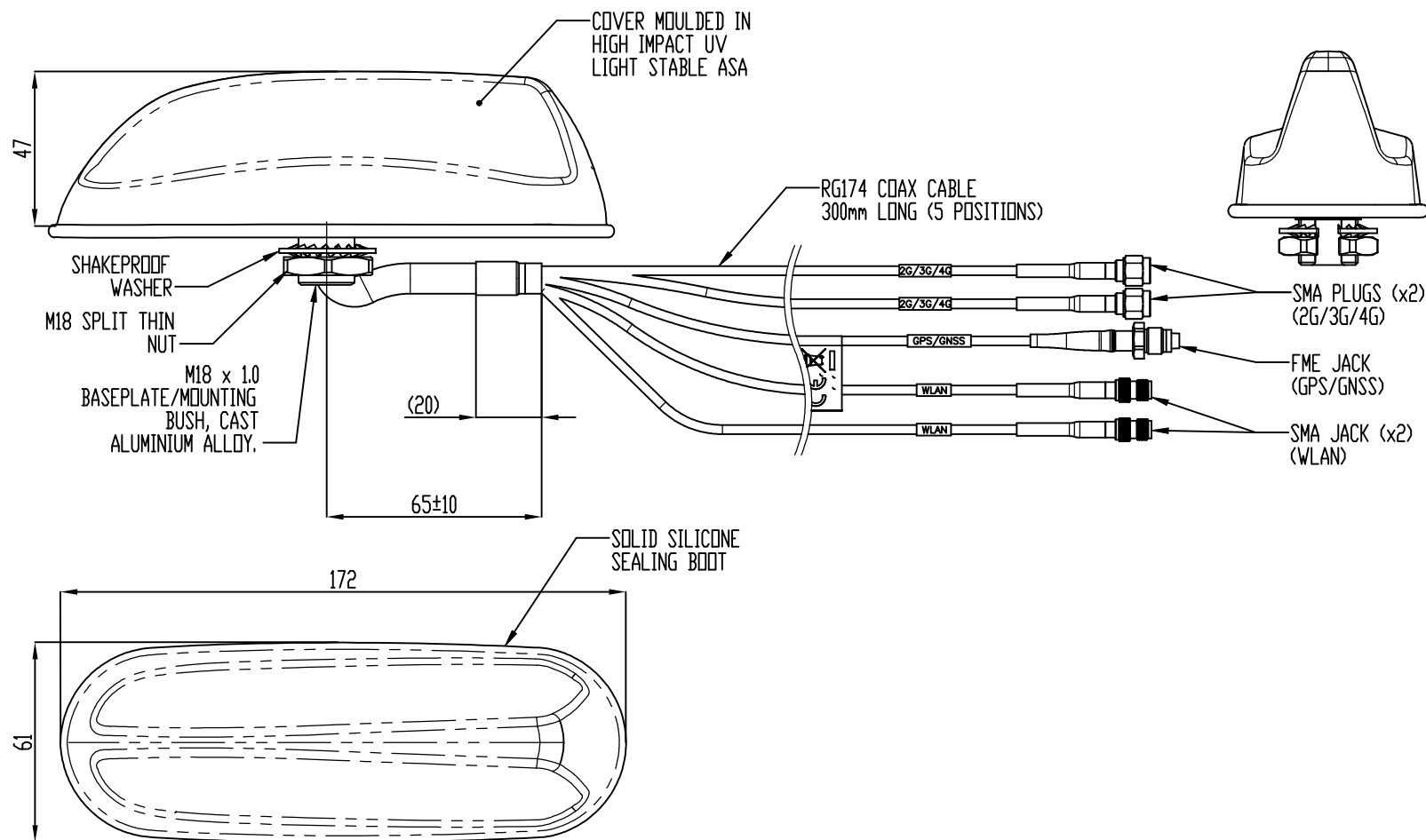
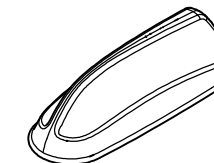
ALL RIGHTS RESERVED.

REVISIONS

P	LTR	DESCRIPTION	DATE	DWN	APVD
	A	INITIAL RELEASE	23MAR2018	GK	ES

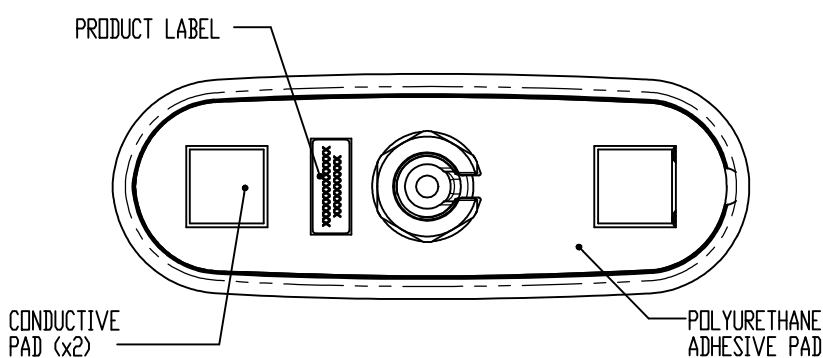
1x EARTH WASHER (SUPPLIED LOOSE)

ISO VIEW SCALE 1:5



NOTES:

- OPERATING FREQUENCIES:
 CELLULAR: 698–960/1710–3800 MHz
 WIFI : 2.4/5.0 GHz
 GPS/GNSS: 1562–1612 MHz 26dB LNA
- ALL MATERIALS SUPPLIED MUST BE RoHS2 (DIRECTIVE 2011/65/EU) COMPLIANT AND MUST NOT CONTAIN ANY SUBSTANCES OF VERY HIGH CONCERN (SVHCs) LISTED UNDER REACH OR POLY-AROMATIC HYDROCARBONS (PAHs), OR PERSISTENT ORGANIC POLLUTANTS (POPs) CONTROLLED BY THE STOCKHOLM CONVENTION.
- PATTERN: OMNI-DIRECTIONAL.
- POLARIZATION: VERTICAL
- MAX. INPUT POWER: 25W.
- OPERATING TEMPERATURE: -40°/+80°C(-40°/+176°F).
- MATERIAL: ASA, EPDM, ALUMINUM ALLOY.
- WEIGHT: 300.42g.



2332157-4	SHARK FIN MIMO 2/3/4G GPS 3X3WIFI 3M CAB	BLACK
2332157-3	SHARK FIN MIMO 2/3/4G GPS 2X2WIFI 3M CAB	
2332157-2	SHARK FIN MIMO 2/3/4G GPS 3M CABLES	
2332157-1	SHARK FIN MIMO 2/3/4G 3M CABLES	
TE P/N	DESCRIPTION	COLOR

THIS DRAWING IS A CONTROLLED DOCUMENT.

DWN 12MAR2018
 GOPALAKRISHNA H.V.
 CHK 12MAR2018
 E STELLINGA

TE TE Connectivity Ltd.

DIMENSIONS:	TOLERANCES UNLESS OTHERWISE SPECIFIED:
mm	
	0 PLC ± 0.5
	1 PLC ± 0.2
	2 PLC ± 0.1
	3 PLC ± -
	4 PLC ± -
	ANGLES ± 1°

APVD 12MAR2018
 E STELLINGA
 PRODUCT SPEC
 APPLICATION SPEC

NAME MIMO COAX GPS/GNSS 2G/3G/4G WLAN SHARKFIN ANT

MATERIAL - FINISH -

WEIGHT -

SIZE	CAGE CODE	DRAWING NO	RESTRICTED TO
A3	00779	©=2332157	-

CUSTOMER DRAWING SCALE 1:1 SHEET 1 of 1 REV A

X-ON Electronics

Largest Supplier of Electrical and Electronic Components

Click to view similar products for [Antennas](#) category:

Click to view products by [TE Connectivity](#) manufacturer:

Other Similar products are found below :

[GAN30084EU](#) [930-033-R](#) [GW17.07.0250E](#) [1513563-1](#) [EXE902SM](#) [APAMPG-117](#) [MAF94383](#) [W3908B0100](#) [W6102B0100](#) [YE572113-30RSMM](#) [108-00014-50](#) [66089-2406](#) [SPDA17RP918](#) [A09-F8NF-M](#) [A09-F5NF-M](#) [RGFRA1903041A1T](#) [W3593B0100](#) [W3921B0100](#) [SIMNA-868](#) [SIMNA-915](#) [SIMNA-433](#) [W1044](#) [W1049B090](#) [A75-001](#) [WTL2449CQ1-FRSMM](#) [CPL9C](#) [EXB148BN](#) [0600-00060](#) [TRA9020S3PBN-001](#) [Y4503](#) [GD5W-28P-NF](#) [MA9-7N](#) [GD53-25](#) [GD5W-21P-NF](#) [C37](#) [MAF94051](#) [MA9-5N](#) [EXD420PL](#) [B1322NR](#) [QWFTB120](#) [MAF94271](#) [MAF94300](#) [GPSMB301](#) [FG4403](#) [AO-AGSM-OM54](#) [5200232](#) [MIKROE-2349](#) [WCM.01.0111](#) [MIKROE-2393](#) [MIKROE-2352](#)