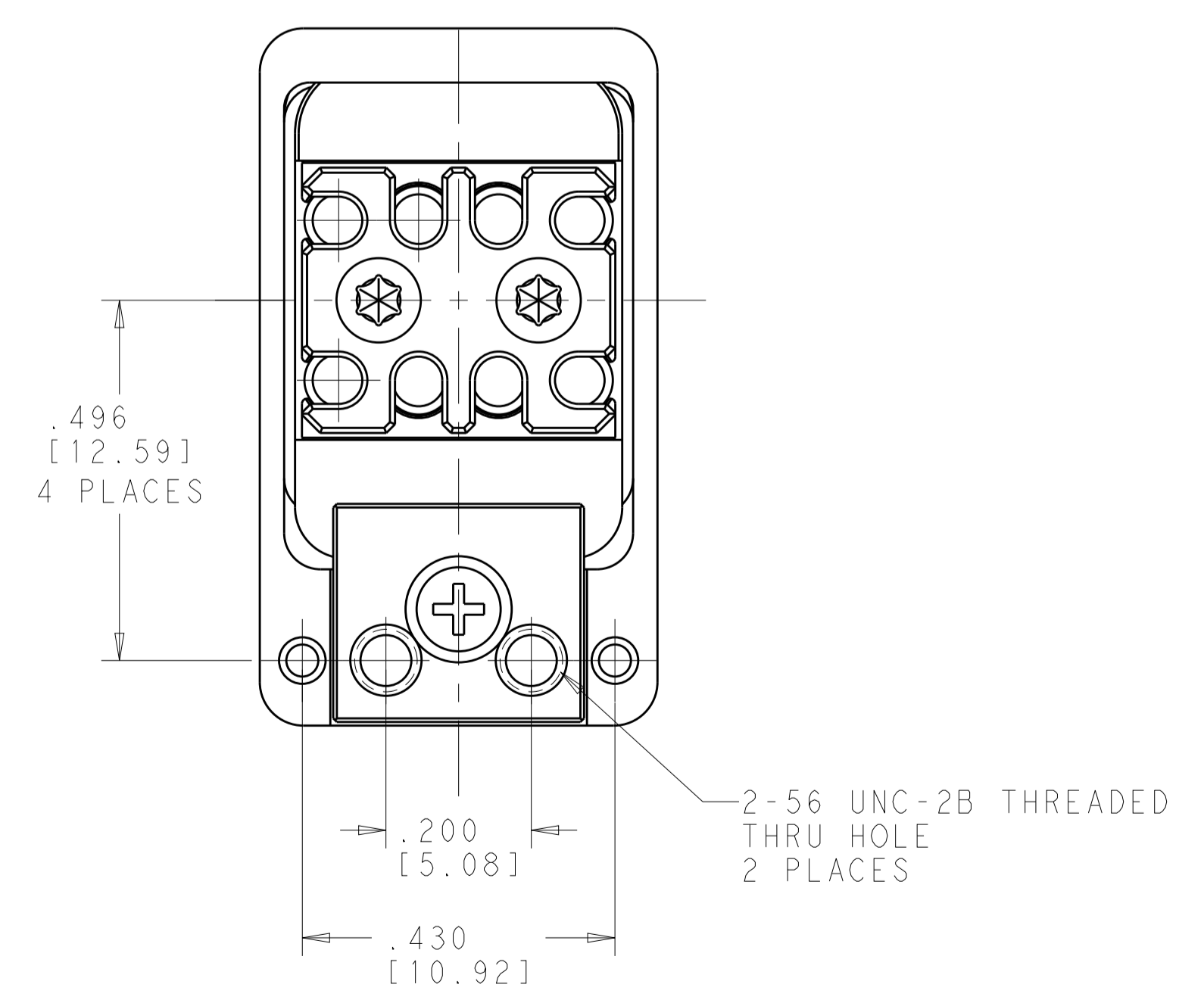
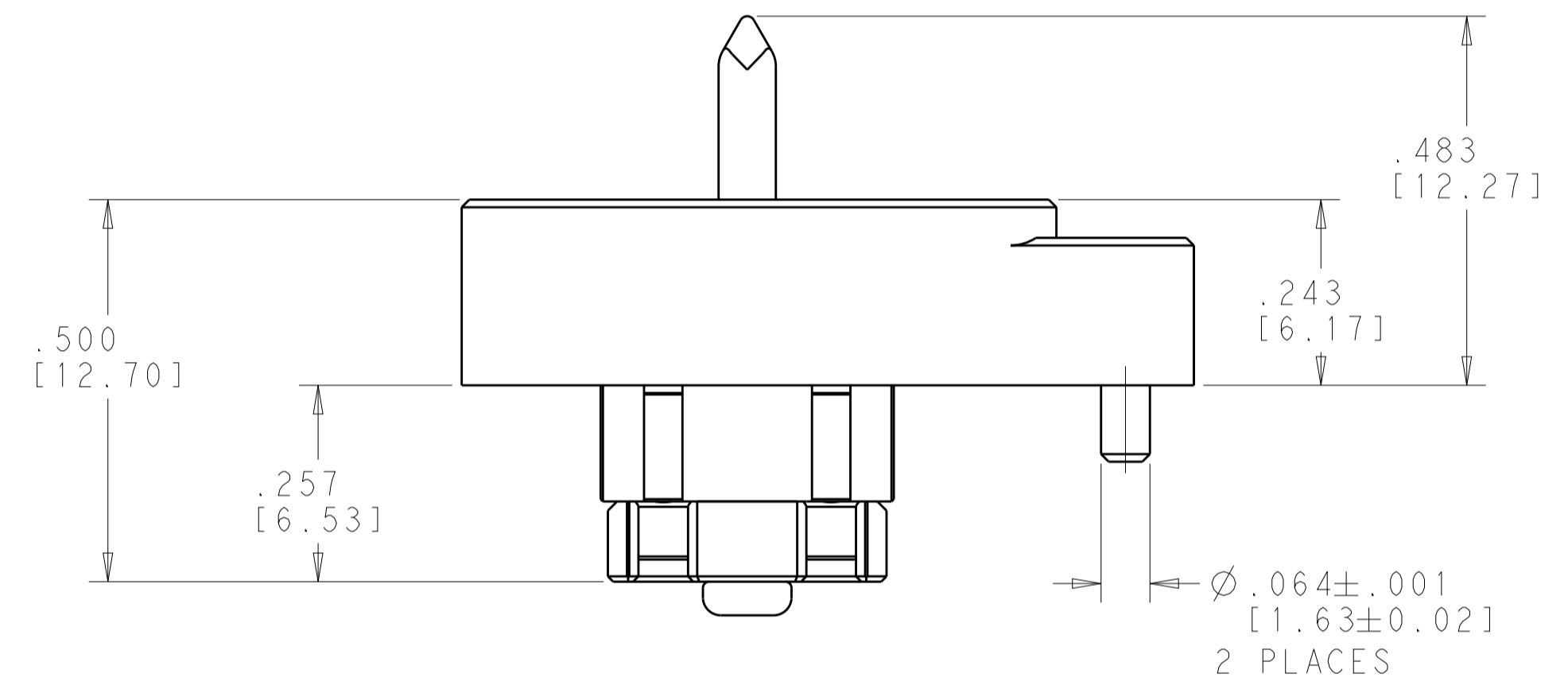
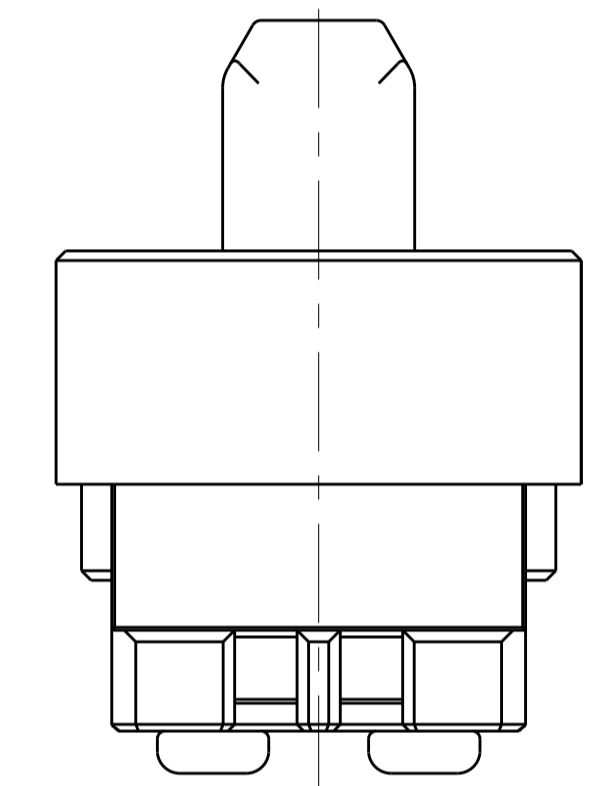
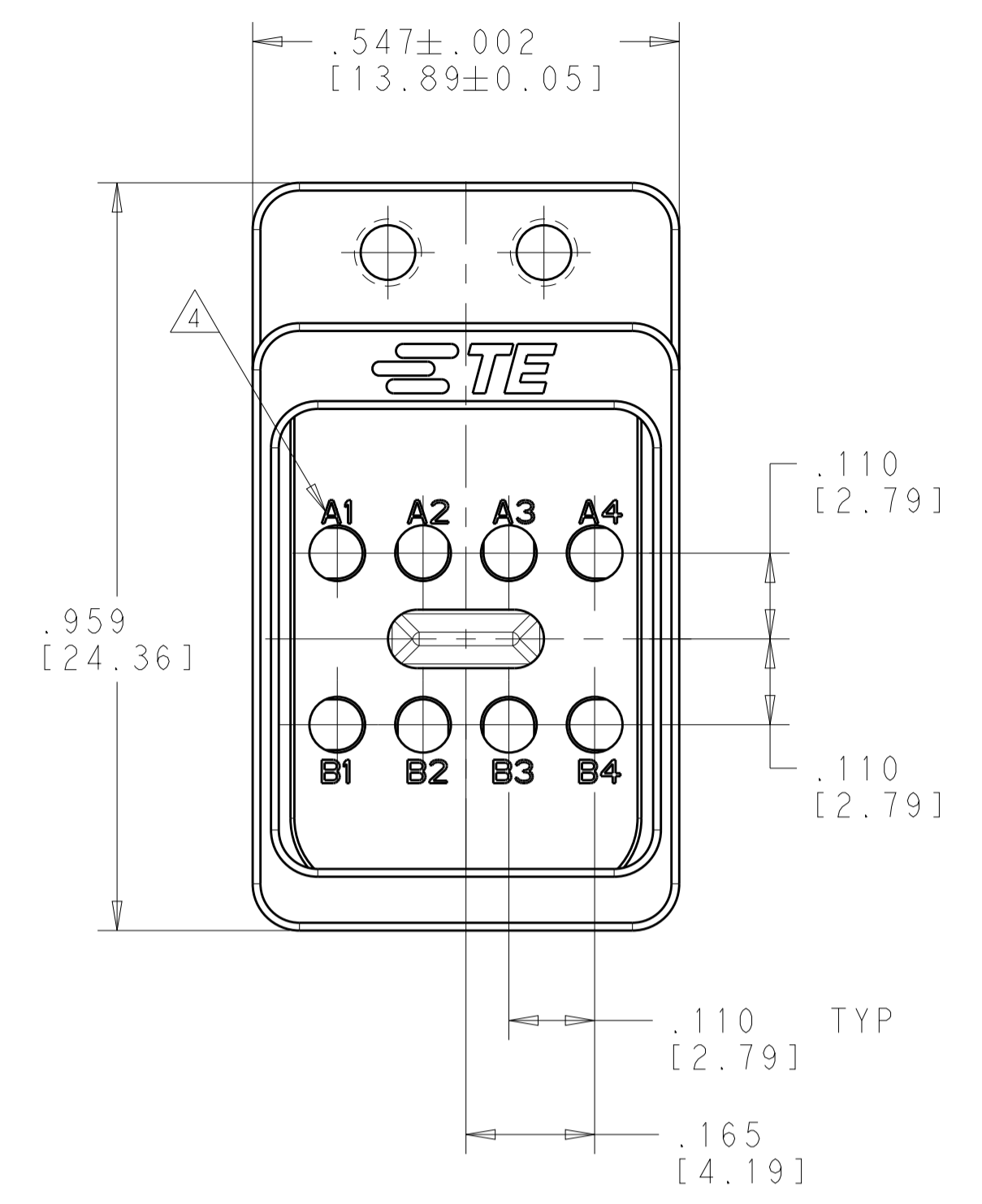
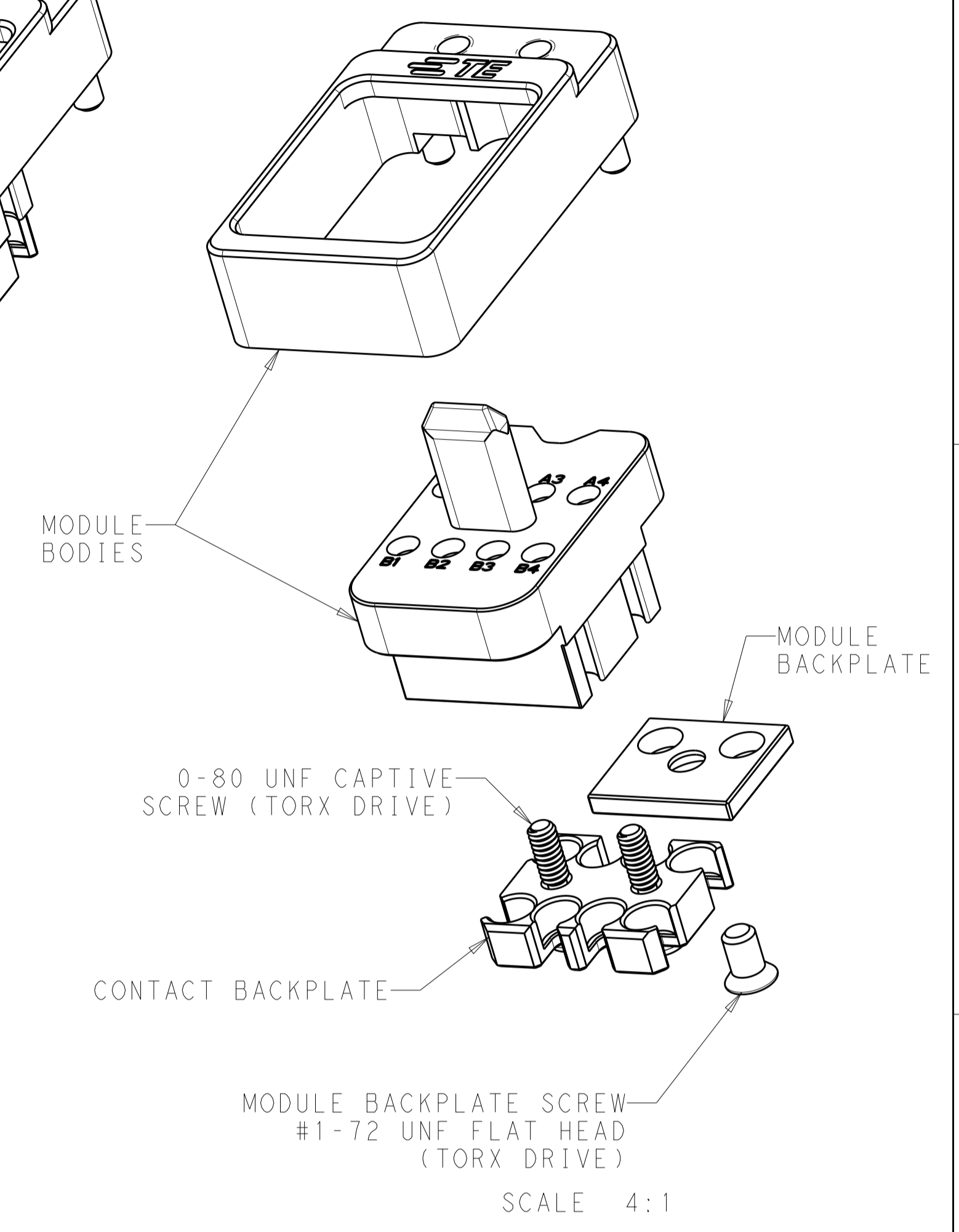
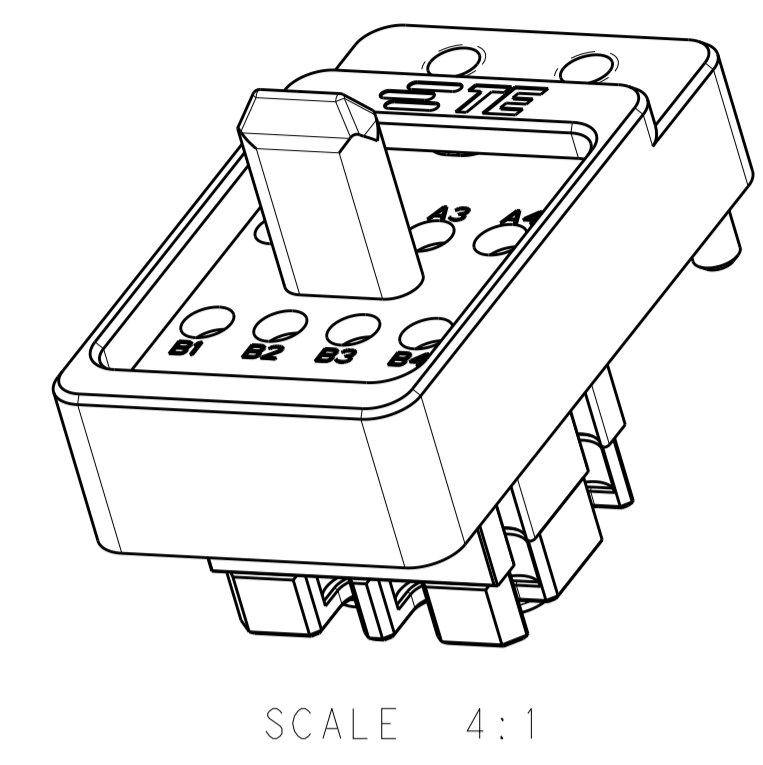


REVISIONS				
P.	LTN.	DESCRIPTION	DATE	APVD.
B	REV PER ECO	19-016099	10-22-19	CT FB



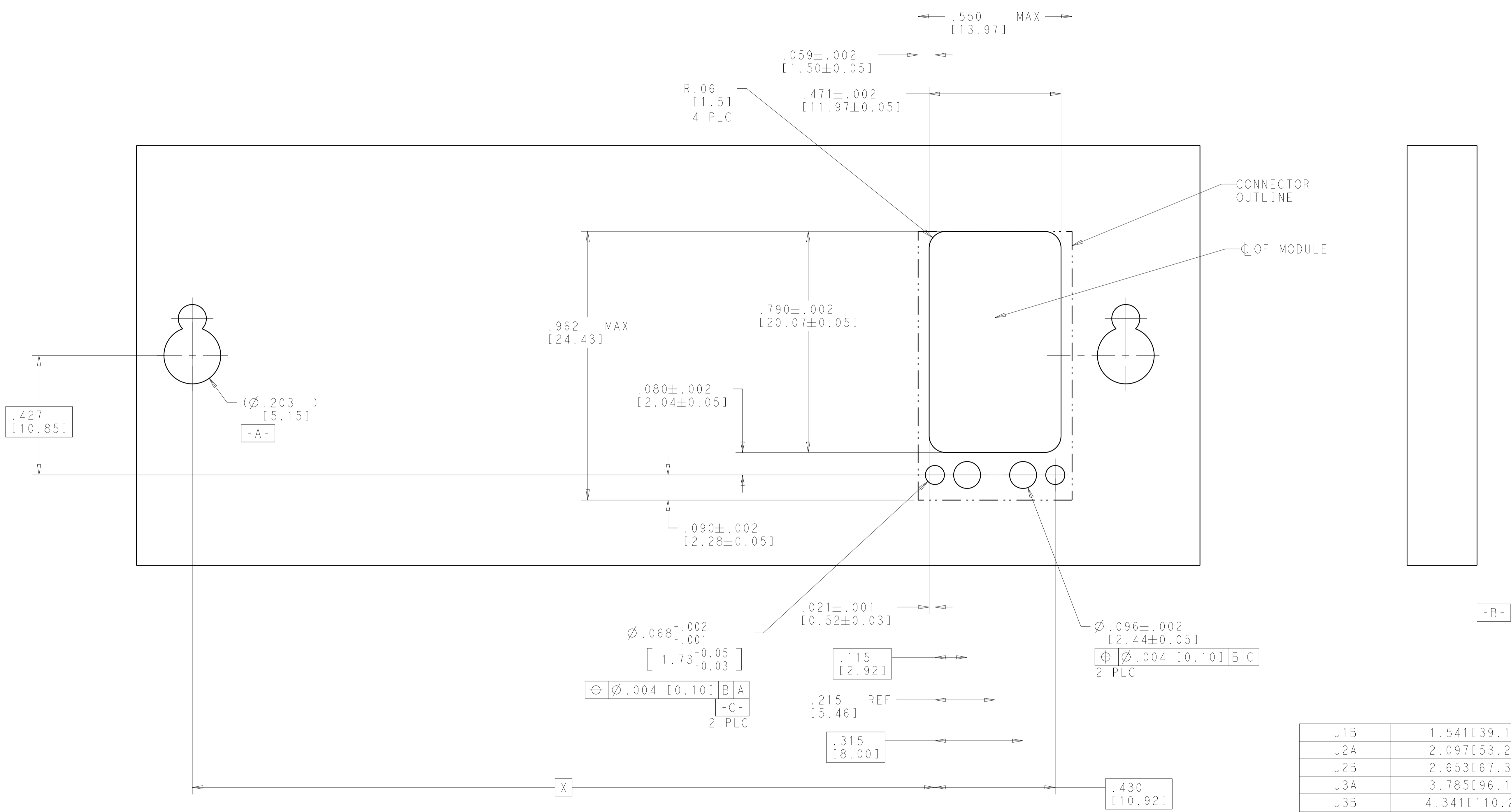
- 1 MATERIAL:
MODULE BODIES AND BACKPLATES - SEE TABLE
SCREWS - 300 SERIES STAINLESS STEEL
- 2 FINISH:
MODULE BODIES - SEE TABLE
SCREWS - PASSIVATED
- 3. SHIPPED IN KIT FORM. CONTACT BACKPLATE SCREWS TO BE ASSEMBLED TO CONTACT BACKPLATE. MODULE BODIES TO BE ASSEMBLED TOGETHER WITH MODULE BACKPLATE AND MODULE BACKPLATE SCREW.
- 4 CIRCUIT IDENTIFICATION MARKING
- 5. DESIGNED TO BE USED WITH CONTACTS 2302345-1



CLEAR CHROMATE CONVERSION COATING	ALUMINUM ALLOY 7075	2332627-2
PASSIVATED	STAINLESS STEEL PER UNS S30300	2332627-1
MODULE FINISH 2	MODULE MATERIAL 1	PART NUMBER

THIS DRAWING IS A CONTROLLED DOCUMENT.		OWN K. MILLER 16MAY2018	TE Connectivity	
DIMENSIONS: INCHES/mm		CHK K. DOWHOWER 16MAY2018		
TOLERANCES UNLESS OTHERWISE SPECIFIED:		APVD K. DOWHOWER 16MAY2018	NAME 8 POSITION NanoRF MODULE P.C.B. MOUNT - BACKPLANE VITA 67.3 FOOTPRINT COMPATIBLE	
0 PLC ±		PRODUCT SPEC	SIZE	
1 PLC ±		108-163006	CAGE CODE	
2 PLC ±		APPLICATION SPEC	DRAWING NO	
3 PLC ±.005(0.13)		408-163016	RESTRICTED TO	
4 PLC ±		WEIGHT	A100779C=2332627	
ANGLES ±		CUSTOMER DRAWING	SCALE 5:1 SHEET 1 OF 2 REV B	

REVISIONS				
P.	LTN.	DESCRIPTION	DATE	APVD.
-	-	SEE SHEET 1	-	-



REF PCB LAYOUT - SEE VITA 67.3 FIGURE 6.1.5.2-1

J1B	1.541[39.15]
J2A	2.097[53.27]
J2B	2.653[67.39]
J3A	3.785[96.14]
J3B	4.341[110.26]
J4A	4.919[124.94]
J4B	5.475[139.06]
J5A	6.053[153.74]
J5B	6.609[167.86]
J6A	7.187[182.54]
J6B	7.743[196.66]
POSITION	DIM "X"

THIS DRAWING IS A CONTROLLED DOCUMENT.		DWN: J. MILLER 16MAY2018 CHK: K. DOWHOWER 16MAY2018 APVD: K. DOWHOWER 16MAY2018	TE Connectivity
DIMENSIONS: INCHES/mm	TOLERANCES UNLESS OTHERWISE SPECIFIED: 0 PLC ± 1 PLC ± 2 PLC ± 3 PLC ±.005[0.13] 4 PLC ± ANGLES ±	NAME: 8 POSITION NanoRF MODULE P.C.B. MOUNT - BACKPLANE VITA 67.3 FOOTPRINT COMPATIBLE PRODUCT SPEC: 108-163006 APPLICATION SPEC: 408-163016 SIZE: 408-163016 WEIGHT: - CUSTOMER DRAWING	

X-ON Electronics

Largest Supplier of Electrical and Electronic Components

Click to view similar products for [RF Connector Accessories](#) category:

Click to view products by [TE Connectivity](#) manufacturer:

Other Similar products are found below :

[89674-0712](#) [F702RX24](#) [FERRULE-174](#) [R141802000](#) [R141805000](#) [R141842000](#) [R161862000](#) [R161862000W](#) [R280752000](#) [R280907000](#)
[R694261906](#) [RFI21-13](#) [RFI75-13-D2](#) [RFI75-4-D2](#) [AX102906](#) [AX102907](#) [18097-0013](#) [HP-375](#) [HP-500](#) [2098-0294-00](#) [2098-3251-94](#) [KA-](#)
[81-05](#) [89674-0805](#) [F1](#) [FERRULE-223](#) [202102-11](#) [213337-1](#) [220222-2](#) [24092671A](#) [24092678A](#) [R280468000](#) [R280510000](#) [R282862060](#)
[RFI155-1](#) [RFI25-12-D3](#) [RFI25-5](#) [RFI25-5-D3](#) [RFI75-12-D2](#) [RFI75-2-D2](#) [RFI75-4-D3](#) [RFI77-6](#) [360HS001M2508M6](#) [4-1532137-4](#) [5-21085-](#)
[0](#) [105274-1000](#) [111062-0490](#) [112122-SOD-LUG](#) [112-NUT-KNURL](#) [IPP-2014](#) [R280490020](#)