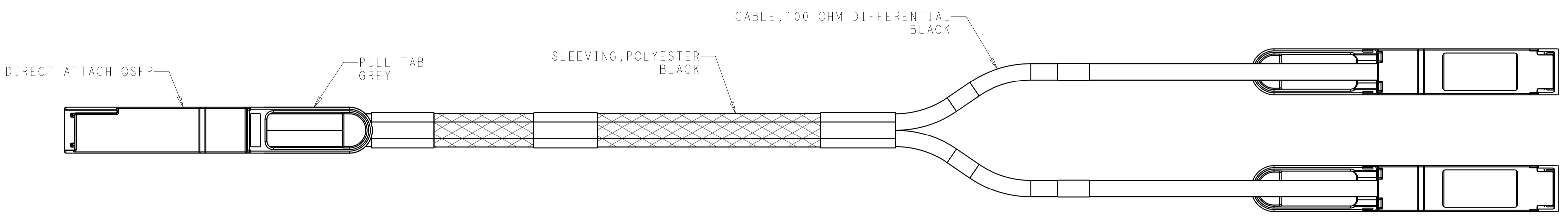
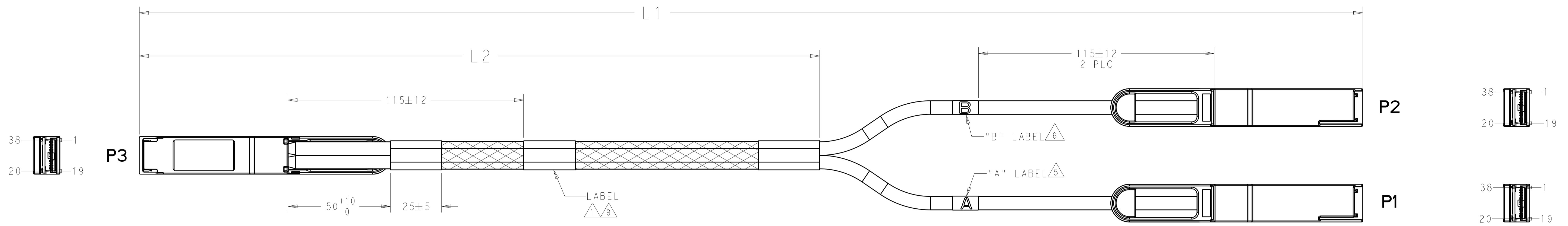
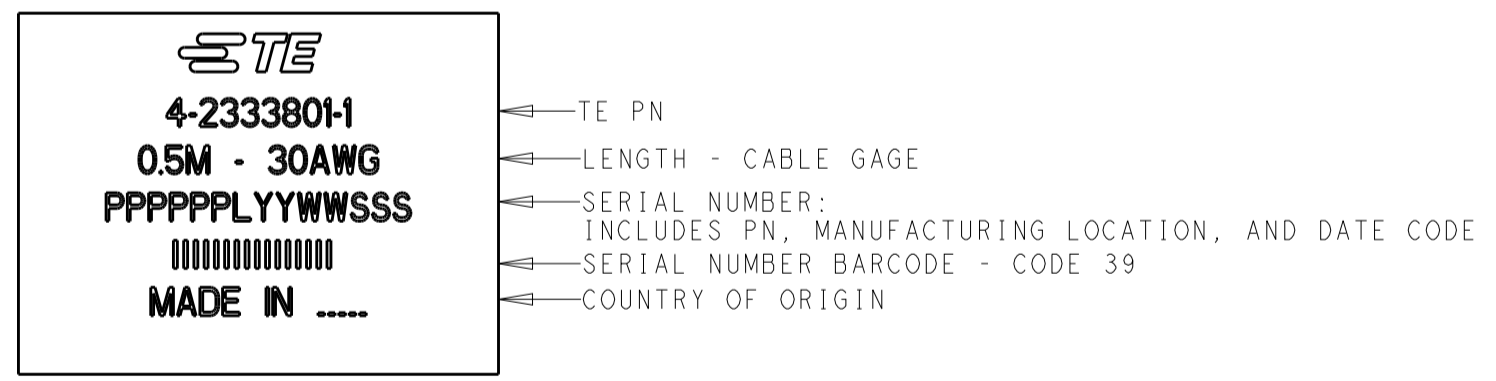
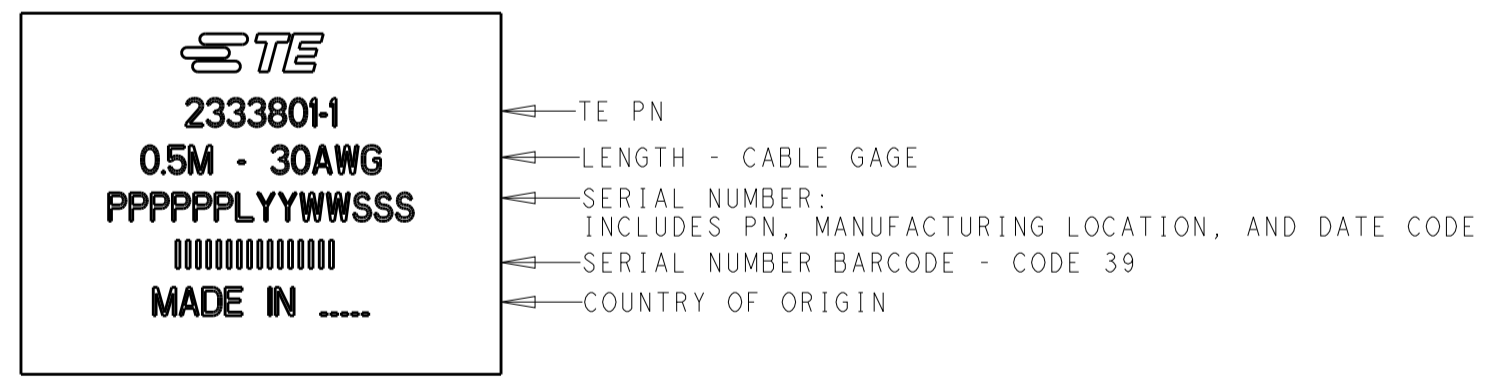


REVISIONS				
P	LTR	DESCRIPTION	DATE	APPROV
A		PER ECO-18-020143	31DEC2018	MY GF
B		REVISED PER ECO-20-004723	03APR2020	REH GF



△ LABEL INFORMATION FOR 25 GIG PNS (-1 THRU -6): -1 SHOWN.

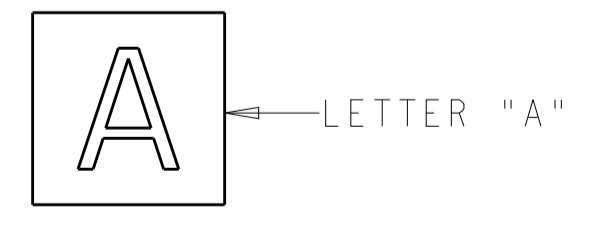
△ LABEL INFORMATION FOR 56 GIG PNS (-41 THRU -44): -41 SHOWN.



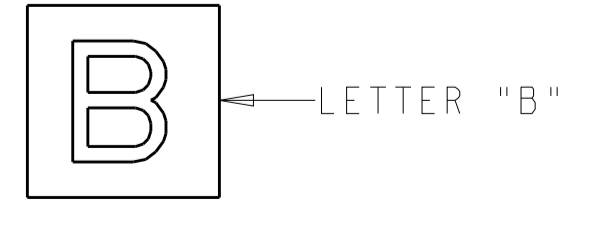
- 2. SEE SHEET 2 FOR WIRING SCHEMATIC.
- 3. PRODUCT AND PROCESSING MUST MEET THE REQUIREMENTS OF TE SPECIFICATION TEC-138-702.
- 4. CABLE ASSEMBLY TO BE TESTED FOR OPENS, SHORTS AND PROPER EEPROM PROGRAMMING.

△ NO SLEEVING REQUIRED FOR 0.5M LENGTH(2333801-1 AND 4-2333801-1).

△ LABEL INFORMATION:



△ LABEL INFORMATION:



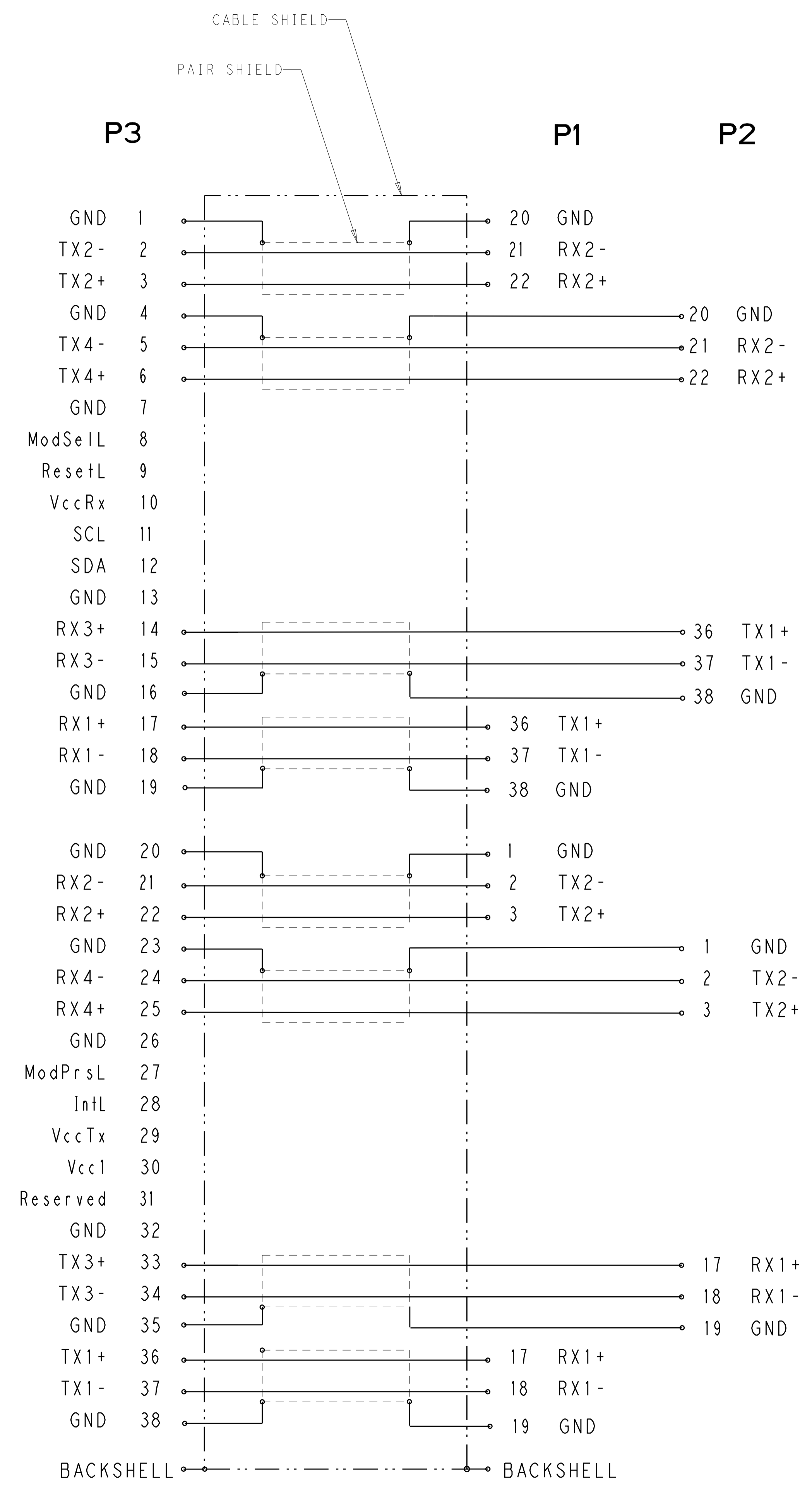
- △ TEST IN ACCORDANCE WITH IEEE802.3bj.
- △ DASH NUMBER 41 THRU 44 CONFORM TO 56G, PAM-4 IEEE802.3CD PERFORMANCE REQUIREMENTS.

STANDARD	GAGE	"L2" mm	"L1" mm	PART NO
△8	30	1000±25	2000 +80/-0	4-2333801-4
	30	500±25	1500 +50/-0	4-2333801-3
	30	500±25	1000 +50/-0	4-2333801-2
	30	250±25	500 +50/-0	4-2333801-1
△7	30	1000±25	3000 +80/-0	2333801-6
	30	1000±25	2500 +80/-0	2333801-5
	30	1000±25	2000 +80/-0	2333801-4
	30	500±25	1500 +50/-0	2333801-3
	30	500±25	1000 +50/-0	2333801-2
	30	250±25	500 +50/-0	2333801-1

THIS DRAWING IS A CONTROLLED DOCUMENT.

DIMENSIONS:	TOLERANCES UNLESS OTHERWISE SPECIFIED:	OWN: YI 05MAY2018	CHK: G. FRANKLIN 05MAY2018	APPROV: G. FRANKLIN 05MAY2018
mm	0 PLC ±	NAME: CABLE ASSEMBLY, QSFP TO (2) QSFP 25GIG, 30AWG		
	1 PLC ±	SIZE: CAGE CODE: DRAWING NO: A100779C=2333801		
	2 PLC ±	RESTRICTED TO		
	3 PLC ±	CUSTOMER DRAWING		
	4 PLC ±	SCALE: 5:1 SHEET 1 OF 2 REV B		
	ANGLES ±			
MATERIAL:	FINISH:			

REVISIONS				
P	LTN	DESCRIPTION	DATE	APVD
-	-	SEE SHEET 1	-	-



WIRING PATTERN

THIS DRAWING IS A CONTROLLED DOCUMENT.		DWN M. YI	05MAY2018	 TE Connectivity
DIMENSIONS:		CHK G. FRANKLIN	05MAY2018	
mm	TOLERANCES UNLESS OTHERWISE SPECIFIED:	APVD G. FRANKLIN	05MAY2018	NAME CABLE ASSEMBLY, QSFP TO (2) QSFP 25GIG, 30AWG
 0 PLC ± 1 PLC ± 2 PLC ± 3 PLC ± 4 PLC ± ANGLES ±		PRODUCT SPEC		APPLICATION SPEC
MATERIAL	FINISH	WEIGHT	SIZE A1100779	CAGE CODE C=2333801
		CUSTOMER DRAWING	SCALE 5:1	SHEET 2 OF 2
				REV B

X-ON Electronics

Largest Supplier of Electrical and Electronic Components

Click to view similar products for [Ethernet Cables / Networking Cables](#) category:

Click to view products by [TE Connectivity](#) manufacturer:

Other Similar products are found below :

[73-6670-7](#) [73-6680-15](#) [73-7797-25](#) [84909-0204](#) [1200700174](#) [1200860368](#) [E16A06002M030](#) [E200102-009-S1](#) [AX105346-EW](#) [MT14-187L](#)
[17-103530](#) [ERWPAB3002M005](#) [190-038045-01](#) [NK5EPC18RDY](#) [NK5EPC18VLY](#) [NK5EPC18YLY](#) [NK5EPC1GRY](#) [NK5EPC4Y](#)
[NK5EPC6YLY](#) [NK5EPC8BLY](#) [NK5EPC9YLY](#) [1969343-6](#) [C501100010](#) [C501106002](#) [C501106007](#) [C501106015](#) [C501106025](#) [C601102010](#)
[C601104010](#) [C601106007](#) [C601106015](#) [2142758-2](#) [2168427-2](#) [CAT1106007](#) [21949-1](#) [2J1866A](#) [RJF SFTP 5E 0500](#) [AX100351](#)
[MN14CEC/ST](#) [C501100015](#) [C501106004](#) [C501106010](#) [C5F1108007](#) [C601104004](#) [C601106004](#) [CA21106004](#) [CA21106010](#) [CA21106015](#)
[CA21109007](#) [CA21109010](#)