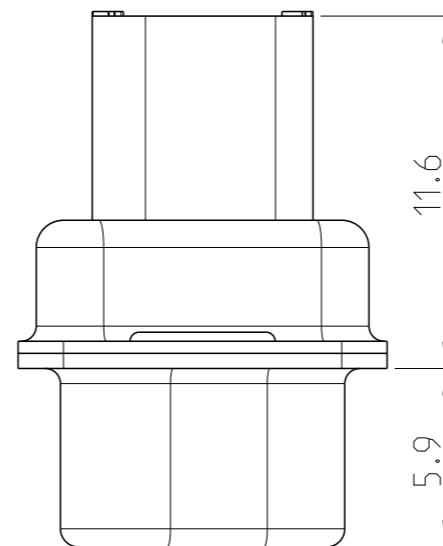
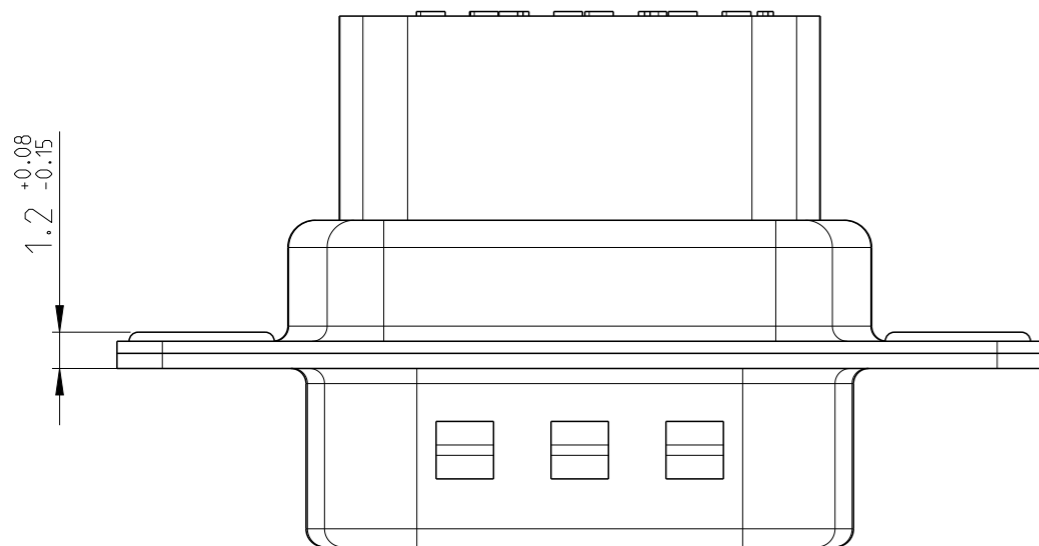


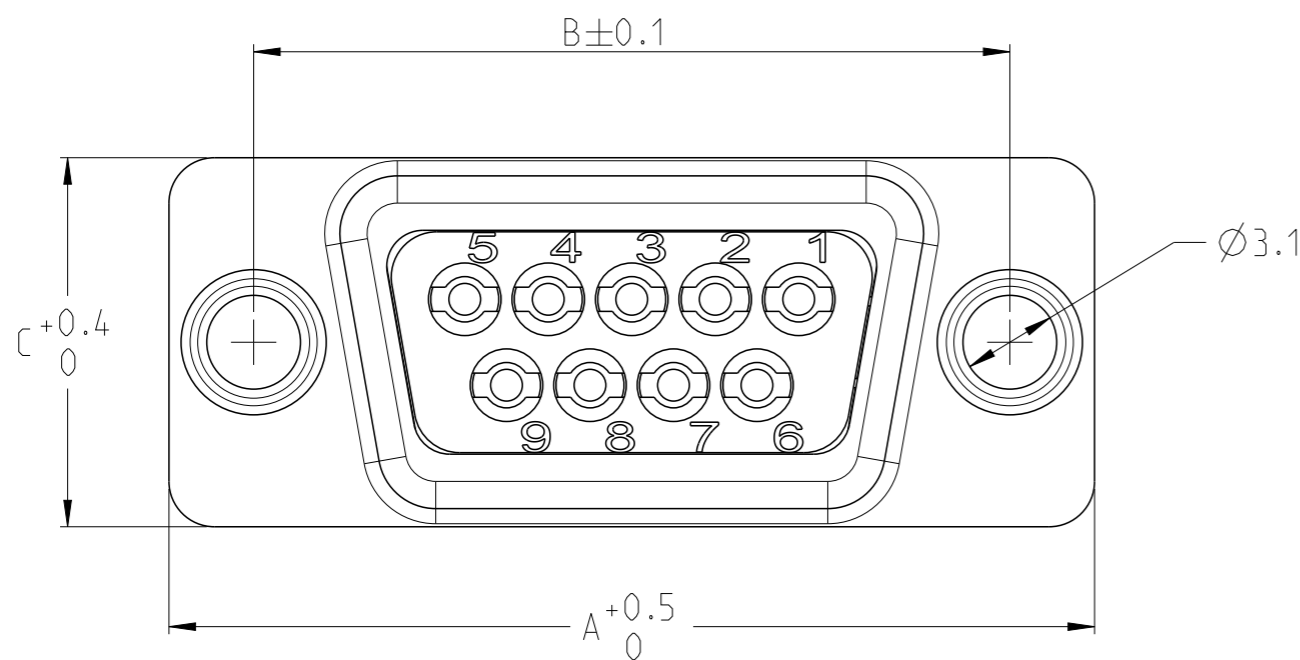
REFER PAGE 2 FOR CRIMP CONTACT DETAILS

REVISIONS

P	LTR	DESCRIPTION	DATE	DWN	APVD
	A	INITIAL RELEASE	12APR2018	GK	ES
	A1	EN45545 COMPLIANT VERSIONS ADDED	29SEP2020	GK	SE

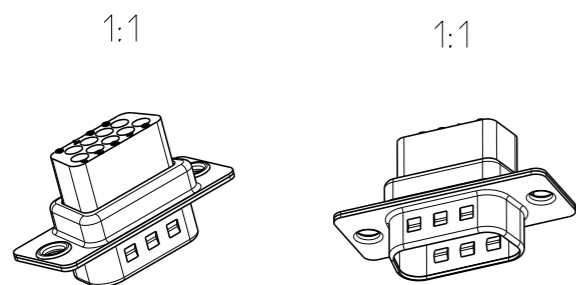


- 1 MATERIAL
MOLDED PARTS:
THERMOPLASTIC (PA66 GF-15), 94V-0 RATED,
FLAME RETARDANT, BLACK.
SHELL: STEEL
CONTACTS: COPPER ALLOY.
- 2 SHELL: TIN PLATED.
CONTACTS: GOLD PLATED OVER NICKEL.



SHOWN 2334100-1

EN45545 COMPLIANT VERSIONS	12.3	15.2	61.1	66.6	50	1-2334100-5
	11.2	12.2	63.5	69.2	37	1-2334100-4
	8.4	12.2	47.0	52.8	25	1-2334100-3
	6.0	12.2	33.3	39.0	15	1-2334100-2
	4.6	12.2	25.0	30.6	9	1-2334100-1
-	12.3	15.2	61.1	66.6	50	2334100-5
-	11.2	12.2	63.5	69.2	37	2334100-4
-	8.4	12.2	47.0	52.8	25	2334100-3
-	6.0	12.2	33.3	39.0	15	2334100-2
-	4.6	12.2	25.0	30.6	9	2334100-1
NOTES	WEIGHT (g)	C	B	A	NO OF POS	PART NO



THIS DRAWING IS A CONTROLLED DOCUMENT.

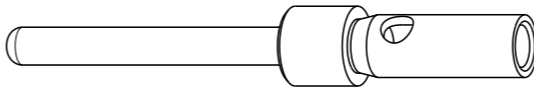
DIMENSIONS: mm	TOLERANCES UNLESS OTHERWISE SPECIFIED: 0 PLC ± 1 PLC ± 2 PLC ± 3 PLC ± 4 PLC ± ANGLES ± FINISH	DWN 09APR2018 GOPALAKRISHNA HV CHK 09APR2018 E STELLINGA APVD 09APR2018 E STELLINGA PRODUCT SPEC - APPLICATION SPEC - WEIGHT SEE TABLE A3	TE Connectivity NAME D-SUB CRIMP MALE 9-50 POS SIZE A3 CAGE CODE 00779 DRAWING NO C-2334100 RESTRICTED TO
MATERIAL	1	FINISH	2

CUSTOMER DRAWING SCALE 4:1 SHEET 1 OF 2 REV A1

REVISIONS

P	LTR	DESCRIPTION	DATE	DWN	APVD
	-	SEE SHEET 1	-	-	-

CRIMP CONTACT DETAILS

WIRE SIZE	PIN(MALE)	PICTORIAL VIEW
AWG 20	2334110-2	
AWG 22	2334110-3	
AWG 24-28	2334110-4	


CONTACT CRIMP TOOL

PICTORIAL VIEW

601966-1 (COMPACT)
601967-1 (STANDARD)

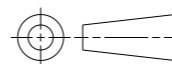


CONTACT POSITIONER DETAILS (CONTACT TYPE: SOCKET)

CRIMP TOOL	PART NUMBER	PICTORIAL VIEW
COMPACT	601966-2	
STANDARD	1-2823582-4	

THIS DRAWING IS A CONTROLLED DOCUMENT.

DIMENSIONS:
mm

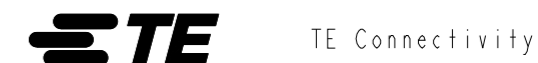


TOLERANCES UNLESS OTHERWISE SPECIFIED:

0 PLC	±
1 PLC	±
2 PLC	±
3 PLC	±
4 PLC	±
ANGLES	±
FINISH	

MATERIAL

DWN 09APR2018
GOPALAKRISHNA HV
CHK 09APR2018
E STELLINGA
APVD 09APR2018
E STELLINGA



NAME
D-SUB CRIMP MALE 9-50 POS

PRODUCT SPEC
-

APPLICATION SPEC
-

WEIGHT
SEE TABLE A 3

SIZE	CAGE CODE	DRAWING NO	RESTRICTED TO
------	-----------	------------	---------------

A 3	00779	©=2334100	
-----	-------	-----------	--

CUSTOMER DRAWING

SCALE 4:1 SHEET 2 OF 2 REV A1

X-ON Electronics

Largest Supplier of Electrical and Electronic Components

Click to view similar products for [D-Sub Standard Connectors](#) category:

Click to view products by [TE Connectivity](#) manufacturer:

Other Similar products are found below :

[56F706-005-LI](#) [56F711-015](#) [LV242999-142T12](#) [015-0341-000](#) [015-0349-000](#) [015-0350-000](#) [015-8544-011](#) [015-8755-001](#) [017041-0005](#)
[020419-0104](#) [012-0467-000](#) [012-9507-114](#) [020745-0008](#) [609-25P](#) [609-9P](#) [M24308/2-23Z](#) [M24308/2-36Z](#) [CT0-24-10SC](#) [CT0E20-8PS](#)
[CT0E22-14SC](#) [CT0F16S-1SC](#) [CT0FA22-1SS](#) [CT0P14S-5SXS](#) [CT0P22-14PS](#) [CT0TA16-11SXCA232](#) [CT0U22-14PSA206F127](#) [CT1E20-](#)
[19SS](#) [CT1E20-22SCAU-G9](#) [CT1F22-14PC-G9](#) [CT1FC22-2PC](#) [CT1FC24-28SSAU](#) [CT1N22-22SS](#) [CT2-10SL-3SC](#) [CT2-14S-2PCA34](#) [CT2-](#)
[18-10PS-FMLB-D](#) [CT2-18-11PCAU](#) [CT2-18-1PSAUA34](#) [CT2-22-19SC](#) [CT2-22-19SS-A206](#) [CT2-24-2PS](#) [CT2-28-12SC](#) [CT2-28-](#)
[12SCA232](#) [CT2-28-12SSA232](#) [CT6-10SL-3SC](#) [CT6-10SL-4SC](#) [CT6-16-12SC](#) [CT6-18-10PSA206](#) [CT6-18-10PSA232](#) [CT6-18-](#)
[10SSF127A206](#) [CT6-28-22SS](#)