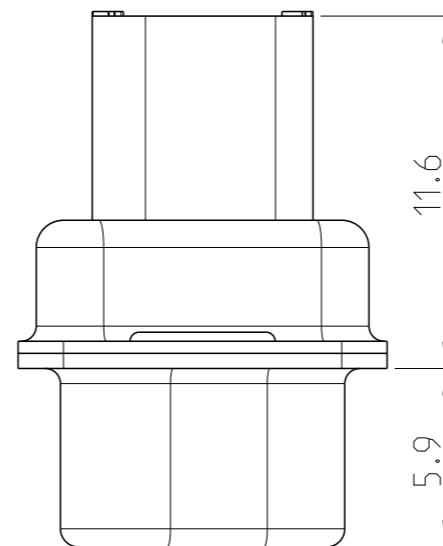
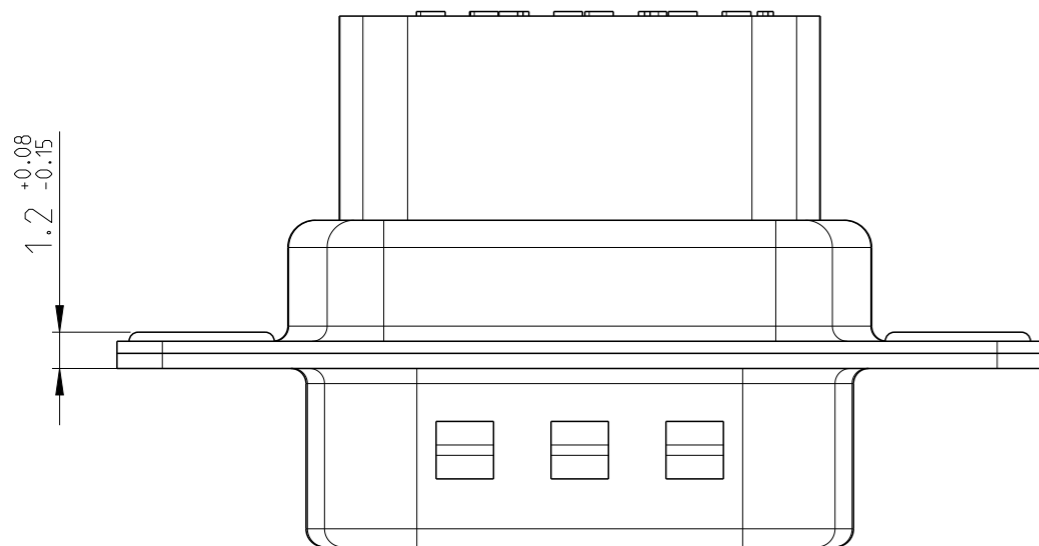


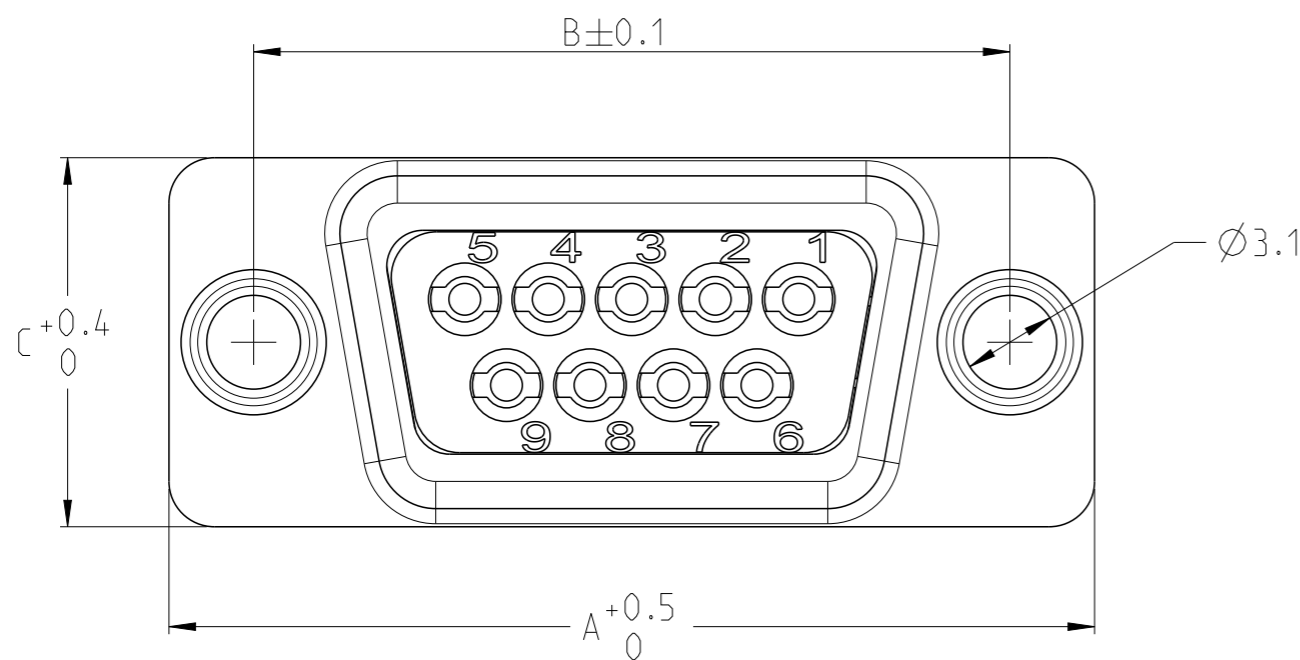
REFER PAGE 2 FOR CRIMP CONTACT DETAILS

REVISIONS

P	LTR	DESCRIPTION	DATE	DWN	APVD
	A	INITIAL RELEASE	12APR2018	GK	ES
	A1	EN45545 COMPLIANT VERSIONS ADDED	29SEP2020	GK	SE

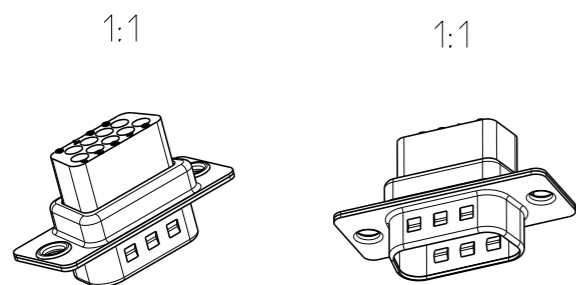


- 1 MATERIAL
MOLDED PARTS:
THERMOPLASTIC (PA66 GF-15), 94V-0 RATED,
FLAME RETARDANT, BLACK.
SHELL: STEEL
CONTACTS: COPPER ALLOY.
- 2 SHELL: TIN PLATED.
CONTACTS: GOLD PLATED OVER NICKEL.



SHOWN 2334100-1

EN45545 COMPLIANT VERSIONS	12.3	15.2	61.1	66.6	50	1-2334100-5
	11.2	12.2	63.5	69.2	37	1-2334100-4
	8.4	12.2	47.0	52.8	25	1-2334100-3
	6.0	12.2	33.3	39.0	15	1-2334100-2
	4.6	12.2	25.0	30.6	9	1-2334100-1
-	12.3	15.2	61.1	66.6	50	2334100-5
-	11.2	12.2	63.5	69.2	37	2334100-4
-	8.4	12.2	47.0	52.8	25	2334100-3
-	6.0	12.2	33.3	39.0	15	2334100-2
-	4.6	12.2	25.0	30.6	9	2334100-1
NOTES	WEIGHT (g)	C	B	A	NO OF POS	PART NO



THIS DRAWING IS A CONTROLLED DOCUMENT.

DIMENSIONS:	TOLERANCES UNLESS OTHERWISE SPECIFIED:
mm	
	0 PLC ±
	1 PLC ±
	2 PLC ±
	3 PLC ±
	4 PLC ±
	ANGLES ±
	FINISH 2

MATERIAL 1

DWN 09APR2018
GOPALAKRISHNA HV
CHK 09APR2018
E STELLINGA
APVD 09APR2018
E STELLINGA
PRODUCT SPEC
-
APPLICATION SPEC
-
WEIGHT SEE TABLE A3
CUSTOMER DRAWING

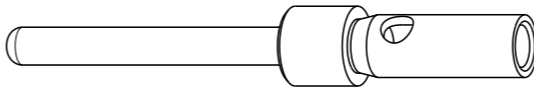


NAME D-SUB CRIMP MALE 9-50 POS
-
-
SIZE A3 CAGE CODE 00779 DRAWING NO C-2334100 RESTRICTED TO
SCALE 4:1 SHEET 1 OF 2 REV A1

REVISIONS

P	LTR	DESCRIPTION	DATE	DWN	APVD
	-	SEE SHEET 1	-	-	-

CRIMP CONTACT DETAILS

WIRE SIZE	PIN(MALE)	PICTORIAL VIEW
AWG 20	2334110-2	
AWG 22	2334110-3	
AWG 24-28	2334110-4	


CONTACT CRIMP TOOL

PICTORIAL VIEW

601966-1 (COMPACT)
601967-1 (STANDARD)

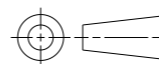


CONTACT POSITIONER DETAILS (CONTACT TYPE: SOCKET)

CRIMP TOOL	PART NUMBER	PICTORIAL VIEW
COMPACT	601966-2	
STANDARD	1-2823582-4	

THIS DRAWING IS A CONTROLLED DOCUMENT.

DIMENSIONS:
mm

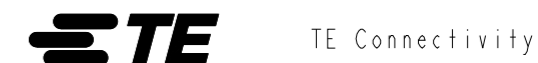


TOLERANCES UNLESS OTHERWISE SPECIFIED:

0 PLC	±
1 PLC	±
2 PLC	±
3 PLC	±
4 PLC	±
ANGLES	±
FINISH	

MATERIAL

DWN 09APR2018
GOPALAKRISHNA HV
CHK 09APR2018
E STELLINGA
APVD 09APR2018
E STELLINGA



NAME
D-SUB CRIMP MALE 9-50 POS

PRODUCT SPEC
-
APPLICATION SPEC
-

WEIGHT
SEE TABLE A 3

SIZE	CAGE CODE	DRAWING NO	RESTRICTED TO
------	-----------	------------	---------------

A 3	00779	©=2334100	
-----	-------	-----------	--

CUSTOMER DRAWING

SCALE 4:1	SHEET 2 OF 2	REV A1
-----------	--------------	--------

X-ON Electronics

Largest Supplier of Electrical and Electronic Components

Click to view similar products for [D-Sub Standard Connectors](#) category:

Click to view products by [TE Connectivity](#) manufacturer:

Other Similar products are found below :

[56F711-015](#) [012-9507-004](#) [LV242999-142T12](#) [015-0341-000](#) [015-0372-005](#) [015-0372-008](#) [015-8755-001](#) [020419-0104](#) [012-0467-000](#) [012-0515-000](#) [012-9507-034](#) [012-9507-114](#) [020745-0008](#) [609-25P](#) [M24308/2-23Z](#) [CT2-14S-2PCA34](#) [CT2-18-11PCAU](#) [CT6-10SL-3SC](#) [CT6-10SL-4SC](#) [CT6-14S-2SC](#) [CT6E14SA7SC](#) [M83513/01-FC](#) [M83723/76W24619 L/C](#) [M85049/48-3-2F](#) [6STD09PCM99B70X](#) [6STD09SCM99B30X](#) [6STD09SCT99S40X](#) [6STD15PCT99S40X](#) [6STD15SCM99B30X](#) [6STD15SCT99S40X](#) [6STF09PCM05B70X](#) [7-135760-9](#) [MC11E-10-6SN](#) [747552-3](#) [MD1-21PS](#) [MDM-15SCBRM7-F222](#) [MDM96517-699](#) [MDM96521-744](#) [MDVB1-21SL1](#) [MIK0-1-7SH003](#) [MIKQ6-7SH076](#) [MIKQ7-7PH077](#) [MIKQ7-7PH11](#) [MIKQ7-7PH32](#) [MJSV-28SL61](#) [MKJ4A1F14-55S](#) [8-135760-3](#) [8STD09PCM99B30X](#) [PG-KV/PV-16-GROM-SEALING](#) [GDA15P](#)