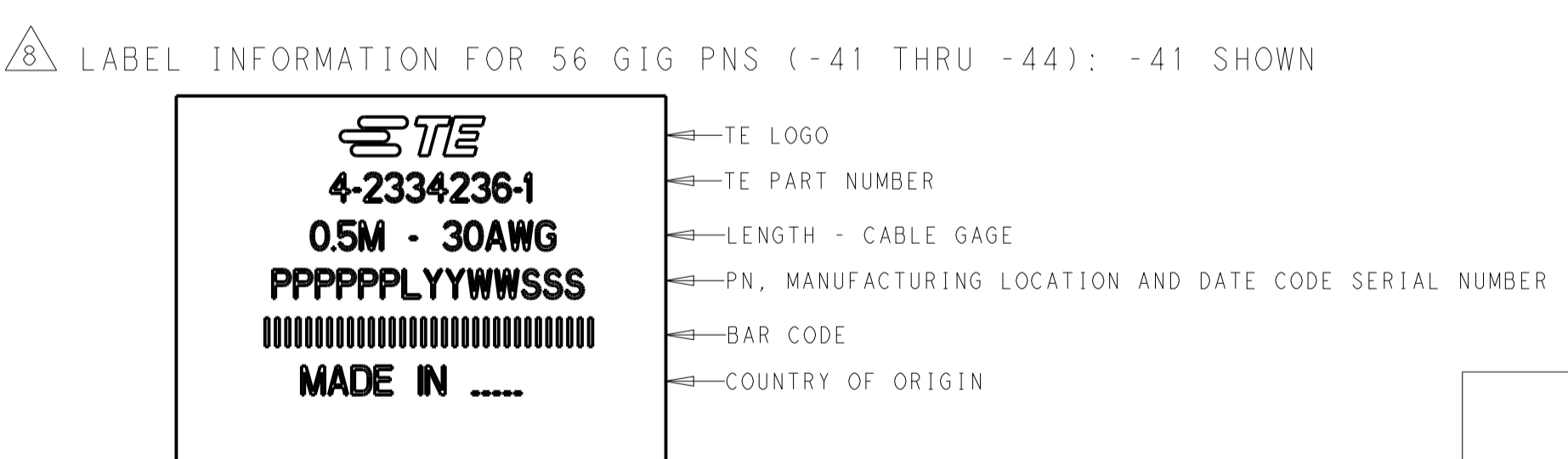
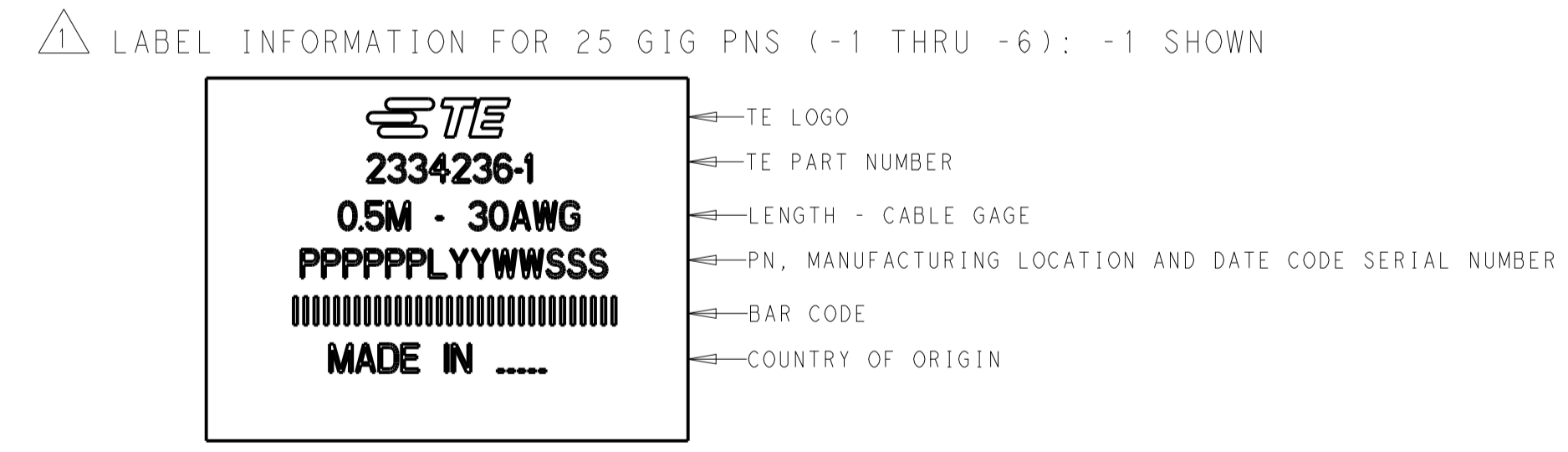
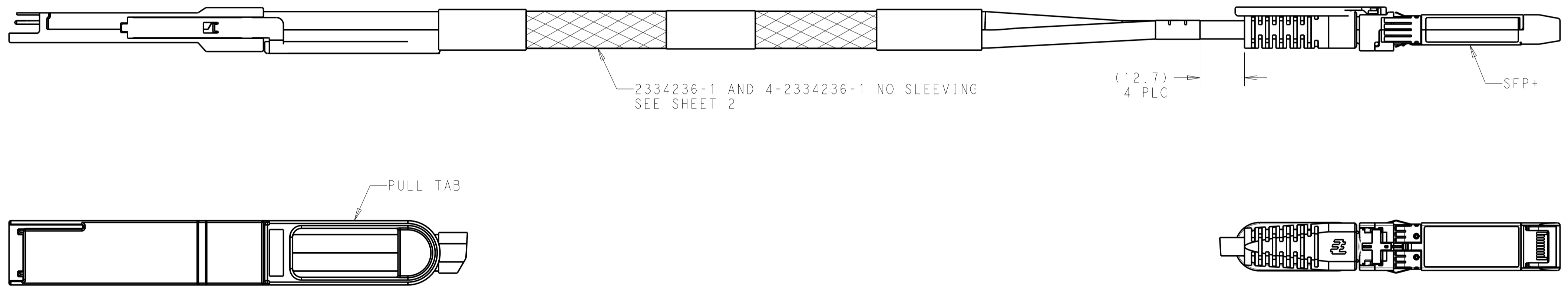
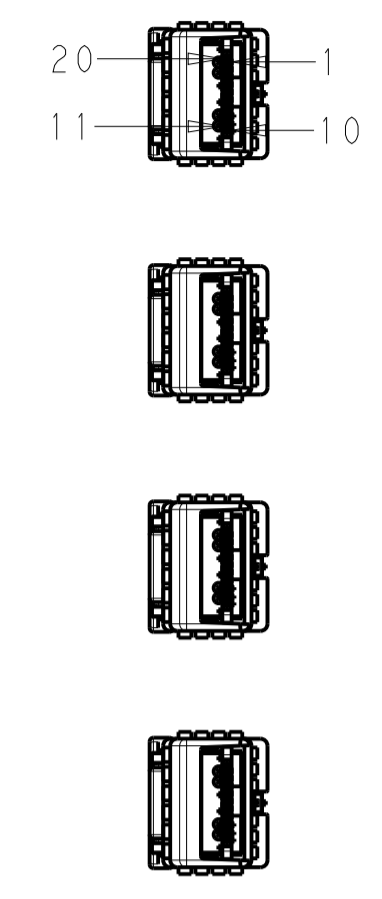
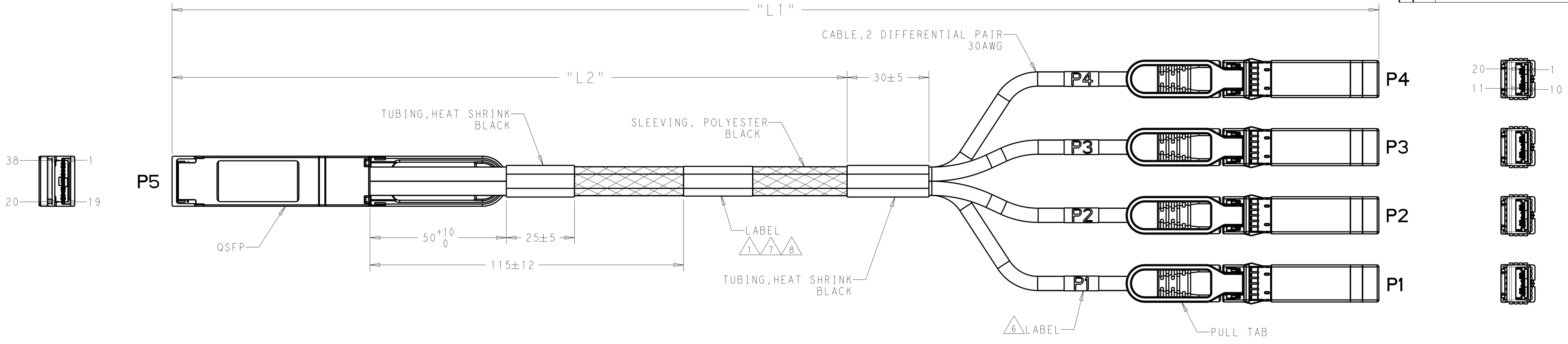


REVISIONS				
P	LTM	DESCRIPTION	DATE	APVD
A		PER ECO-18-020143	31DEC2018	MY GF
B		REVISED PER ECO-19-007907	24MAY2019	AP GF
C		REVISED PER ECO-21-005293	01MAY2021	KK AK



- 2. SEE SHEET 2 FOR WIRING SCHEMATIC.
- 3. PRODUCT AND PROCESSING MUST MEET THE REQUIREMENTS OF TE SPECIFICATION TEC-138-702.
- 4. CABLE ASSEMBLY TO BE TESTED FOR OPENS, SHORTS AND PROPER EEPROM PROGRAM.
- $\triangle 5$ TEST IN ACCORDANCE WITH IEEE802.3bj.
- $\triangle 6$ LABEL INFORMATION: P1 SHOWN



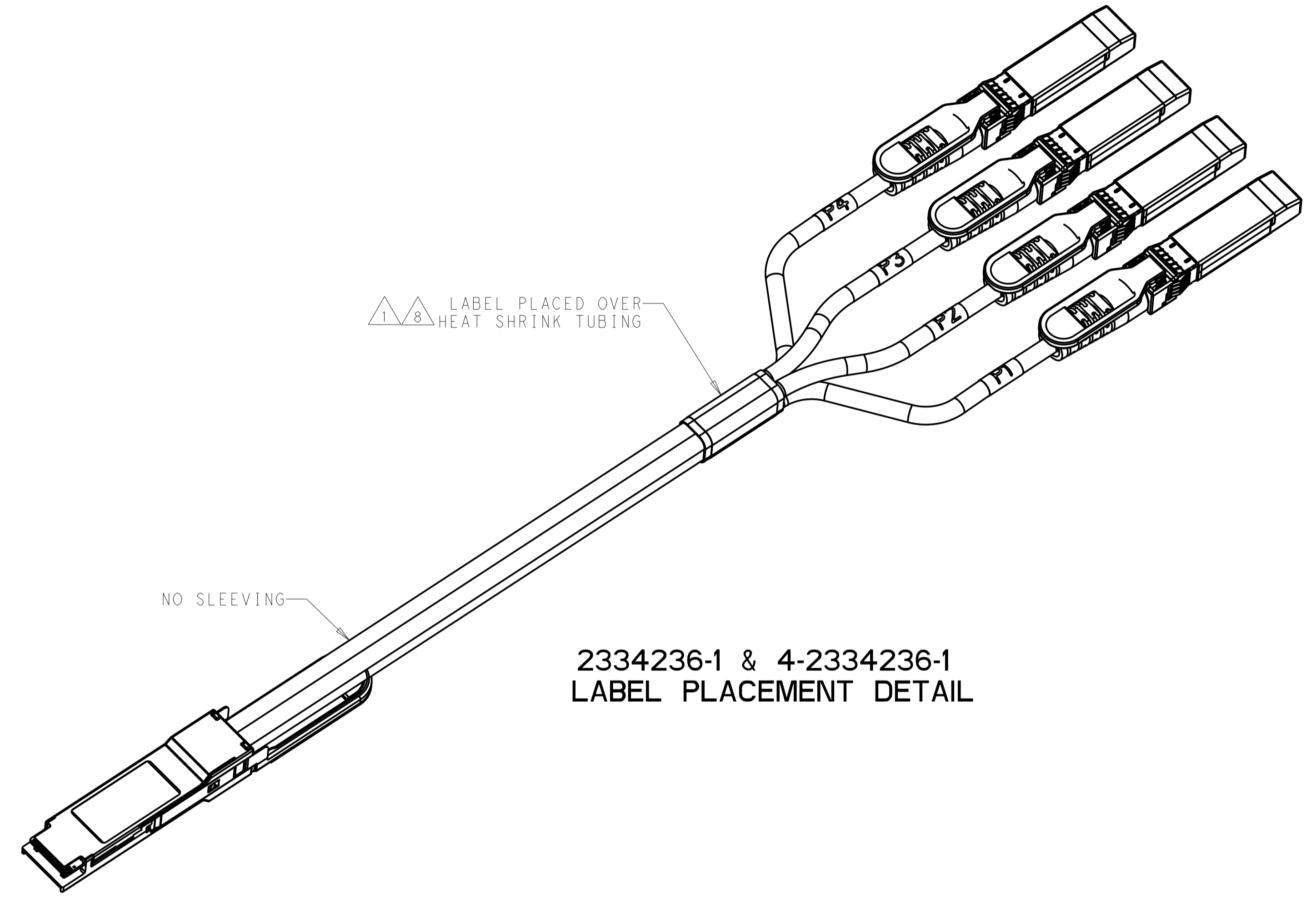
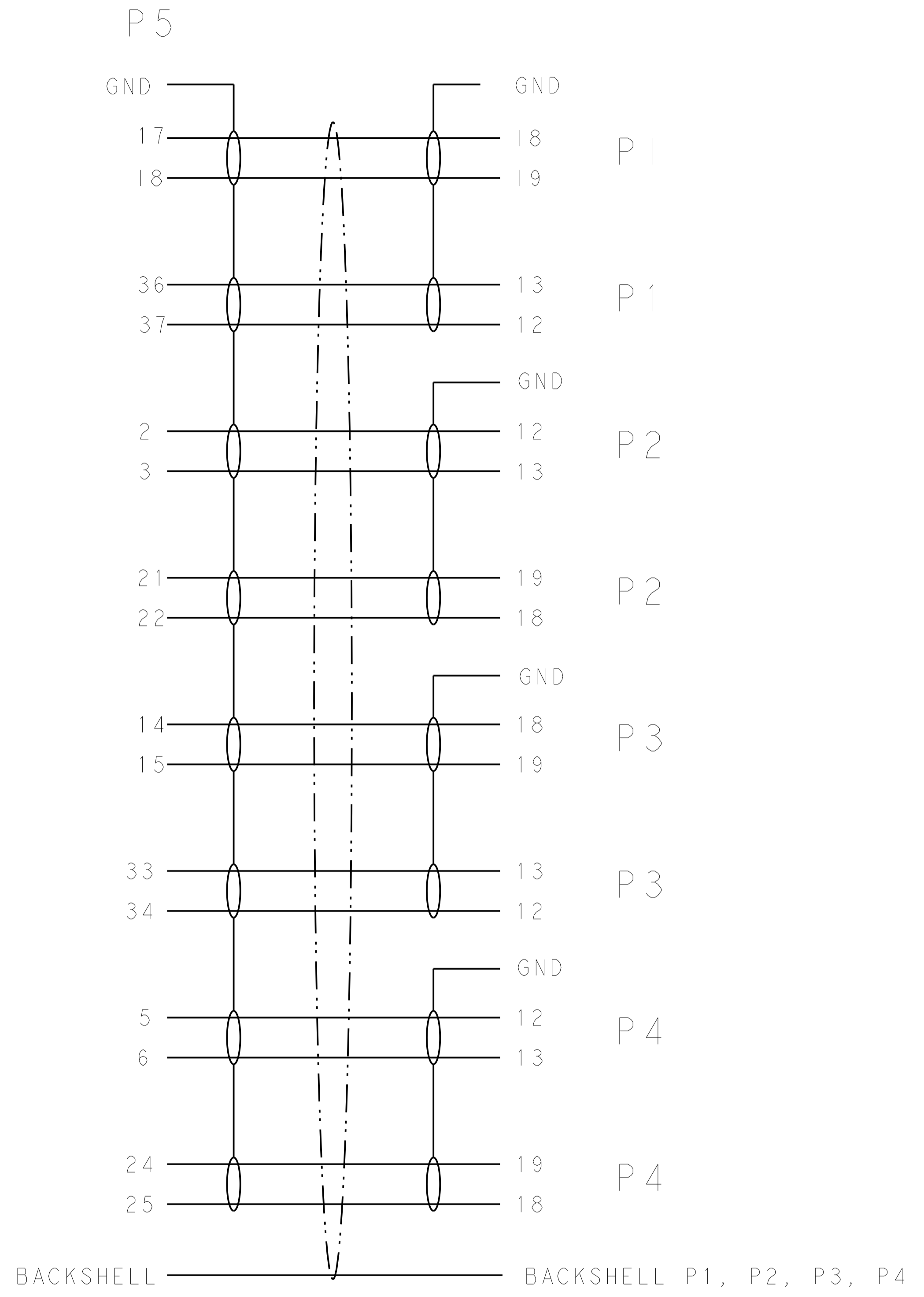
$\triangle 9$ DASH NUMBER 41 THRU 44 CONFORM TO 56G, PAM-4 IEEE802.3CD PERFORMANCE REQUIREMENTS.

\triangle SEE SHEET 2 FOR 2334236-1 AND 4-2334236-1 LABEL PLACEMENT.

STANDARD	GAGE	"L2"		"L1"		PART NO
$\triangle 9$	30	700 ±25	2000 +80/-0	4-2334236-4		
	30	500 ±25	1500 +50/-0	4-2334236-3		
	30	330 ±25	1000 +50/-0	4-2334236-2		
	30	120 ±12	500 +50/-0	4-2334236-1		
$\triangle 5$	30	1000 ±25	3000 +80/-0	2334236-6		
	30	1000 ±25	2500 +80/-0	2334236-5		
	30	700 ±25	2000 +80/-0	2334236-4		
	30	500 ±25	1500 +50/-0	2334236-3		
	30	330 ±25	1000 +50/-0	2334236-2		
	30	120 ±12	500 +50/-0	2334236-1		

THIS DRAWING IS A CONTROLLED DOCUMENT.		OWN: Y1 11APR2018	TE Connectivity	
DIMENSIONS: mm		CHK: G. FRANKLIN 11APR2018		
TOLERANCES UNLESS OTHERWISE SPECIFIED:		APVD: G. FRANKLIN 11APR2018	NAME: CABLE ASSEMBLY, QSFP28 TO (4) SFP+	
0 PLC ±		PRODUCT SPEC	SIZE: CAGE CODE DRAWING NO	
1 PLC ±		APPLICATION SPEC	RESTRICTED TO	
2 PLC ±		WEIGHT	A100779C=2334236	
3 PLC ±		RESTRICTED CUSTOMER	SCALE 5:4 SHEET 1 OF 2 REV C	
4 PLC ±				
ANGLES ±				
MATERIAL FINISH				

REVISIONS				
P.	LTN	DESCRIPTION	DATE	APVD
		SEE SHEET 1		



**2334236-1 & 4-2334236-1
LABEL PLACEMENT DETAIL**

THIS DRAWING IS A CONTROLLED DOCUMENT.		OWN: Y1 11APR2018	
DIMENSIONS: mm		CHK: G. FRANKLIN 11APR2018	
TOLERANCES UNLESS OTHERWISE SPECIFIED:		APVD: G. FRANKLIN 11APR2018	NAME: CABLE ASSEMBLY, QSFP28 TO (4) SFP+
0 PLC ±		PRODUCT SPEC	SIZE: CAGE CODE: DRAWING NO:
1 PLC ±		APPLICATION SPEC	RESTRICTED TO:
2 PLC ±		WEIGHT	A 100779 C=2334236
3 PLC ±		RESTRICTED CUSTOMER	SCALE: 3:2 SHEET 2 OF 2 REV C
4 PLC ±			
ANGLES ±			
MATERIAL	FINISH		

X-ON Electronics

Largest Supplier of Electrical and Electronic Components

Click to view similar products for [Ethernet Cables / Networking Cables](#) category:

Click to view products by [TE Connectivity](#) manufacturer:

Other Similar products are found below :

[73-6670-7](#) [73-6680-15](#) [73-7797-25](#) [MCJB2-10P6Q7-120](#) [84909-0204](#) [1200700174](#) [1200860368](#) [E16A06002M030](#) [E200102-009-S1](#)
[AX105346-EW](#) [MT14-187L](#) [17-103530](#) [ERWPAB3002M005](#) [190-038045-01](#) [NK5EPC18RDY](#) [NK5EPC18VLY](#) [NK5EPC18YLY](#)
[NK5EPC1GRY](#) [NK5EPC4Y](#) [NK5EPC6YLY](#) [NK5EPC8BLY](#) [NK5EPC9YLY](#) [1969343-6](#) [C501100010](#) [C501106002](#) [C501106007](#)
[C501106015](#) [C501106025](#) [C601102010](#) [C601104010](#) [C601106007](#) [C601106015](#) [2142758-2](#) [2168427-2](#) [CAT1106007](#) [21949-1](#) [2J1866A](#)
[RJF SFTP 5E 0500](#) [AX100351](#) [MN14CEC/ST](#) [C501100015](#) [C501106004](#) [C501106010](#) [C5F1108007](#) [C601104004](#) [C601106004](#)
[CA21106004](#) [CA21106010](#) [CA21106015](#) [CA21109007](#)