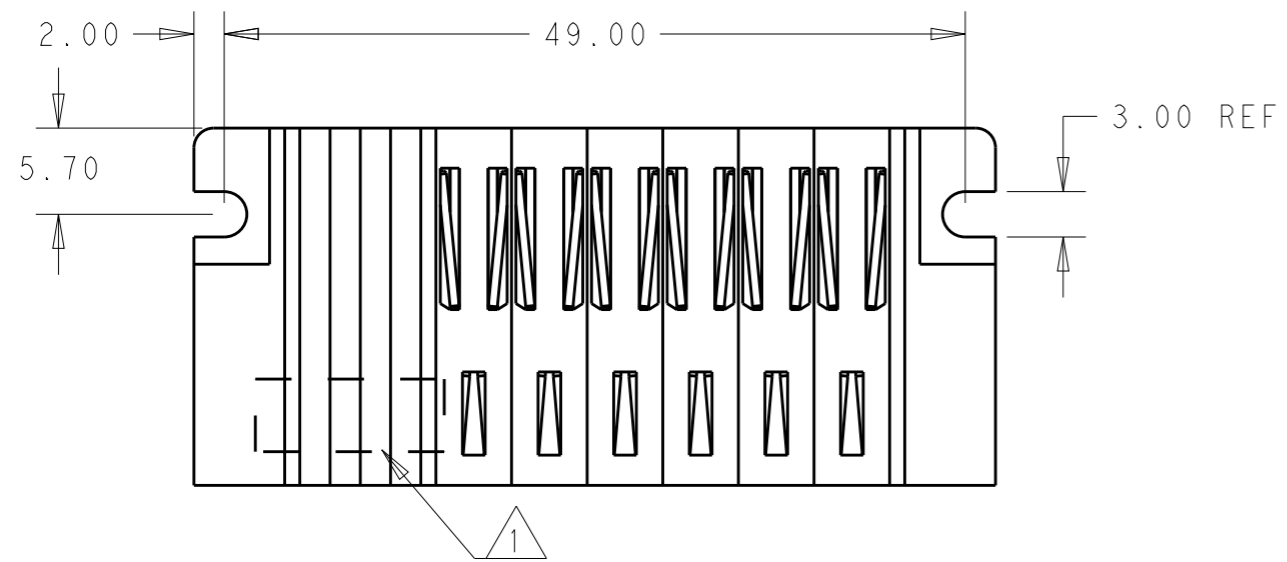
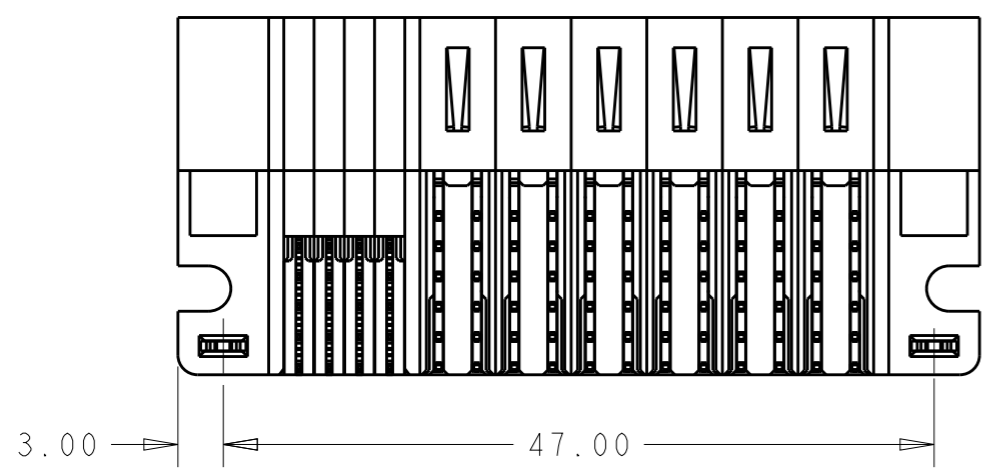
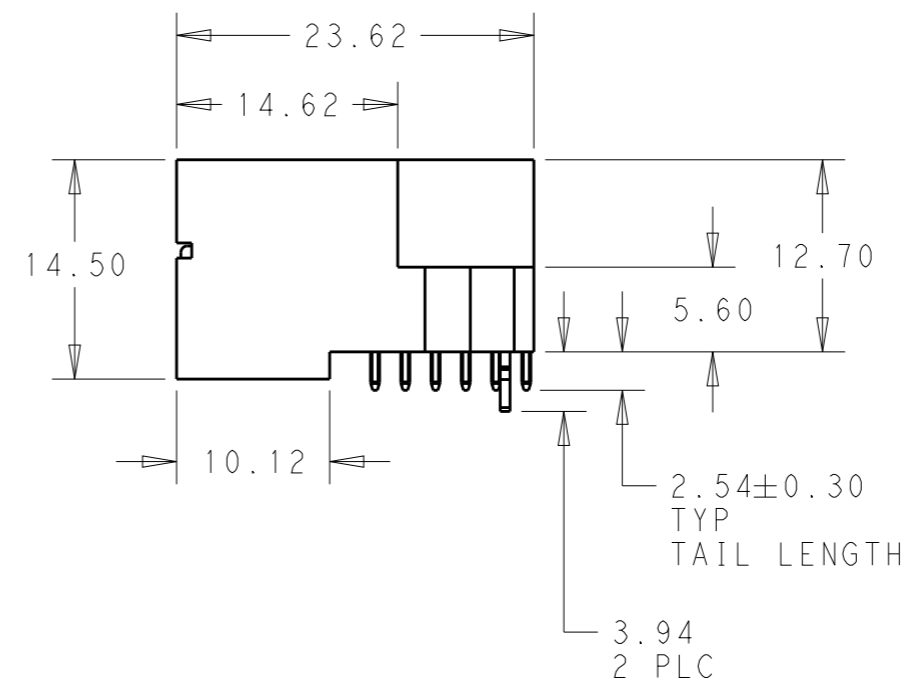
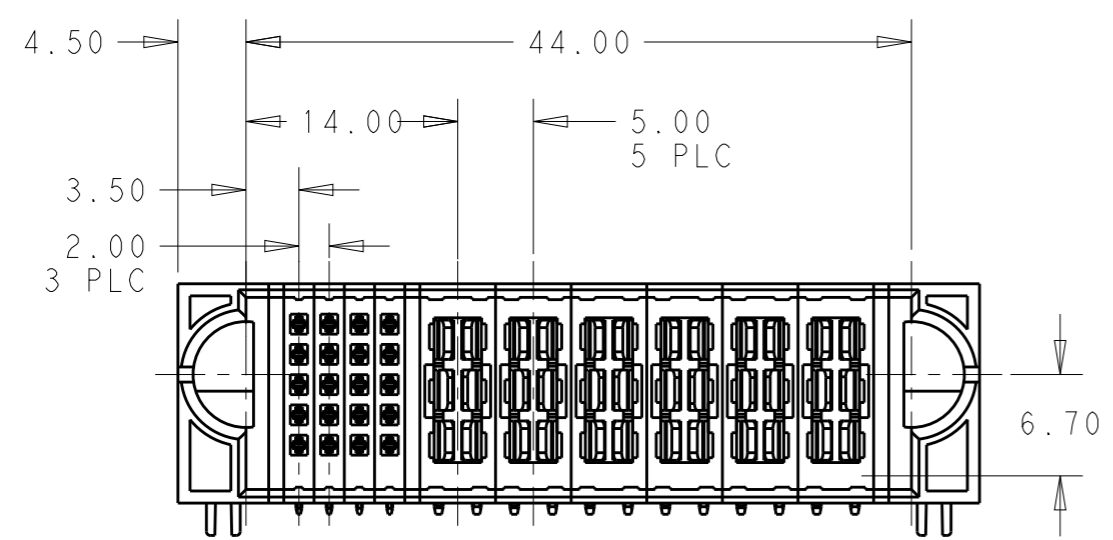


THIS DRAWING IS UNPUBLISHED. RELEASED FOR PUBLICATION 20
 © COPYRIGHT 20 BY - ALL RIGHTS RESERVED.


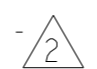

REVISIONS					
P	LTR	DESCRIPTION	DATE	DWN	APVD
1		PROPOSAL DESIGN	29OCT2018	WY	SZ
2		UPDATE SIGNAL PIN HOLE FROM 1.02 TO 0.72	15NOV2018	WY	SZ
A		REVISED	10DEC2019	WY	SZ



- 1 "TE", PART NUMBER, AND DATECODE TO BE MARKED IN AREA SHOWN. PARTS UNDER 2.00 LONG MAY BE MARKED ON BOTH SIDES.
- 2 MATERIAL:
 HOUSING - GLASS FILLED HIGH TEMP THERMO PLASTIC, BLACK, UL94 V-O
 SIGNAL CONTACT - COPPER ALLOY
 POWER CONTACT - HIGH CONDUCTIVITY COPPER ALLOY
- 3 CONTACT PLATING: NOBLE METAL PLATING ON CONTACT FUNCTIONAL AREA OF POWER AND SIGNAL CONTACTS.
- 4 MECHANICAL CONNECTOR KEEP OUT ZONE.
- 5 DATUM AND BASIC DIMENSIONS ESTABLISHED BY CUSTOMER.
- 6 PCB - HOLE DIAMETERS ARE FINISHED HOLE SIZE.
- 7 PCB - .0453±.0010 DRILLED HOLES PLATED WITH .0003 MIN Sn OVER .001 TO .003 Cu PLATING TO ACHIEVE A .040 ±.003 HOLE.



20S + 6P	2334531-2
DESCRIPTION	PART NUMBER

THIS DRAWING IS A CONTROLLED DOCUMENT.		DWN	29OCT2018	 TE Connectivity	NAME RIGHT ANGLE HEADER, SOLDER MULTI-BEAM PLUS
DIMENSIONS: mm		CHK	29OCT2018		
TOLERANCES UNLESS OTHERWISE SPECIFIED:		APVD	29OCT2018		
0 PLC ±- 1 PLC ±- 2 PLC ±0.15 3 PLC ±0.05 4 PLC ±- ANGLES ±-		PRODUCT SPEC	-		
MATERIAL		FINISH	-	APPLICATION SPEC	-
				WEIGHT	-
CUSTOMER DRAWING				SIZE	A3
				CAGE CODE	00779
				DRAWING NO	2334531-2
				RESTRICTED TO	-
				SCALE	1:1
				SHEET	1 OF 2
				REV	A

THIS DRAWING IS UNPUBLISHED.

RELEASED FOR PUBLICATION

20

© COPYRIGHT 20 BY -

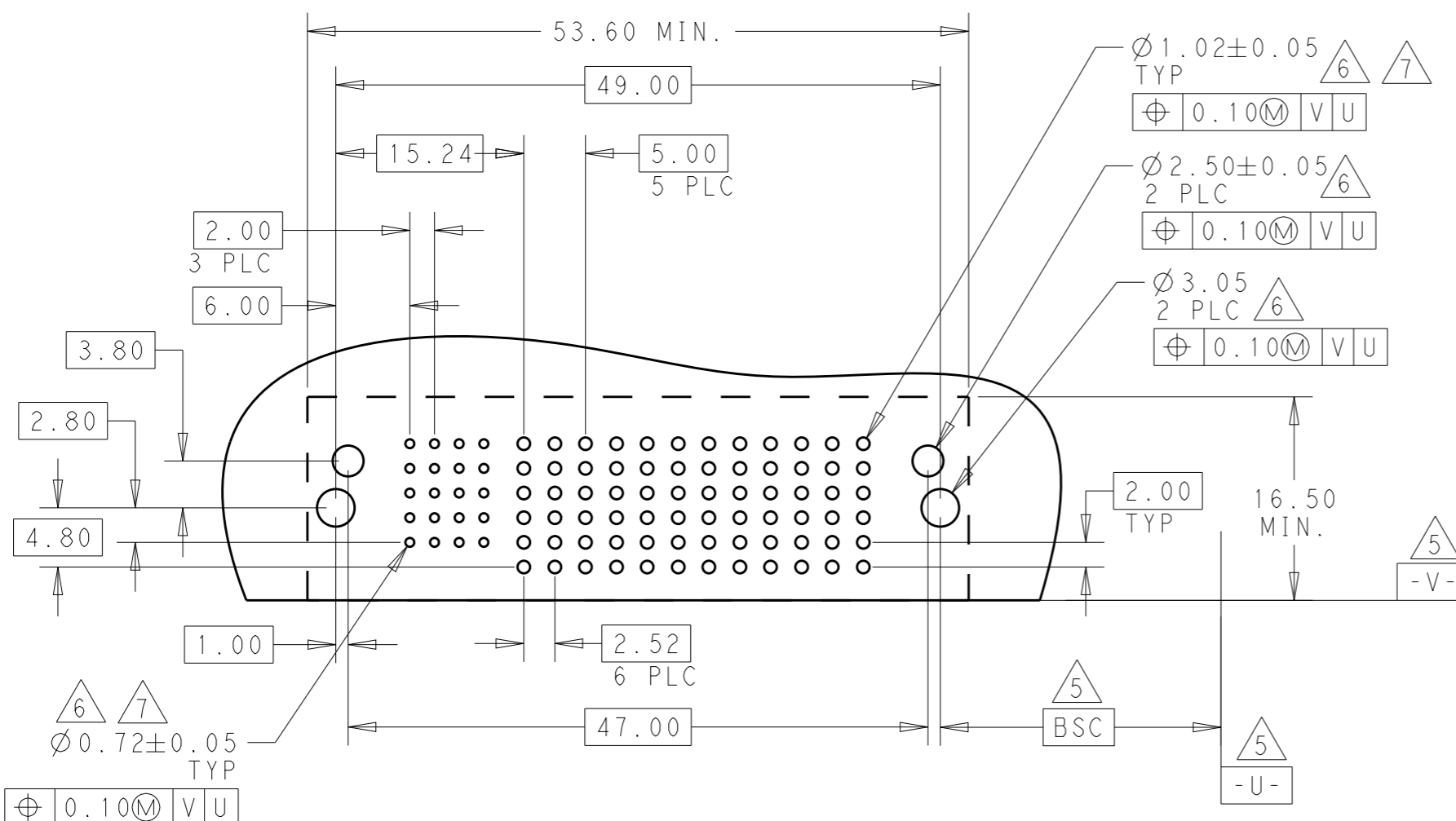
ALL RIGHTS RESERVED.

REVISIONS

P	LTR	DESCRIPTION	DATE	DWN	APVD
		SEE SHEET 1			

PART NUMBER	ROWS	SIGNLA				POWER								
		1	2	3	4	P1	P2	P3	P4	P5	P6			
2334531-2	E	P5	P5	P5	P5									
	D	P4	P4	P4	P4									
	C	P3	P3	P3	P3	TM	TN	TM	TN	TM	TN	TM	TN	
	B	P2	P2	P2	P2									
	A	P1	P1	P1	P1									

20S+6P



STD SOLDER TYPE SIGNAL CONTACT, ROW E	P5
STD SOLDER TYPE SIGNAL CONTACT, ROW D	P4
STD SOLDER TYPE SIGNAL CONTACT, ROW C	P3
STD SOLDER TYPE SIGNAL CONTACT, ROW B	P2
STD SOLDER TYPE SIGNAL CONTACT, ROW A	P1
STD SOLDER POWER CONTACT, RIGHT	TN
STD SOLDER POWER CONTACT, LEFT	TM
HOUSING	HOUSING
HOLD DOWN, MULTI-BEAM	HD
DESCRIPTION	IDENTIFIER

RECOMMENDED PCB LAYOUT

THIS DRAWING IS A CONTROLLED DOCUMENT.

DIMENSIONS:	TOLERANCES UNLESS OTHERWISE SPECIFIED:
mm	
	0 PLC ±-
	1 PLC ±-
	2 PLC ±0.15
	3 PLC ±0.05
	4 PLC ±-
	ANGLES ±-
MATERIAL	FINISH
- 2	- 3

DWN WY	29OCT2018
CHK WY	29OCT2018
APVD S7	29OCT2018
PRODUCT SPEC	-
APPLICATION SPEC	-
WEIGHT	-
CUSTOMER DRAWING	

STE TE Connectivity

NAME: RIGHT ANGLE HEADER, SOLDER MULTI-BEAM PLUS

SIZE	CAGE CODE	DRAWING NO	RESTRICTED TO
A3	00779	C-2334531-2	-

SCALE 1:1 SHEET 2 OF 2 REV A

X-ON Electronics

Largest Supplier of Electrical and Electronic Components

Click to view similar products for [Rectangular MIL Spec Connectors](#) category:

Click to view products by [TE Connectivity](#) manufacturer:

Other Similar products are found below :

[891-011-15SA2-BSST](#) [CTS-S16/16](#) [65002-062](#) [CY4602-000](#) [732-8020-01](#) [77058-22-55PN](#) [81542-20](#) [86.030.0053.0](#) [1241346-1](#) [RM252-020-311-2900](#) [DMC-M 08-16 SA](#) [1589051-4](#) [MSO34MPK1E1](#) [BACC65CAMA](#) [BACC65CP1PN](#) [BACI10BC0816PNBA](#) [HSB-D4S03DM222X](#) [2217548-1](#) [891-006-9PS-BST1T](#) [891-009-15SA2-BRT1T](#) [27963-20T12](#) [SIM2N40NC3](#) [SIM2S100A](#) [1604996-2](#) [SMD25PN90L-4055](#) [1900ND08S1B00A](#) [22628-10-6P-791](#) [33526M11-08PD](#) [RE04-212S](#) [M32139/03-G05SN](#) [CTD160E01F-6148](#) [CTJ112E03B](#) [CTJ122E02D-8000](#) [CTJ-3D-12](#) [CTJ920E06N-513](#) [CTJ920E12N-513](#) [CTL-16-090](#) [RM300-000-581-0000](#) [CY4600-000](#) [CY4601-000](#) [38111-14-15SN](#) [38112-14-15PN](#) [MMA23-0111R1](#) [MMD25-0071P1](#) [33516062020](#) [33526M11-08PE](#) [DMC-M99-01AN](#) [Y59113WE20PNV00300](#) [ZPF000000000106310](#) [105979-31](#)