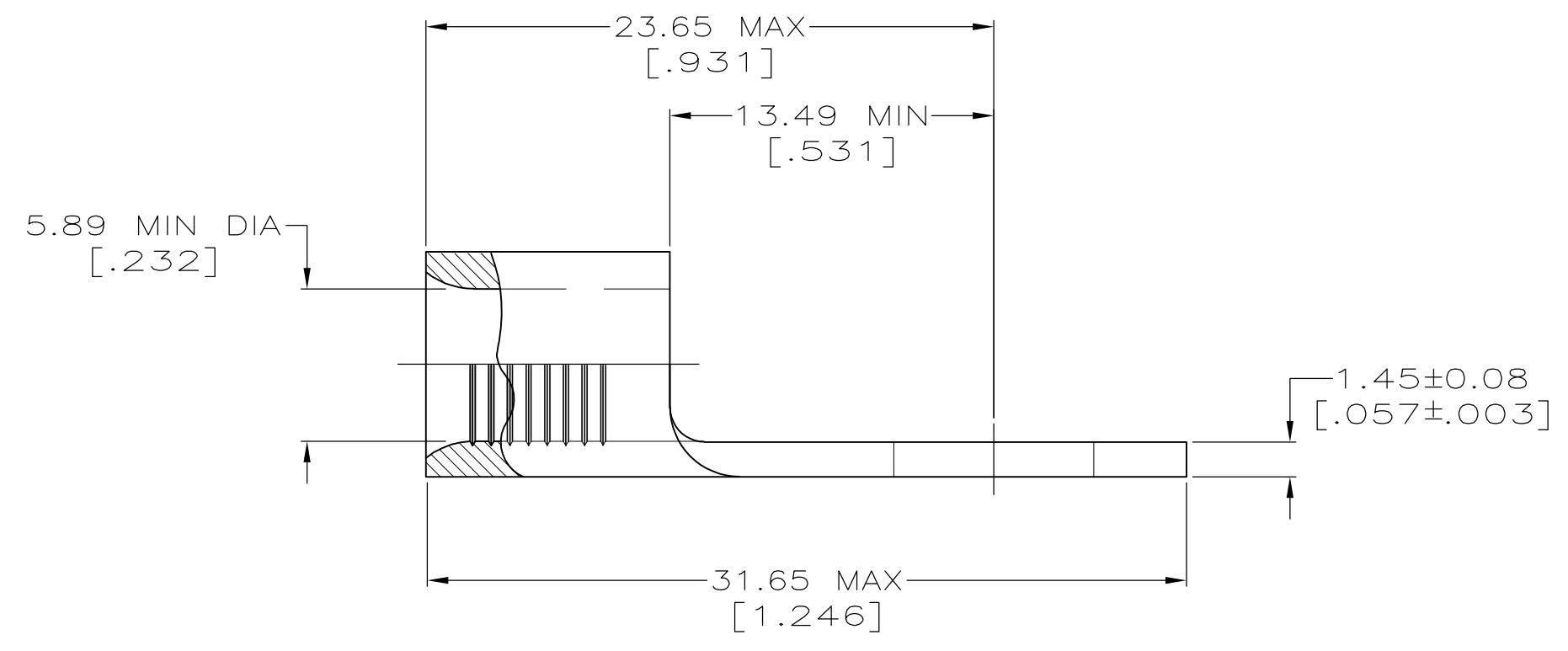
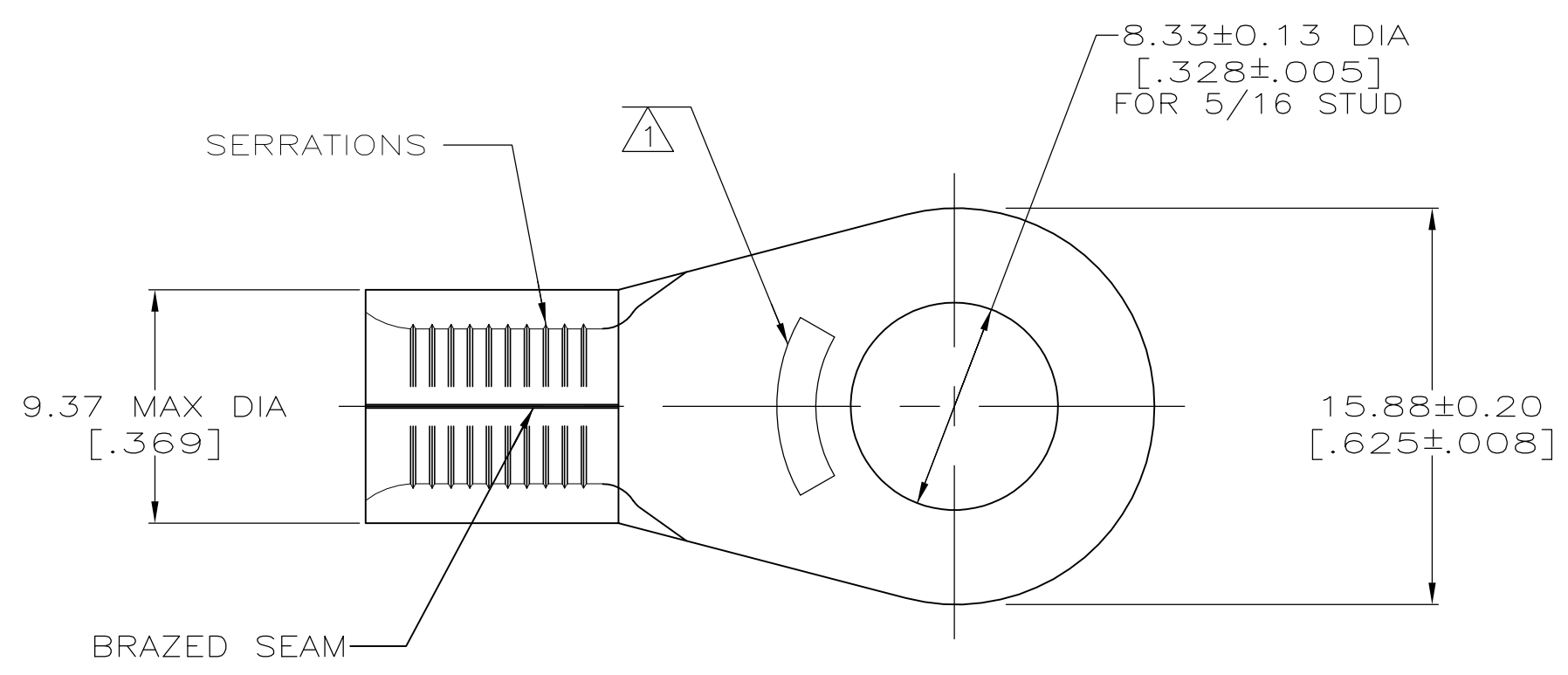


LOC	DIST	REVISIONS					
G	14	P	LTR	DESCRIPTION	DATE	OWN	APVD
		N2		REVISED PER ECO-11-004820	11MAR11	RK	HMR



AMP WIRE RANGE	Listed FILE E13288
6 AWG SOLID OR STRANDED	6 AWG STRANDED
LR7189 Certified	MILITARY P/N AND CLASS
6 AWG SOLID OR STRANDED	MS 20659-131 CLASS 2 P/N 33466 & 2-33466-3 ONLY

- ① STAMP AMP 6* APPROX AS SHOWN
- ② 0.00254 [.000100] MIN TIN PLATE PER ASTM B-545.
- ③ GOLD PLATE 0.00127 [.000050] MIN THK PER ASTM B-488, TYPE 2, GRADE C OVER NICKEL PLATE 0.00076 [.000030] MIN THK PER QQ-N-290.
- ④ SUPERSEDED BY 8-33466-3
- ⑤ COPPER PER ASTM B-152, ANNEALED

	②	25	LOOSE PIECE, BAG	8-33466-5	④
	②	25	LOOSE PIECE, BOX	8-33466-3	
OBSOLETE	②	500	LOOSE PIECE, BOX	2-33466-4	
	②	750	33466 ON TAPE	2-33466-3	
	③	----	LOOSE PIECE	2-33466-1	
	②	----	LOOSE PIECE	33466	
	FINISH	QTY	PACKAGE TYPE	PART NO	

AMP INCORPORATED CUSTOMER SERVICE SYSTEMS		MAX RECOMMENDED OPERATING TEMPERATURE: 170°C
FOR ADDITIONAL PRODUCT INFORMATION OR COPIES OF DRAWINGS AND TECHNICAL DOCUMENTS	PRODUCT INFORMATION CENTER 1-800-522-6752	VOLTAGE RATING: N/A
FOR APPLICATION TOOLING INFORMATION	TOOLING ASSISTANCE CENTER 1-800-722-1111	CIRCULAR MIL AREA: 10.5-16.8mm ² [20,800-33,100] SOLID OR STRANDED
FOR ORDER ENTRY	1-800-526-5142	THIS DRAWING IS A CONTROLLED DOCUMENT FOR AMP INCORPORATED. IT IS SUBJECT TO CHANGE AND THE CONTROLLING ENGINEERING ORGANIZATION SHOULD BE CONTACTED FOR THE LATEST REVISION.

THIS DRAWING IS A CONTROLLED DOCUMENT.		DWN TA BRINKMAN 3-24-93	TE Connectivity		
DIMENSIONS: mm [INCHES]		CHK DA PATTERSON 3-24-93			
TOLERANCES UNLESS OTHERWISE SPECIFIED:		APVD JL MECKLEY 3-24-93	NAME TERMINAL, RING TONGUE, SOLISTRAND		
0 PLC ± - 1 PLC ± - 2 PLC ± - 3 PLC ± - 4 PLC ± - ANGLES ± ± -		PRODUCT SPEC - APPLICATION SPEC -	SIZE A2	CAGE CODE 00779	DRAWING NO G-33466
MATERIAL - ⑤	FINISH SEE TABLE	WEIGHT -	RESTRICTED TO -		
CUSTOMER DRAWING			SCALE 4:1	SHEET 1 OF 1	REV N2

X-ON Electronics

Largest Supplier of Electrical and Electronic Components

Click to view similar products for [Terminals](#) category:

Click to view products by [TE Connectivity](#) manufacturer:

Other Similar products are found below :

[TE Connectivity](#)