

AS SHOWN : 2334884-1

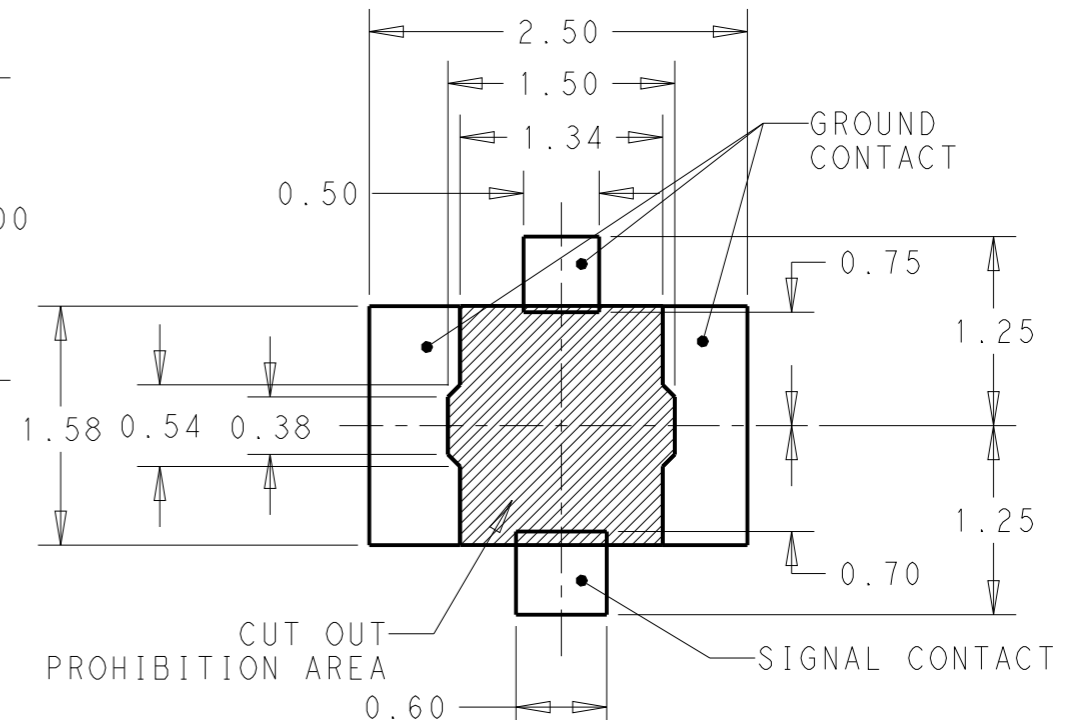
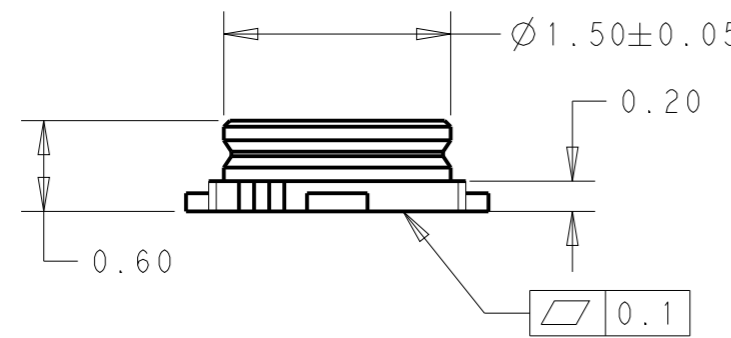
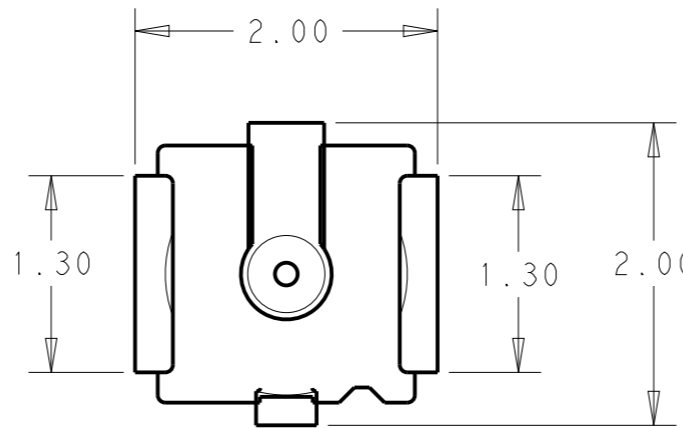
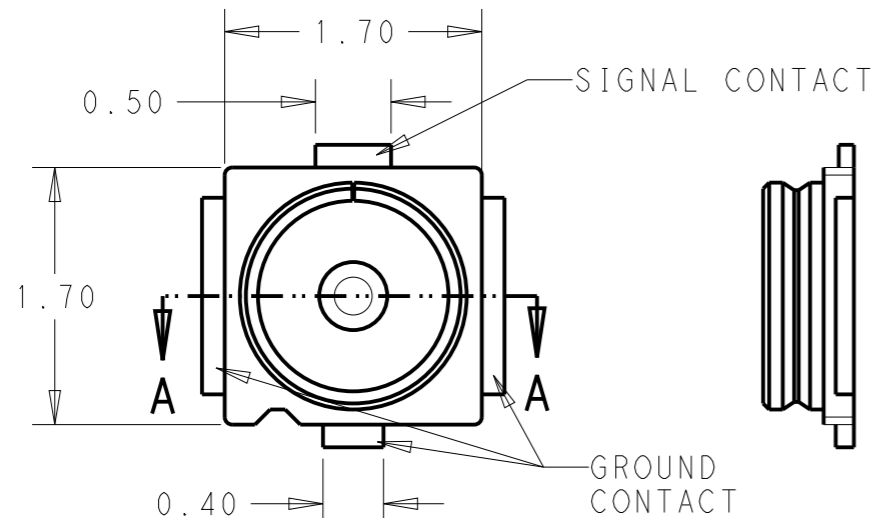
REVISIONS					
P	LTR	DESCRIPTION	DATE	DWN	APVD
	A4	MODIFY TITLE	28NOV2018	H.T	H.T
	A8	ECR-21-104161 FREQUENCY	28MAY2021	JZ	WKH

- TECHNICAL PARAMETERS
 FREQUENCY RANGE : 0~6GHz
 NOMINAL CHARACTERISTICS IMPEDANCE : 50Ω
 INSULATION RESISTANCE : 500MΩMIN
 INITIAL CONTACT RESISTANCE
 20mΩMAX(INNER CONTACT) / 20mΩMAX(OUT CONTACT)
 WITH STANDING VOLTAGE : 200V AC 1min
 OPERATING TEMPERATURE : -40°C ~ +85°C
- ELECTRICAL PERFORMANCE
 VSWR : 1.4MAX (RANGE : 0~6GHz)



Ø0.45±0.05

A-A



STANDARD PCB LAYOUT SCALE : 20:1

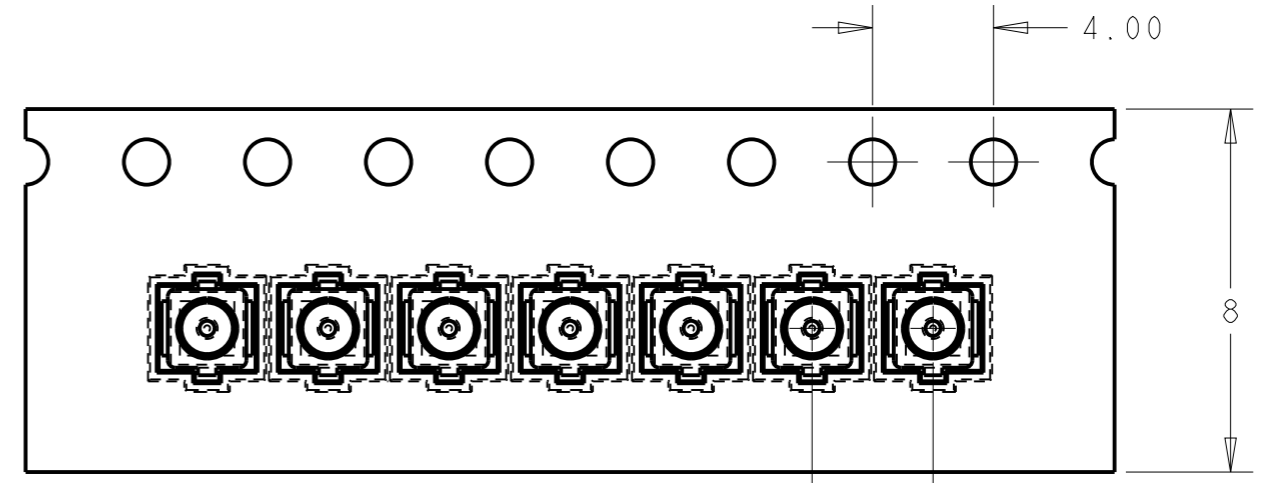
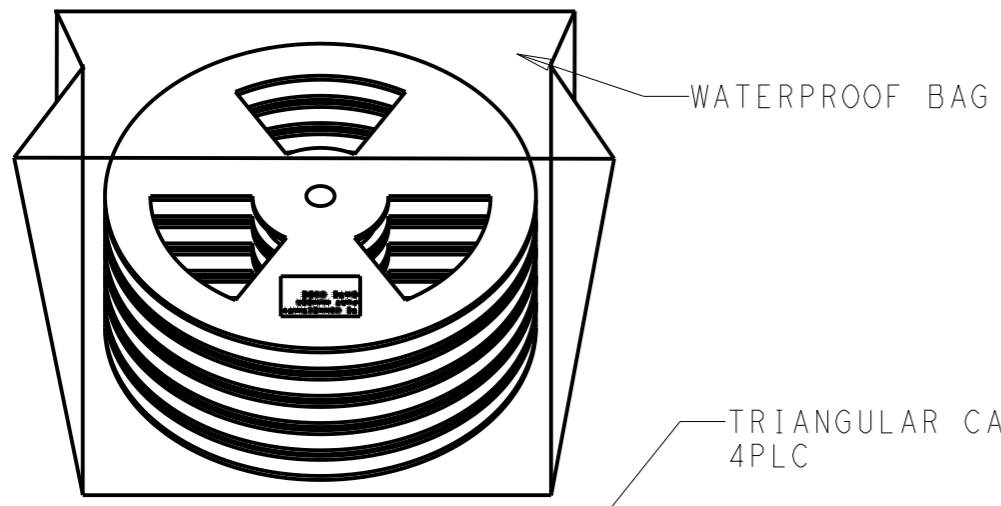
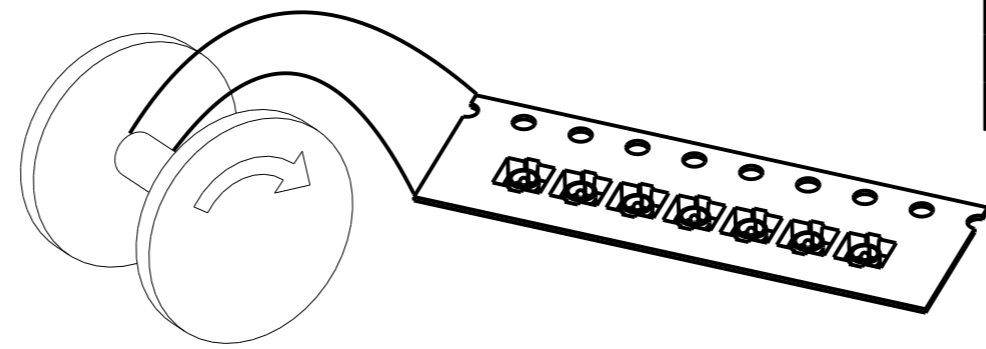
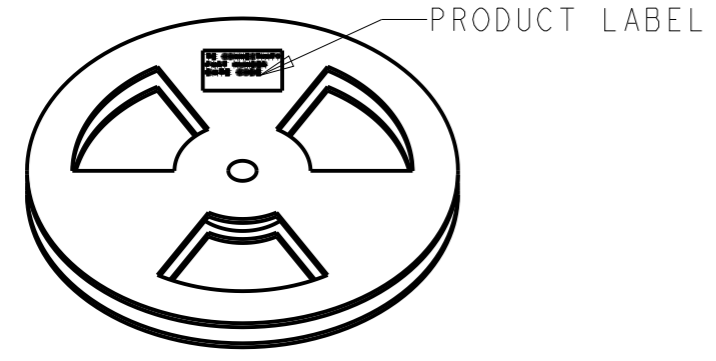
1	CENTER CONTACT	3
1	DIELECTRIC	2
1	SHELL	1
QTY	DESCRIPTION	ITEM

THIS DRAWING IS A CONTROLLED DOCUMENT.		DWN H. TAMURA	17MAY2018		
DIMENSIONS: mm		CHK -	APVD -		
TOLERANCES UNLESS OTHERWISE SPECIFIED: ±0.15		PRODUCT SPEC -		NAME UMCC MICRO-COAX RECEPTACLE GEN 4 COMPATIBLE WITH MHF4	
0 PLC ± 1 PLC ± 2 PLC ± 3 PLC ± 4 PLC ± ANGLES ±3°		APPLICATION SPEC -		SIZE A3	CAGE CODE 00779
MATERIAL TBD	FINISH -	WEIGHT -		DRAWING NO C=2334884	RESTRICTED TO -
CUSTOMER DRAWING				SCALE 20:1	SHEET 1 OF 2
				REV A8	

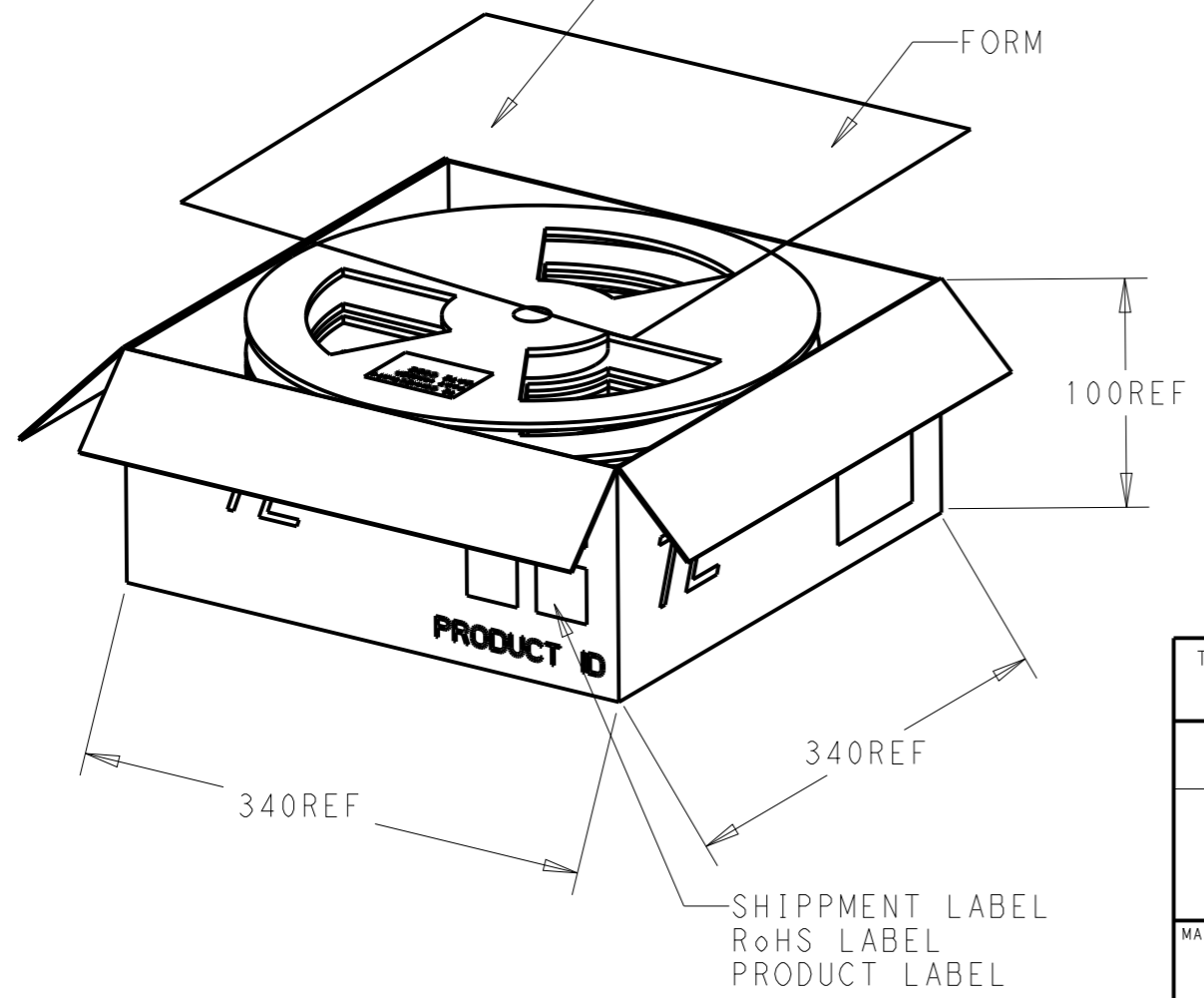
THIS DRAWING IS UNPUBLISHED. RELEASED FOR PUBLICATION 2018
 © COPYRIGHT 2018 BY TE CONNECTIVITY ALL RIGHTS RESERVED.


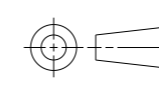
REVISIONS					
P	LTR	DESCRIPTION	DATE	DWN	APVD
-		SEE SHEET 1	-	-	-

NOTE
 10000 PCS / REEL
 6 REEL / BOX
 60000 PCS / BOX
 REEL DIM : 330mm
 MATERIAL : PS 0.3mm



➔ USER DIRECTION OF UNREELING



THIS DRAWING IS A CONTROLLED DOCUMENT.		DWN H. TAMURA	17MAY2018	 TE Connectivity	
DIMENSIONS: mm		CHK -	APVD -		
		TOLERANCES UNLESS OTHERWISE SPECIFIED: 0 PLC ±: 1 PLC ±: 2 PLC ±: 3 PLC ±: 4 PLC ±: ANGLES ±3°		NAME UMCC MICRO-COAX RECEPTACLE GEN 4 COMPATIBLE WITH MHF4	
MATERIAL TBD	FINISH -	PRODUCT SPEC -	APPLICATION SPEC -	SIZE A3	CAGE CODE 00779
		WEIGHT -	DRAWING NO C-2334884	RESTRICTED TO -	
CUSTOMER DRAWING			SCALE NTS	SHEET 2 OF 2	REV A8

X-ON Electronics

Largest Supplier of Electrical and Electronic Components

Click to view similar products for [RF Connectors / Coaxial Connectors](#) category:

Click to view products by [TE Connectivity](#) manufacturer:

Other Similar products are found below :

[8915-1511-000](#) [89674-0827](#) [6001-7071-019](#) [6002-7051-003](#) [6002-7551-202](#) [6059674-1](#) [619550-1](#) [630059-000](#) [M39030/3-01N](#) [6500-7071-046](#) [6769](#) [CX050L2AQ](#) [7002-1541-010](#) [7002-1542-011](#) [7004-1512-000](#) [7009-1511-004](#) [7010-1511-000](#) [7029-1511-060](#) [7101-1541-010](#) [7101-1571-002](#) [7105-1521-002](#) [7145-1521-002](#) [7203-1571-003](#) [7209-1511-011](#) [7210-1511-015](#) [7210-1511-019](#) [73137-5015](#) [73216-2241](#) [73404-2300](#) [7405-1521-005](#) [7405-1521-802](#) [8527](#) [8547](#) [FS11V](#) [877931](#) [9049-9513-000](#) [9074-9513-000](#) [9101-9573-002](#) [910A205F](#) [9130-9573-002](#) [PL11SC-026](#) [PL375-33](#) [PL40-5](#) [PL74C-221](#) [PL75MC-217](#) [PL803-7](#) [1200690078](#) [1-201144-1](#) [R107003010W](#) [R110A172100](#)