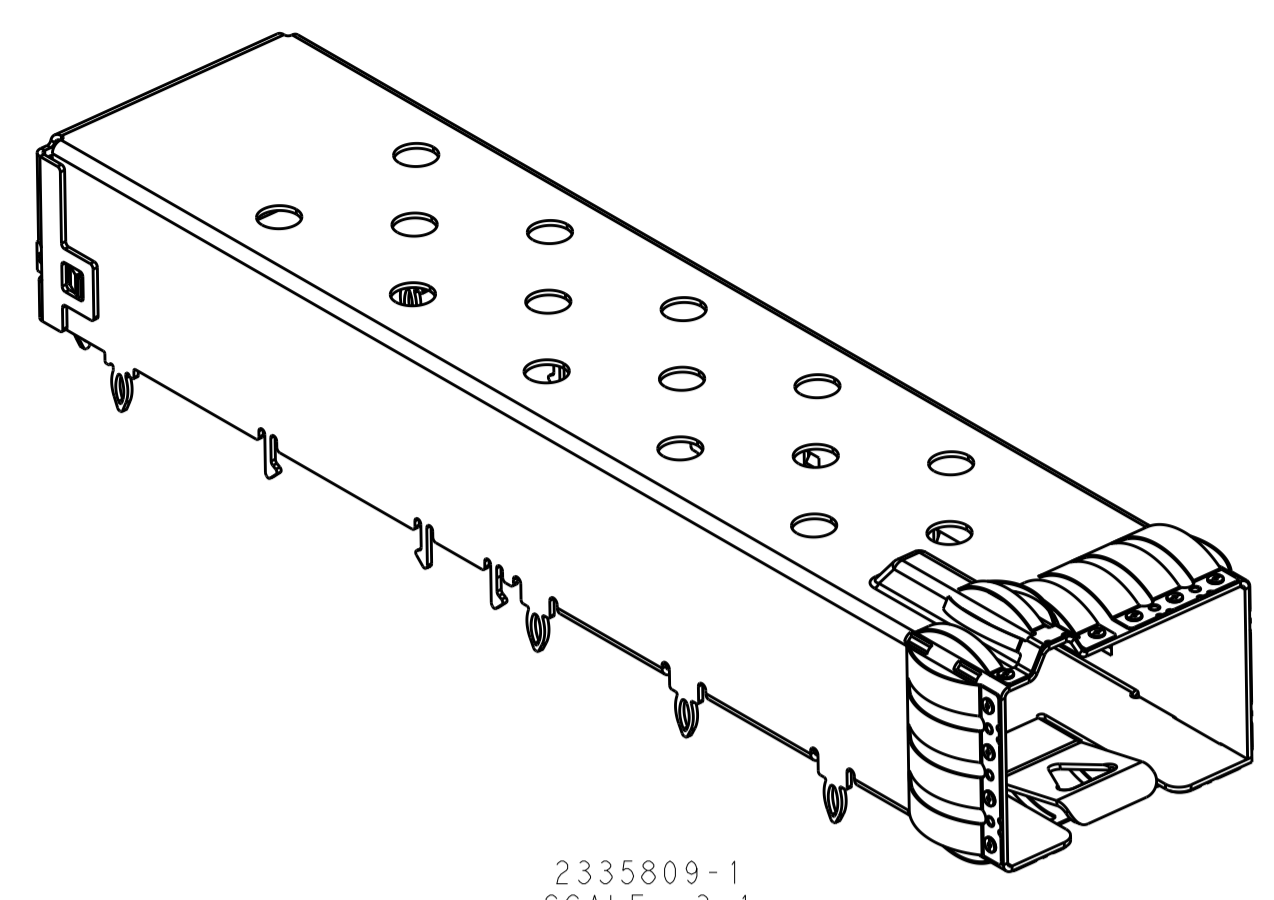
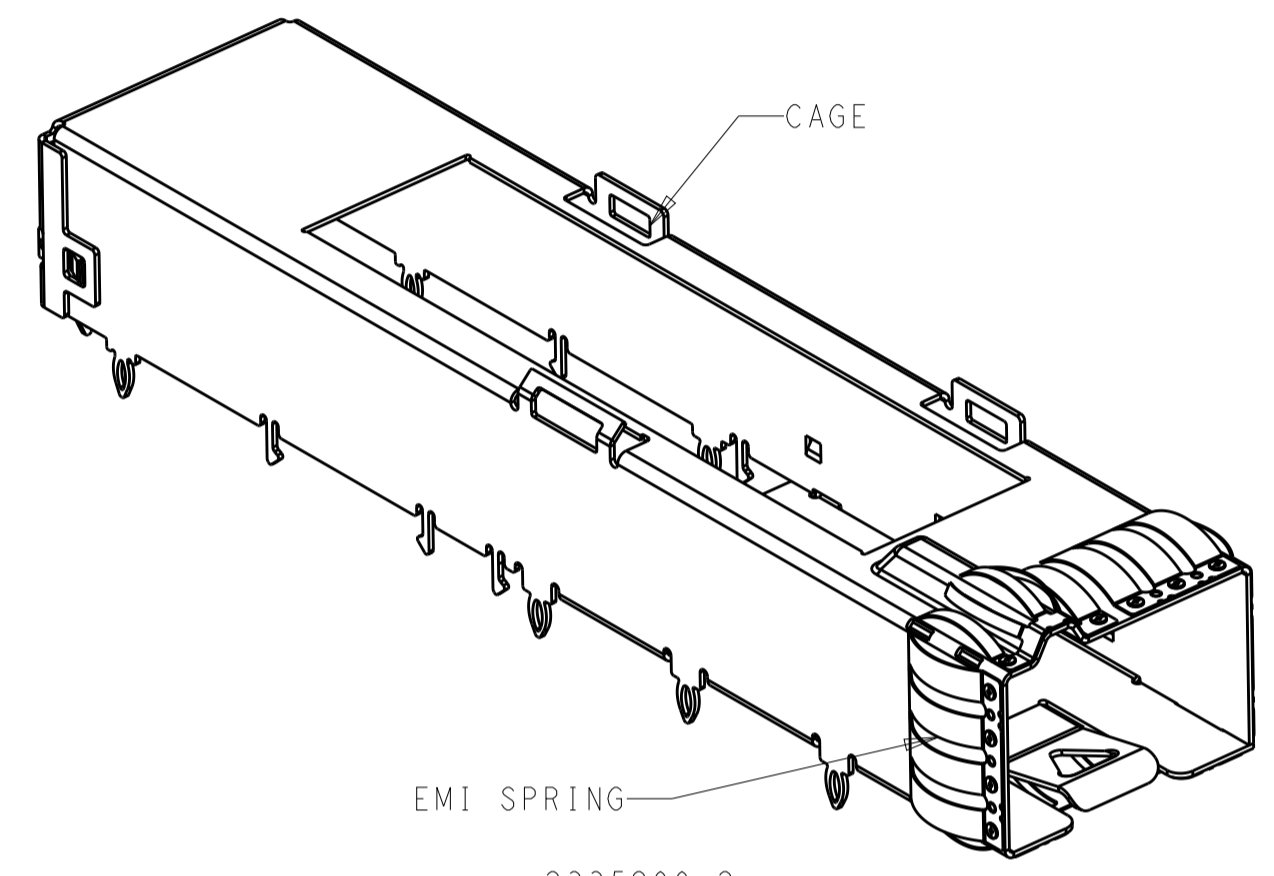


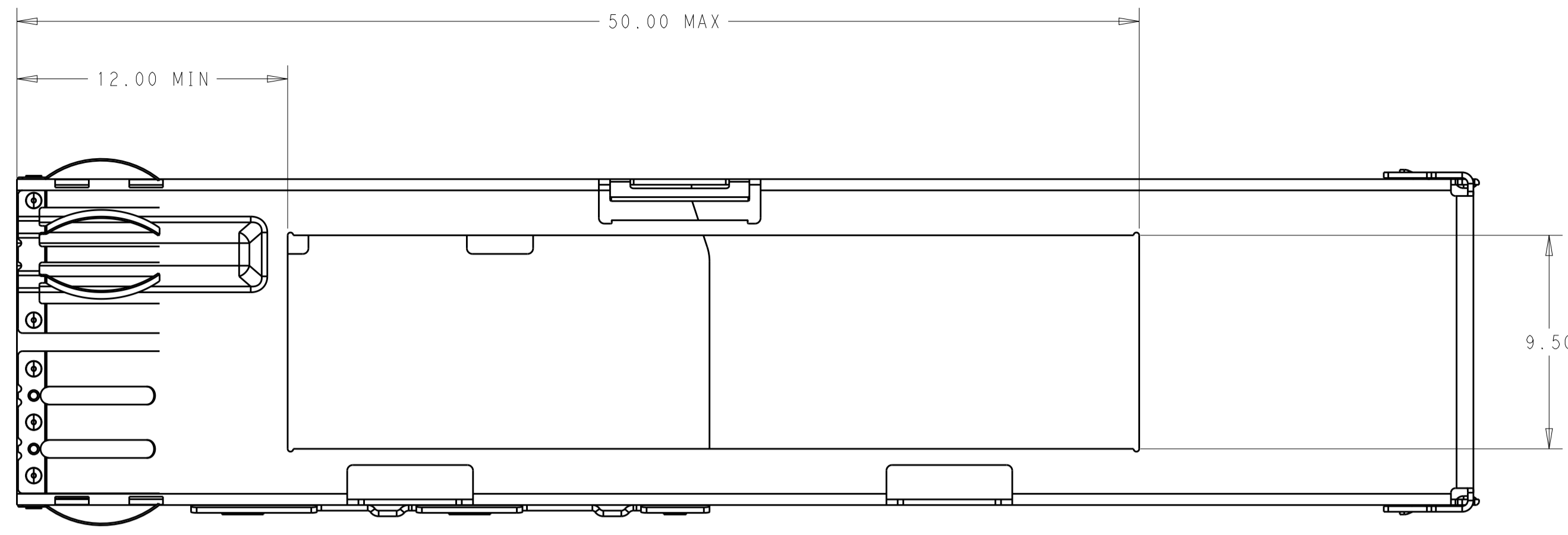
REVISIONS				
P.	LTN.	DESCRIPTION	DATE	APVD.
A		INITIAL RELEASE	15JUN2020	AJ SH



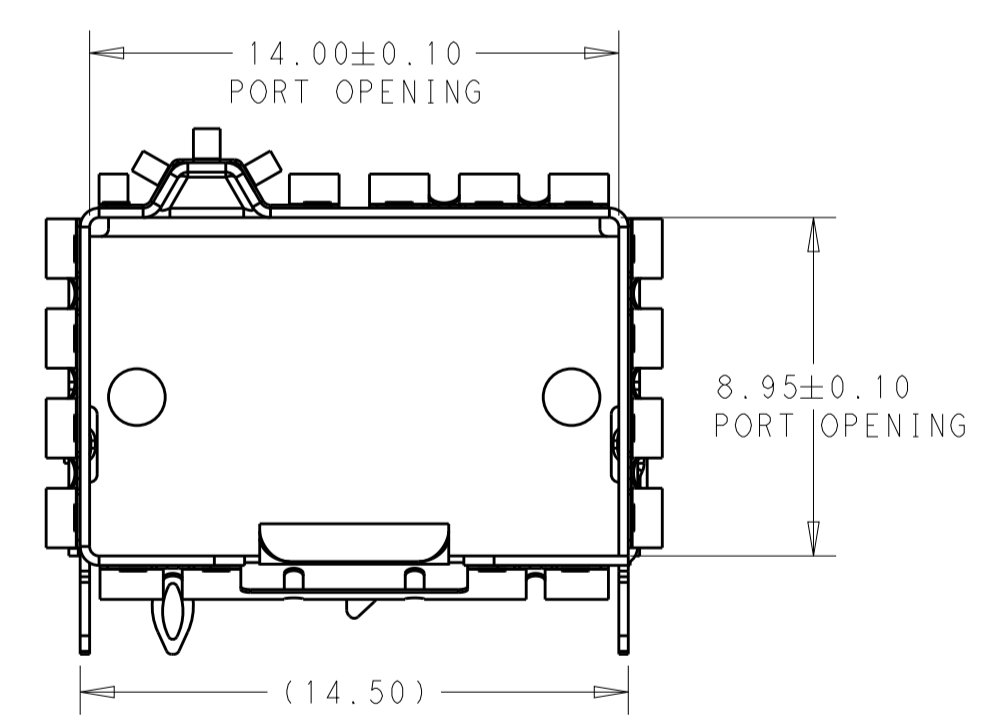
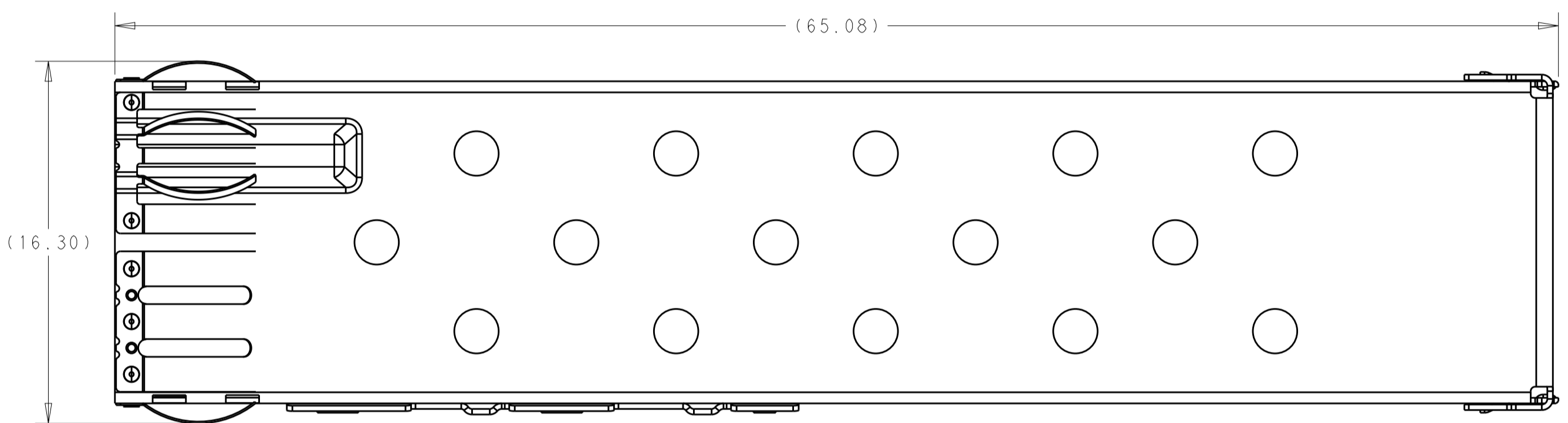
2335809-1
SCALE 3:1



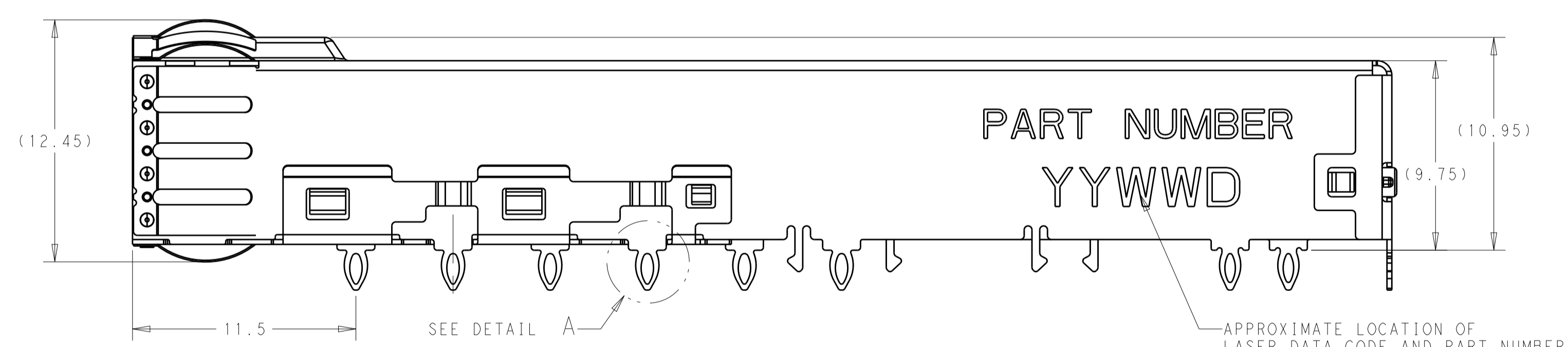
2335809-2
SCALE 3:1



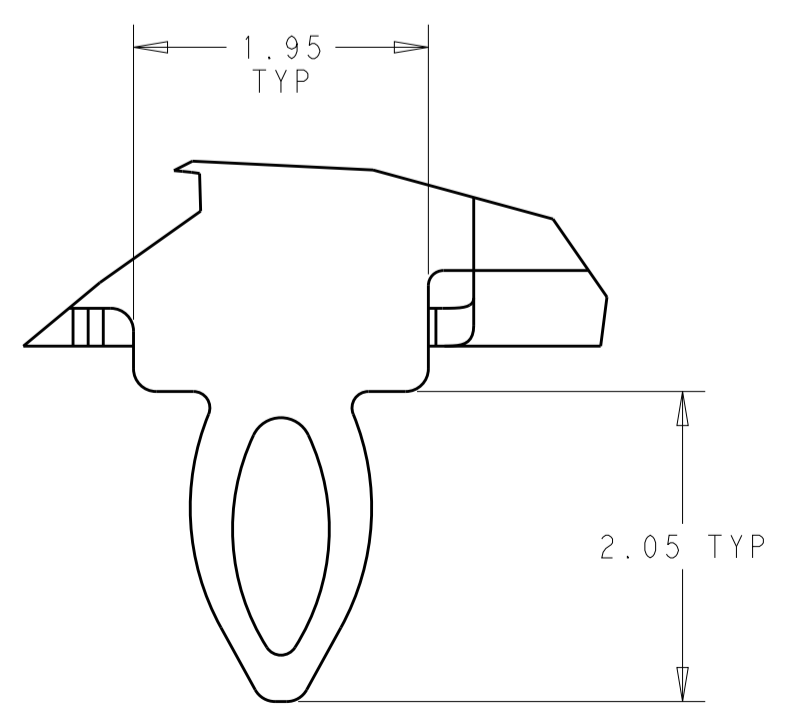
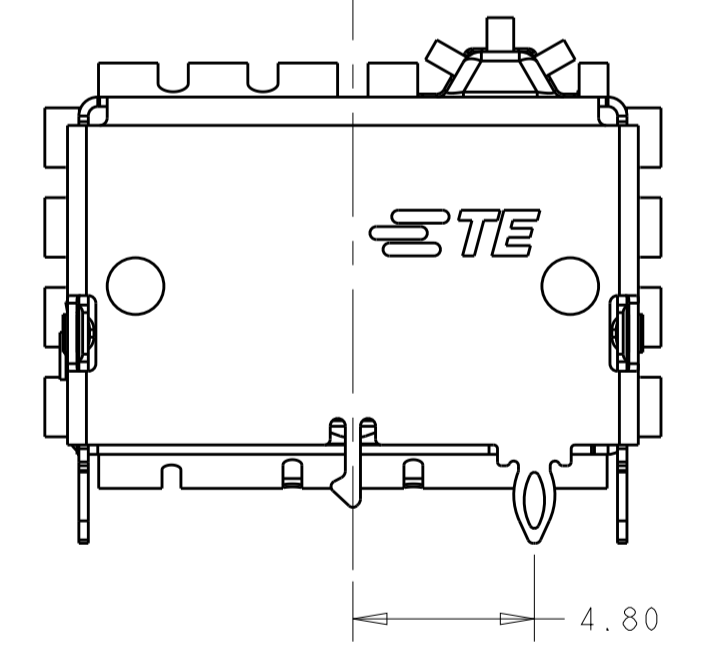
2335809-2 SCALE 5:1
SAME AS 2335809-1 EXCEPT AS SHOWN
TOP VIEW



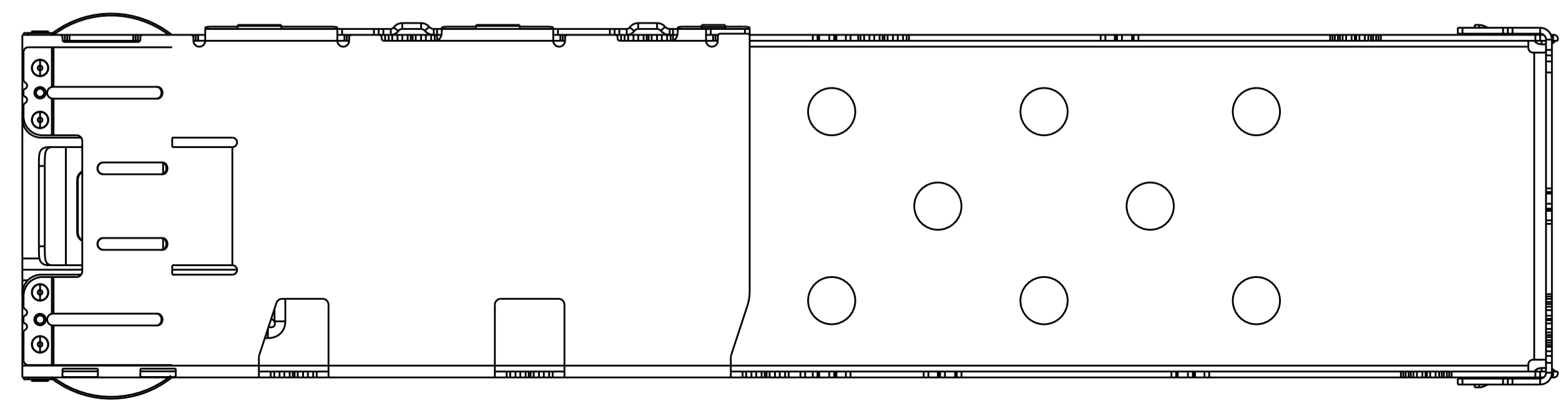
SCALE 5:1



2335809-1 AS SHOWN
SCALE 5:1



DETAIL A
SCALE 20:1



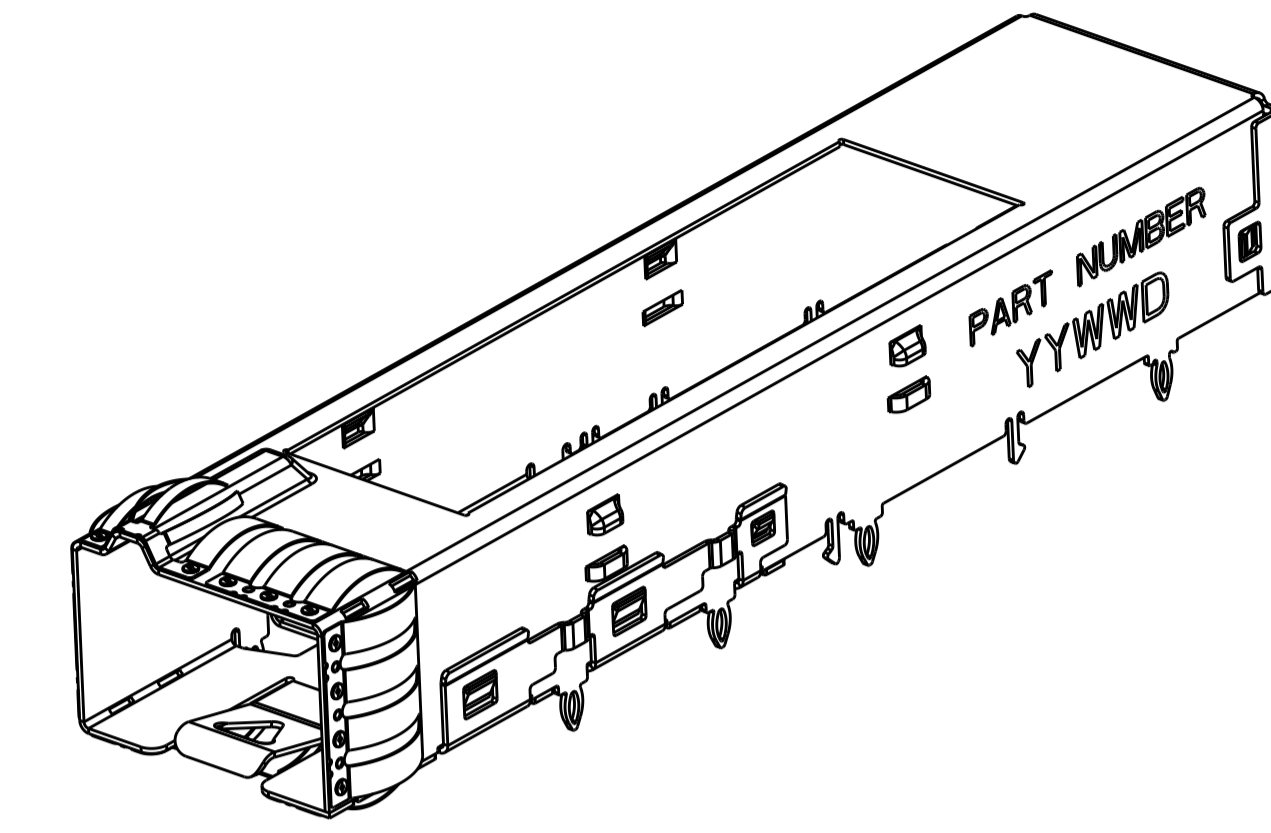
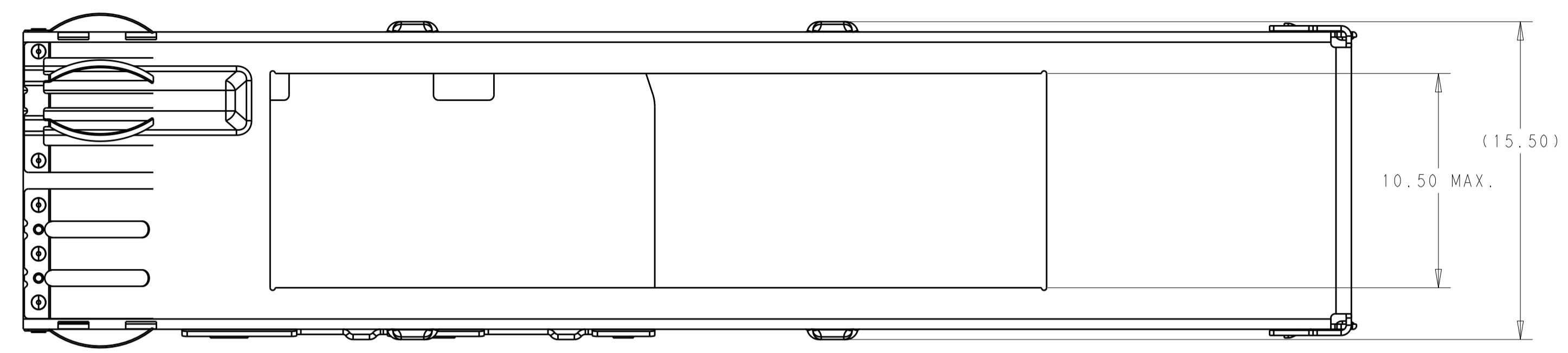
- 1 MATERIAL:
CAGE ASSEMBLY - 0.25mm THICK STAINLESS STEEL.
EMI SPRINGS - COPPER ALLOY.
- 2 FINISH
EMI SPRINGS - NICKEL PLATING, NON-PLATED EDGES PERMISSIBLE.
3. MATES WITH SFP-DD MSA COMPLIANT TRANSCEIVERS.
- 4 DATUM AND BASIC DIMENSION ESTABLISHED BY CUSTOMER.
5. MINIMUM PC BOARD THICKNESS:
SINGLE SIDED = 1.57 mm
DOUBLE SIDED = 2.20 mm
- 6 REFERENCE APPLICATION SPEC. 114-60027, HOLE A, FOR
RECOMMENDED DRILL HOLE DIAMETER AND PLATING THICKNESS.
- 7 REFERENCE APPLICATION SPEC. 114-60027, HOLE B, FOR
RECOMMENDED DRILL HOLE DIAMETER AND PLATING THICKNESS.
8. DATUM -A- IS TOP SURFACE OF THE HOST BOARD.

CUSTOMER DRAWING	SCALE	SHEET	OF	REV
CUST TOP OPENING+SIDE PUNCH	2	2335809-4		
STANDARD TOP OPENING	2	2335809-2		
CLOSED TOP	2	2335809-1		
REMARK	# REAR PINS	PART NUMBER		

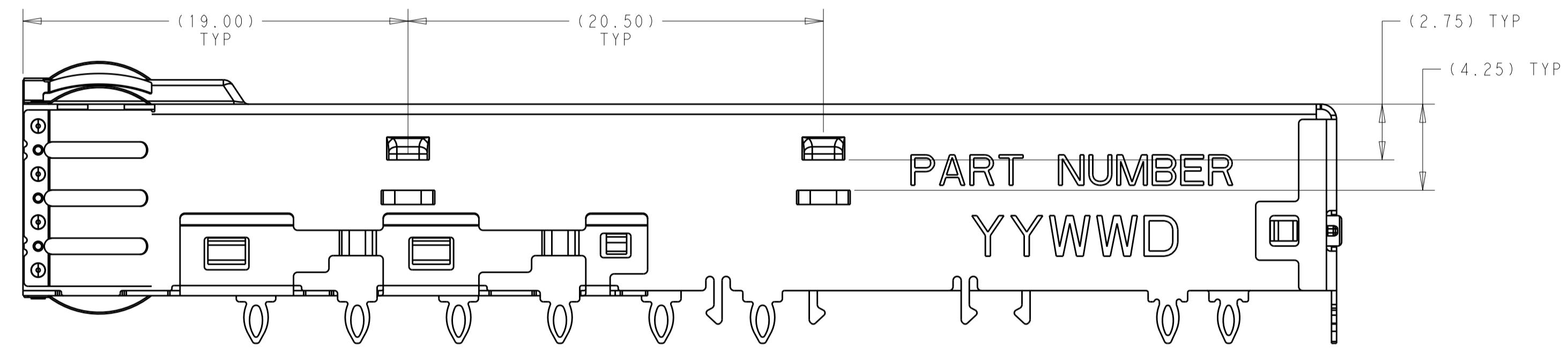
THIS DRAWING IS A CONTROLLED DOCUMENT.		DWN: 08OCT2018	NAME	
DIMENSIONS:		CHK: VINDY LIU	CAGE ASSEMBLY, 1X1	
TOLERANCES UNLESS OTHERWISE SPECIFIED:		CHK: SEAN HAN	SFP-DD, STANDARD	
mm	0 PLC ±	APVD:	-	
	1 PLC ±0.25	PRODUCT SPEC	-	
	2 PLC ±0.20	108-60128	-	
	3 PLC ±0.10	APPLICATION SPEC	-	
	4 PLC ±	114-60027	-	
	ANGLES ±	WEIGHT	-	
MATERIAL	FINISH	CUSTOMER DRAWING	SIZE	CAGE CODE
-	-	-	A100779	C=2335809
CUSTOMER DRAWING		SCALE	2:1	SHEET 1 OF 5

REVISIONS				
P.	LTN.	DESCRIPTION	DATE	APVD.
-	-	SEE SHEET 1	-	-

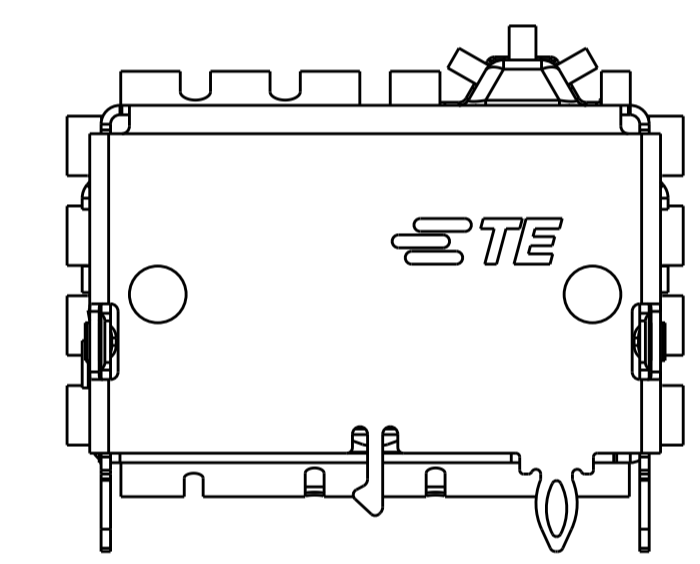
2335809-4 AS SHOWN:
 SAME AS -2 EXCEPT BELOW SPECIFIC DIMENSIONS



2335809-4 AS SHOWN
 SCALE 3:1

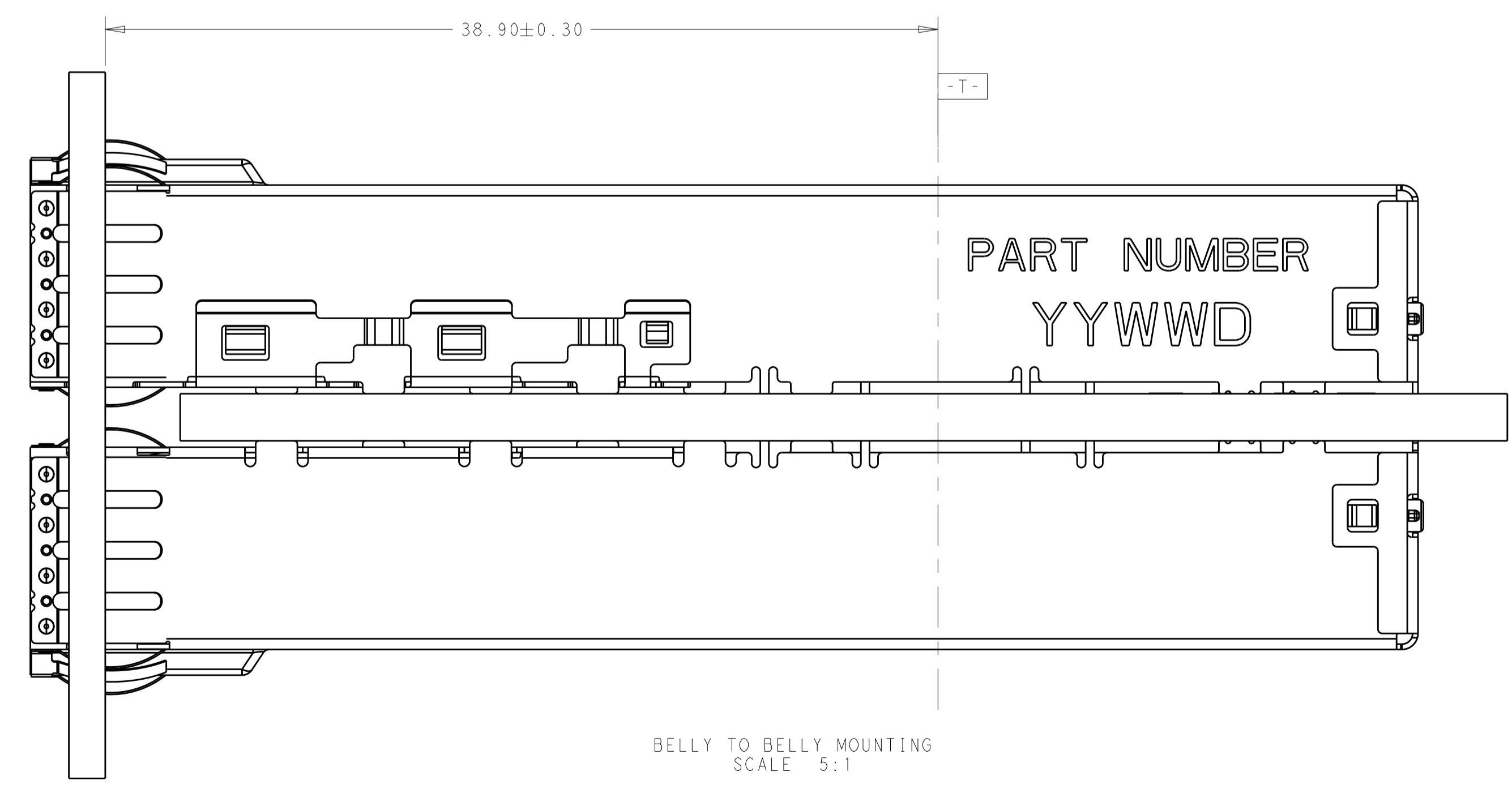
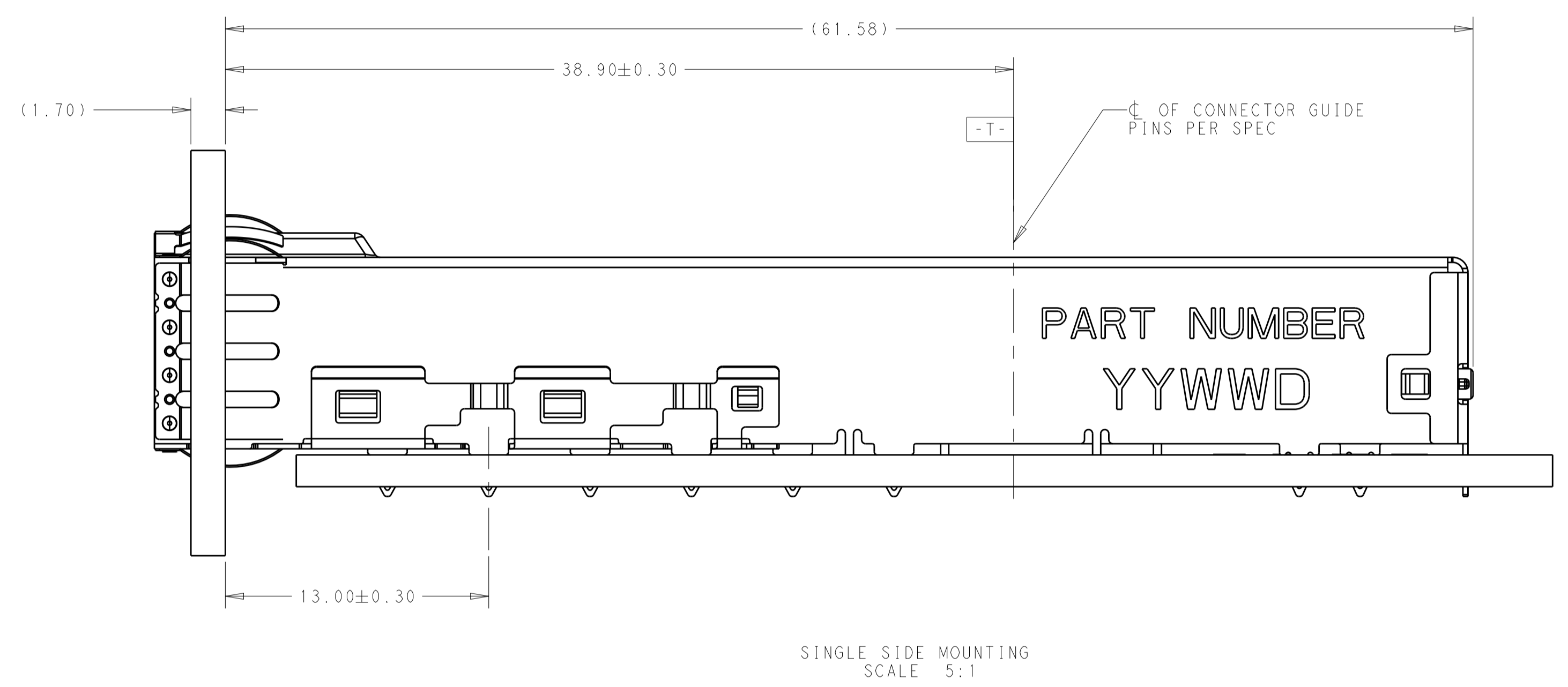
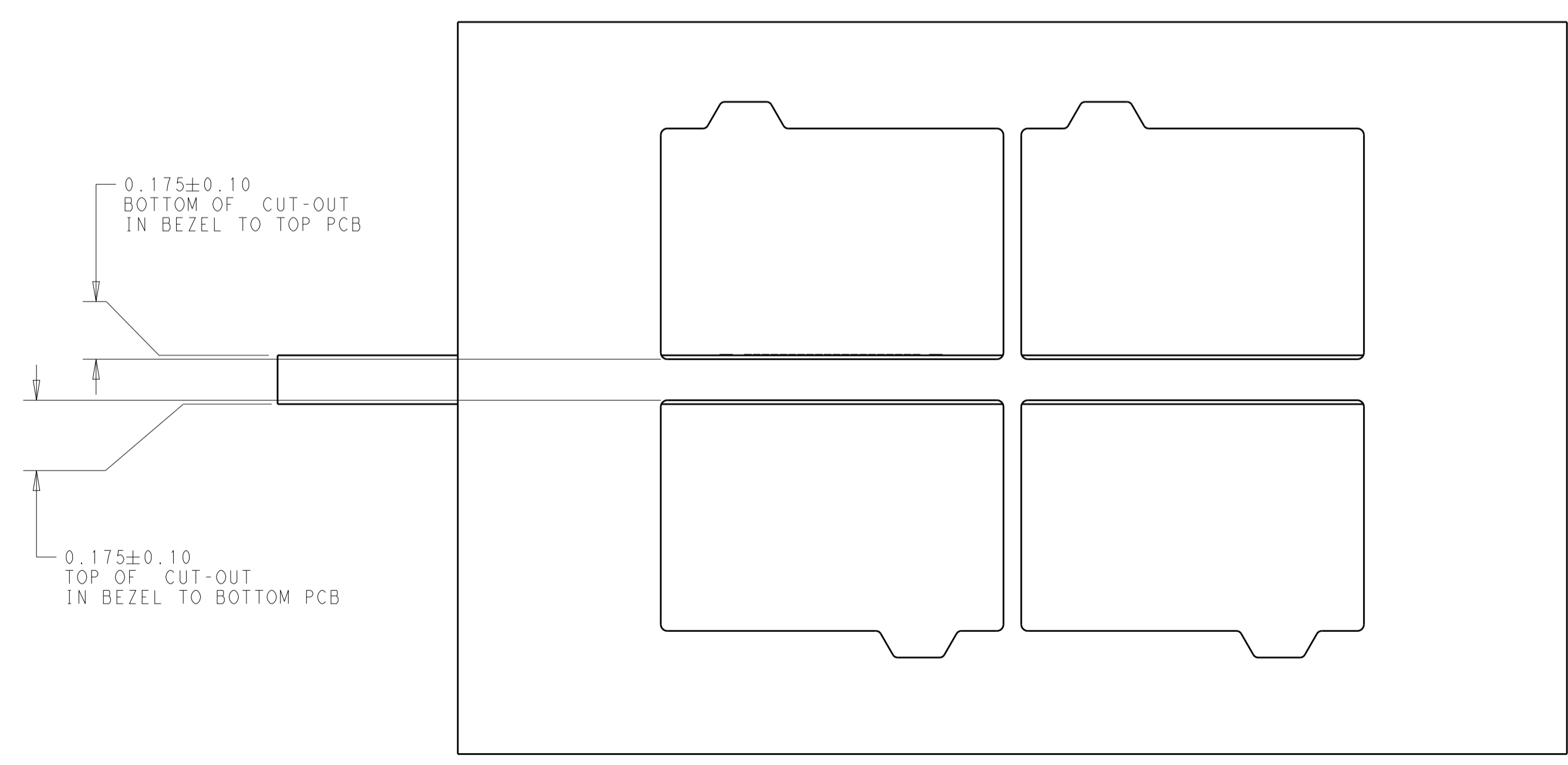
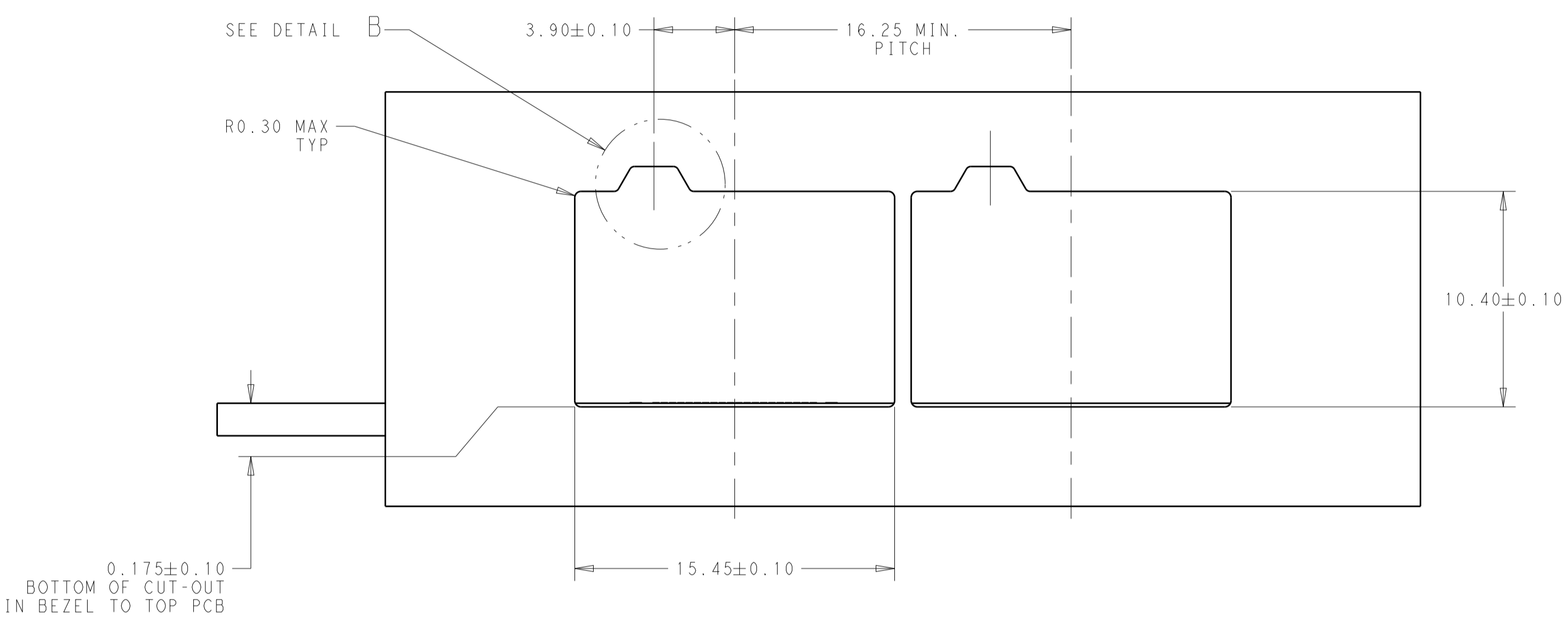
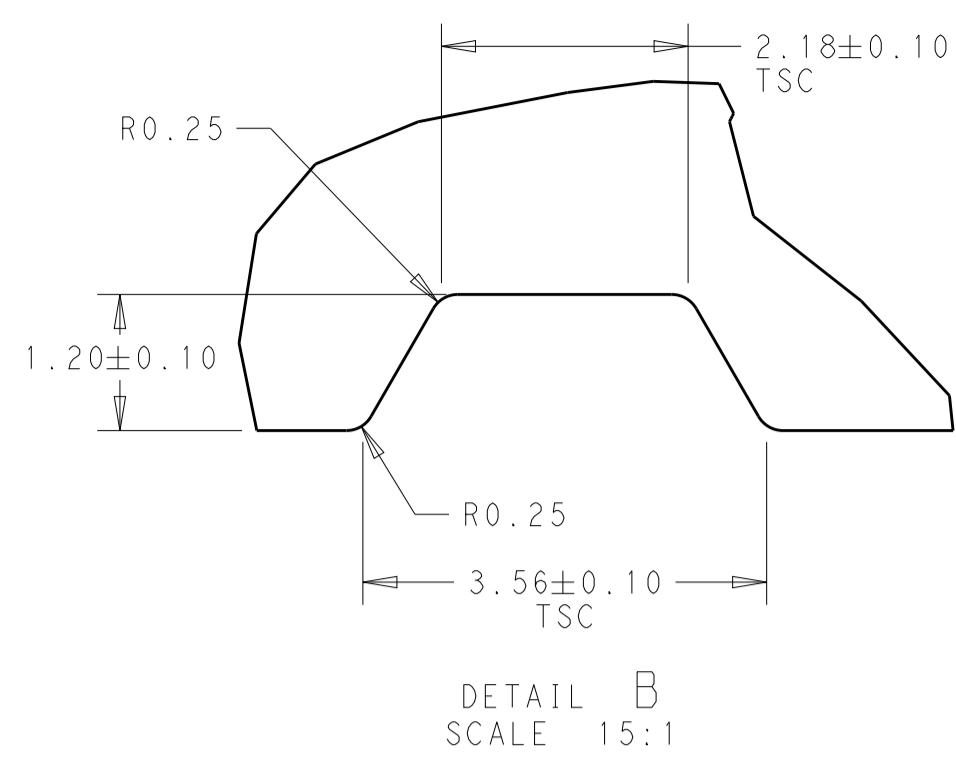


2335809-4 AS SHOWN
 SCALE 5:1



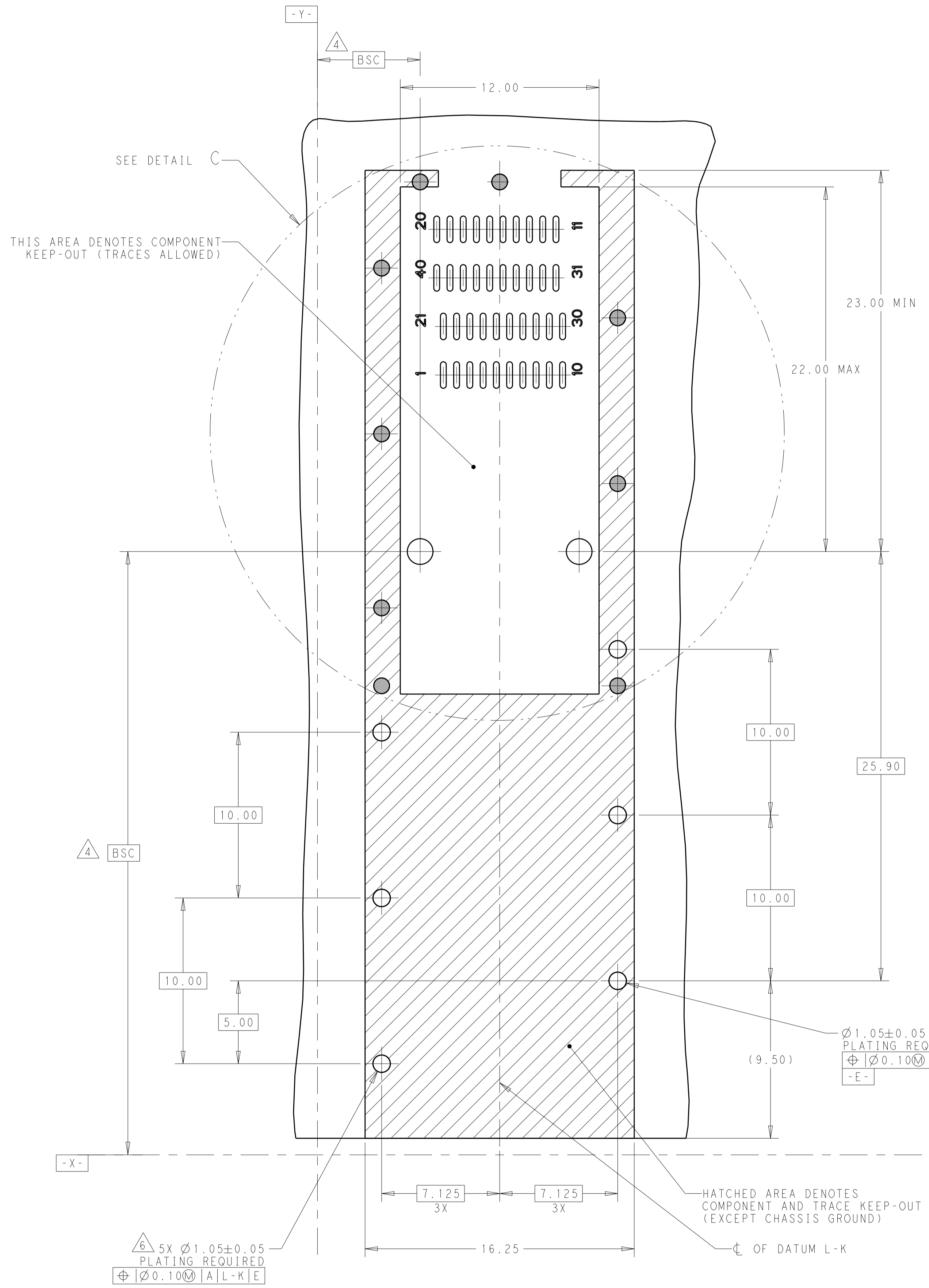
THIS DRAWING IS A CONTROLLED DOCUMENT.		DWN: VINDY LIU 08OCT2018 CHK: SEAN HAN 08OCT2018	TE Connectivity	
DIMENSIONS: mm TOLERANCES UNLESS OTHERWISE SPECIFIED: 0 PLC ± 1 PLC ±0.25 2 PLC ±0.20 3 PLC ±0.10 4 PLC ± ANGLES ± FINISH ±		APVD: -		
MATERIAL: - FINISH: -		PRODUCT SPEC: 108-60128 APPLICATION SPEC: 114-60027	SIZE: A1 CAGE CODE: 00779 DRAWING NO: C=2335809	RESTRICTED TO: -
CUSTOMER DRAWING		WEIGHT: -	SCALE: 2:1	SHEET 2 OF 5 REV A

REVISIONS				
P.	LTH	DESCRIPTION	DATE	APVD
		SEE SHEET 1		

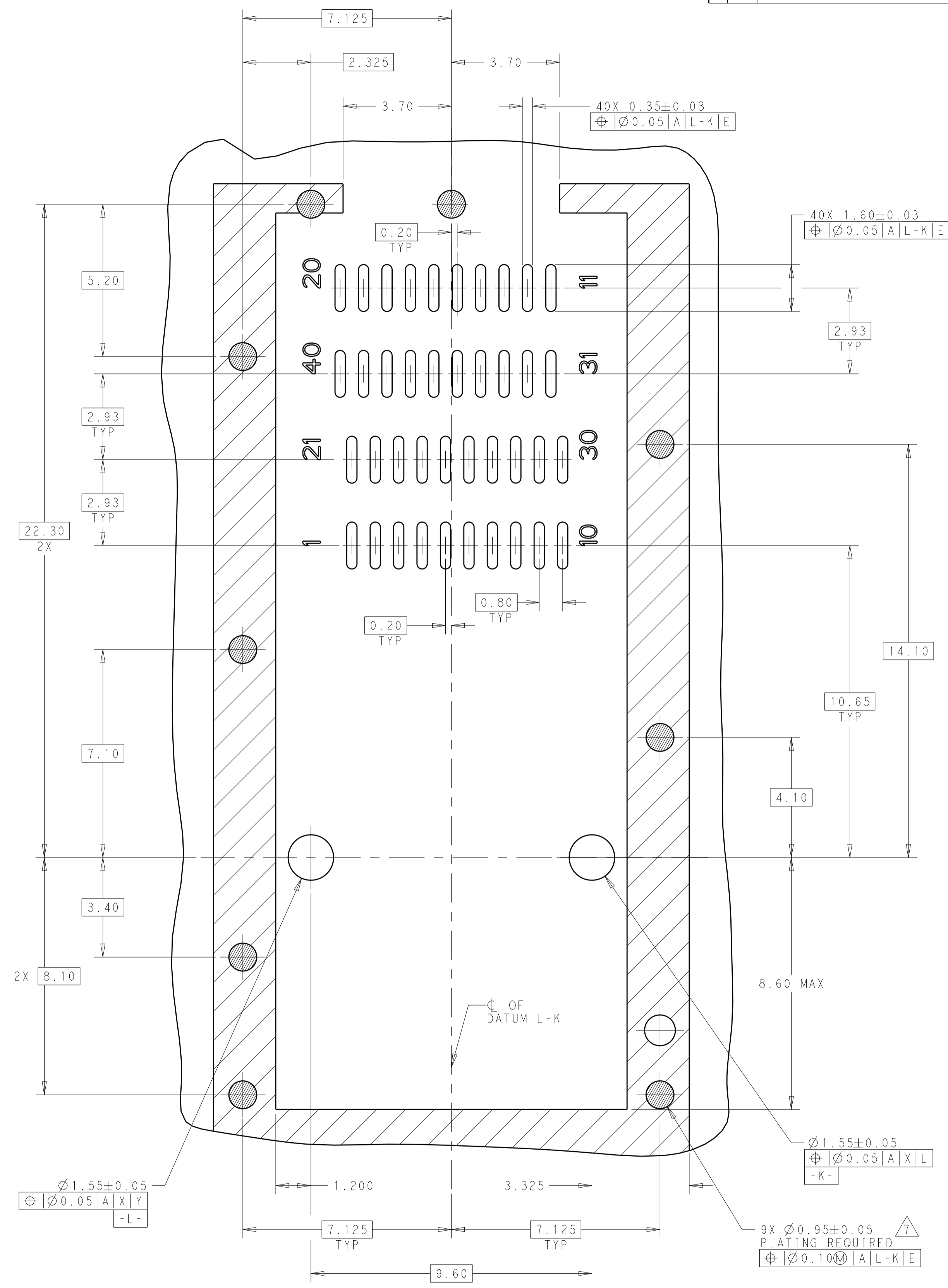


THIS DRAWING IS A CONTROLLED DOCUMENT.		OWN: WINDY LIU 08OCT2018	TE Connectivity
DIMENSIONS: mm		CHK: SEAN HAN 08OCT2018	
TOLERANCES UNLESS OTHERWISE SPECIFIED:		APVD:	NAME: CAGE ASSEMBLY, 1X1 SFP-DD, STANDARD
0 PLC ±	1 PLC ±0.25	PRODUCT SPEC: 108-60128	SIZE: A100779
2 PLC ±0.20	3 PLC ±0.10	APPLICATION SPEC:	CAGE CODE: 2335809
4 PLC ±	ANGLES ±	114-60027	RESTRICTED TO:
MATERIAL:	FINISH:	WEIGHT:	SCALE: 2:1
CUSTOMER DRAWING		SHEET 3 OF 5	REV A

REVISIONS				
P.	LTN.	DESCRIPTION	DATE	APPD.
		SEE SHEET 1		



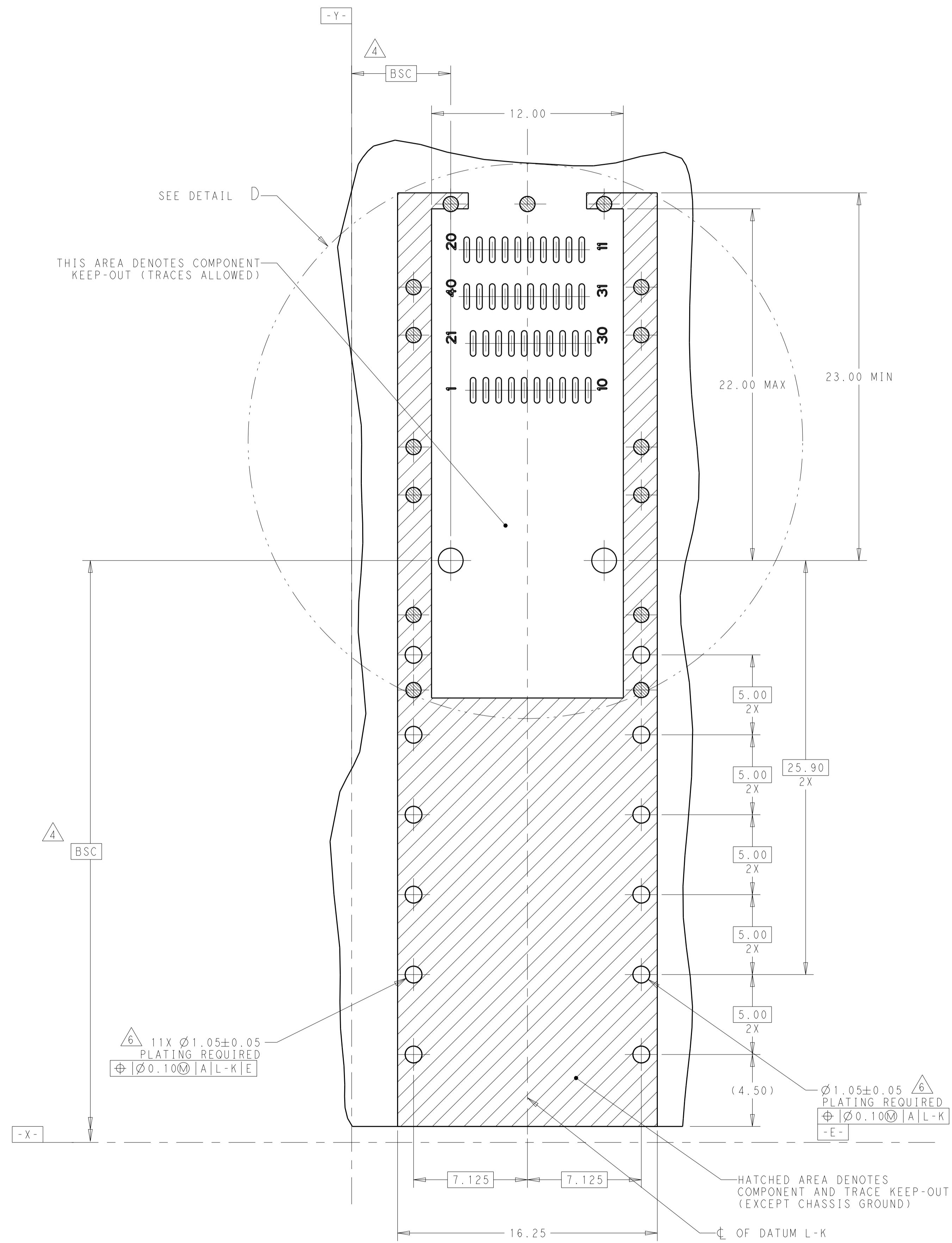
RECOMMENDED PCB LAYOUT
SINGLE TYPE
SCALE 6:1



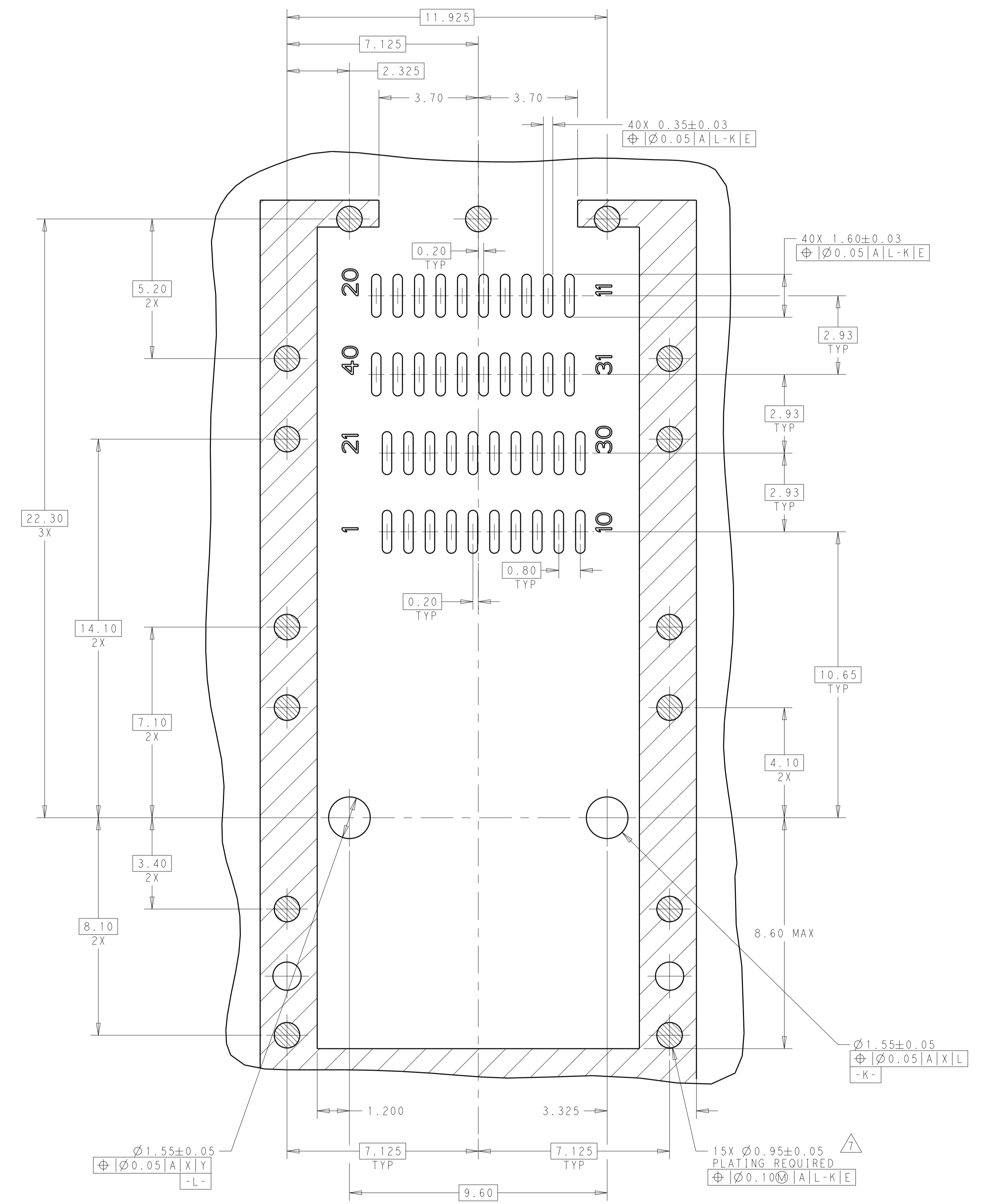
DETAIL C
SCALE 10:1

THIS DRAWING IS A CONTROLLED DOCUMENT.		DWN: WINDY LIU 08OCT2018	 TE Connectivity
DIMENSIONS: mm		CHK: SEAN HAN 08OCT2018	
TOLERANCES UNLESS OTHERWISE SPECIFIED:		APVD:	NAME: CAGE ASSEMBLY, 1X1 SFP-DD, STANDARD
0 PLC	±	PRODUCT SPEC	SIZE: CAGE CODE DRAWING NO
1 PLC	±0.25	108-60128	RESTRICTED TO
2 PLC	±0.20	APPLICATION SPEC	A100779C=2335809
3 PLC	±0.10	114-60027	SCALE 2:1 SHEET 4 OF 5 REV A
4 PLC	±	WEIGHT	
ANGLES	±	CUSTOMER DRAWING	
MATERIAL	FINISH		

REVISIONS				
P.	LTN.	DESCRIPTION	DATE	APPD.
		SEE SHEET 1		



RECOMMENDED PCB LAYOUT
 BELLY TO BELLY
 SCALE 6:1



DETAIL D
 SCALE 10:1

THIS DRAWING IS A CONTROLLED DOCUMENT.		DWN: WINDY LIU 08OCT2018	TE Connectivity
DIMENSIONS: mm		CHK: SEAN HAN 08OCT2018	
TOLERANCES UNLESS OTHERWISE SPECIFIED:		APVD:	NAME: CAGE ASSEMBLY, 1X1 SFP-DD, STANDARD
0 PLC	±	PRODUCT SPEC	SIZE: CAGE CODE DRAWING NO
2 PLC	±0.25	108-60128	RESTRICTED TO
3 PLC	±0.20	APPLICATION SPEC	
4 PLC	±0.10	114-60027	
ANGLES	±	WEIGHT	
MATERIAL		CUSTOMER DRAWING	
FINISH			

X-ON Electronics

Largest Supplier of Electrical and Electronic Components

Click to view similar products for [I/O Connectors](#) category:

Click to view products by [TE Connectivity](#) manufacturer:

Other Similar products are found below :

[571763P](#) [D20419-211](#) [72.250.1628.2](#) [72.250.2428.2](#) [74720-0505](#) [76.350.0729.0](#) [76871-1403](#) [FCN-244F080-G/1](#) [FCN-260A9920](#) [MP-5T180MUNNA-005](#) [PCR-E36PM](#) [PCS-XE26MA+](#) [G38A71314B](#) [1571250010](#) [157-22500-3](#) [MS3471L14-19P L/C](#) [172501-4002](#) [172501-6002](#) [FCN-260C008-A/L0](#) [FCN-260C024-AL0](#) [FCN-261Z008](#) [2000314-1](#) [200331-1](#) [PCR-E36FC+](#) [PCS-E28FS+](#) [PCS-XE26SLFD+](#) [PCS-XE26SLFDT+](#) [G730VID08BDC24](#) [HDMR-29-01-S-SM-TR](#) [U90B2054081210](#) [UE86K842720321](#) [38113800006](#) [DP3AR020WQ1R200](#) [Z4.102.0680.0](#) [500-1040](#) [500-1052](#) [500-1054](#) [ZP-4008-66L](#) [0709821002](#) [5554841-1](#) [U90B3054061110](#) [U65-E04-4020](#) [ZPF00000000097891](#) [557-262M2-06C](#) [747360449](#) [10099439-003C-TRLF](#) [10137239-0021LF](#) [E9320-001-01](#) [10137239-0011LF](#) [70289-001LF](#)