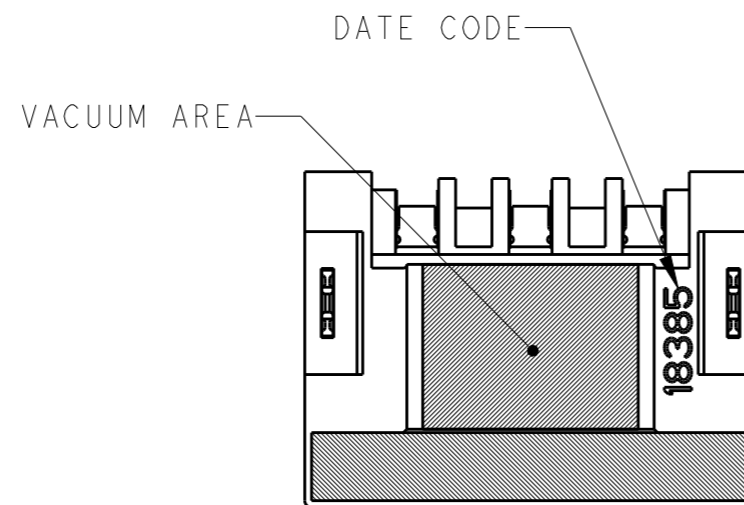


© 20 BY -

REVISIONS

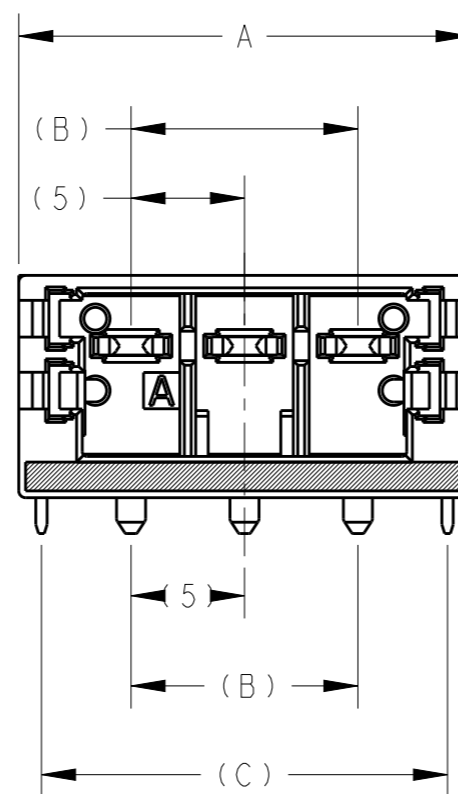
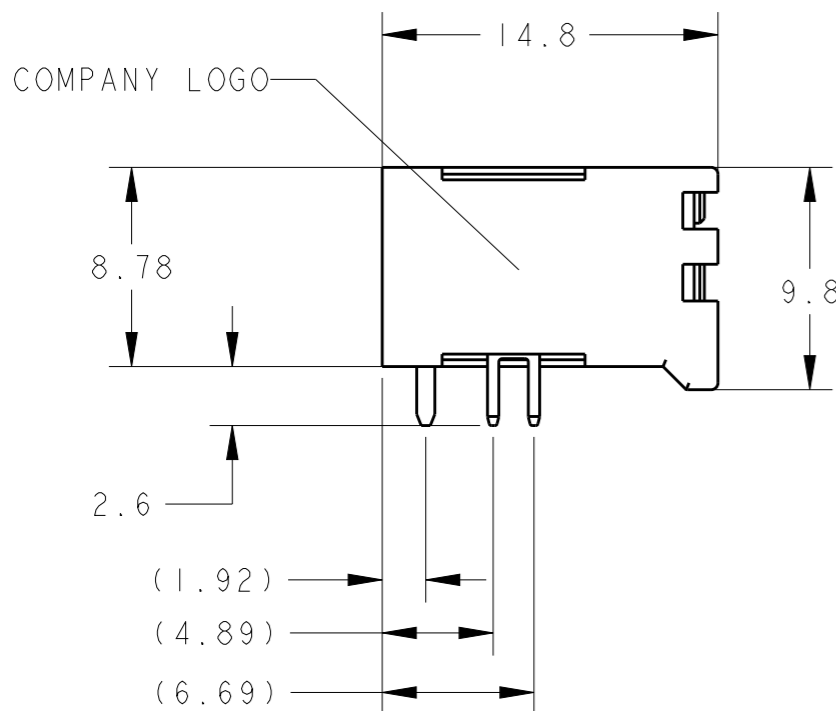
P	LTR	DESCRIPTION	DATE	DWN	APVD
	A	RELEASE PER ECR-20-003811	13MAR2020	T.S	E.1



1 MATERIAL AND FINISH
 HOUSING : LIQUID CRYSTAL PLASTIC, BLACK
 CONTACT : COPPER ALLOY, PLATING: CONTACT AREA SEE TABLE
 SOLDERING AREA TIN

2. INSTRUCTION SHEET : 408-78171

CONTACT AREA PLATING	DIM C	DIM B	DIM A	NO OF POSN	PART NUMBER
0.38um GOLD	22.9	15	24.9	4	2-2336490-4
0.38um GOLD	17.9	10	19.9	3	2-2336490-3
TIN	22.9	15	24.9	4	2336490-4
TIN	17.9	10	19.9	3	2336490-3



THIS DRAWING IS A CONTROLLED DOCUMENT.

DWN H. OSABE 15MAY2019
 CHK T. SHIMOYASU 15MAY2019
 APVD F. IKEMATSU 15MAY2019

STE TE Connectivity

NAME: HEADER ASSEMBLY, 90 DEGREE TYPE
 D2970 PUSH-IN TYPE, DYNAMIC
 FIELD INSTALLABLE CONNECTOR

DIMENSIONS: mm

TOLERANCES UNLESS OTHERWISE SPECIFIED:
 0 PLC ±0.5
 1 PLC ±0.5
 2 PLC ±0.5
 3 PLC ±
 4 PLC ±
 ANGLES ±5°

PRODUCT SPEC: 108-140223

APPLICATION SPEC: -

WEIGHT: -

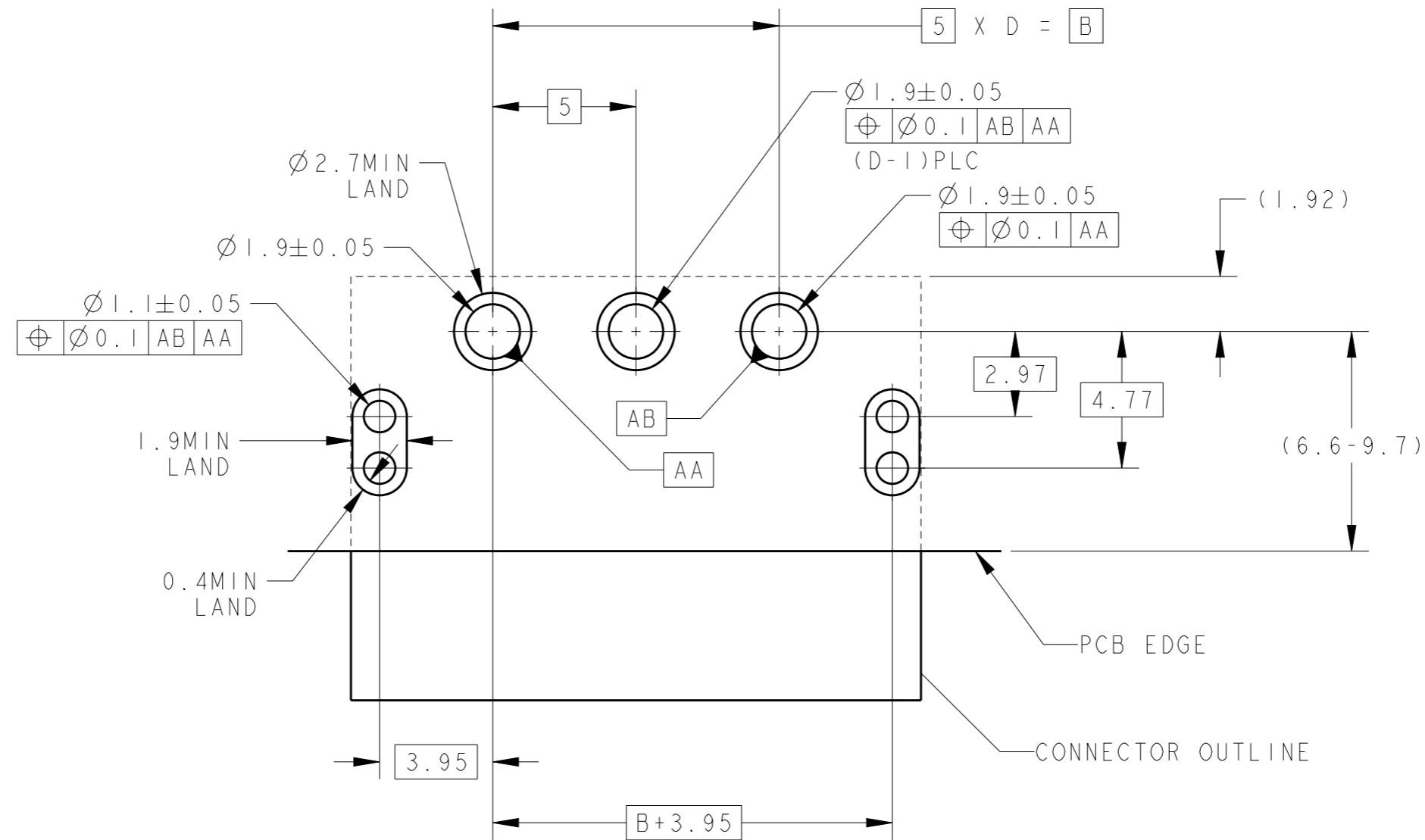
MATERIAL: -

FINISH: -

SIZE: A3 CAGE CODE: 00779 DRAWING NO: C-2336490 RESTRICTED TO: -

CUSTOMER DRAWING SCALE: 3:1 SHEET: 1 OF 2 REV: A

P	LTR	DESCRIPTION	DATE	DWN	APVD
		SEE SHEET 1			



RECOMMENDED PCB LAYOUT

THIS DRAWING IS A CONTROLLED DOCUMENT.		DWN H. OSABE 15MAY2019		
DIMENSIONS: mm		CHK T. SHIMOYASU 15MAY2019		
TOLERANCES UNLESS OTHERWISE SPECIFIED:		APVD E. IKEMATSU 15MAY2019	NAME HEADER ASSEMBLY, 90 DEGREE TYPE D2970 PUSH-IN TYPE, DYNAMIC FIELD INSTALLABLE CONNECTOR	
0 PLC ±0.5 1 PLC ±0.5 2 PLC ±0.5 3 PLC ± 4 PLC ± ANGLES ±5°		PRODUCT SPEC 108-140223	RESTRICTED TO	
MATERIAL -		FINISH -	APPLICATION SPEC -	SIZE A3
		WEIGHT -	APPLICATION SPEC -	CAGE CODE 00779
			APPLICATION SPEC -	DRAWING NO C-2336490
			CUSTOMER DRAWING	SCALE 3:1
				SHEET 2 OF 2
				REV A

X-ON Electronics

Largest Supplier of Electrical and Electronic Components

Click to view similar products for [Headers & Wire Housings](#) category:

Click to view products by [TE Connectivity](#) manufacturer:

Other Similar products are found below :

[892-18-020-10-001101](#) [58102-G61-06LF](#) [582553-1](#) [0009485154](#) [009176003701906](#) [0050291907](#) [LY20-4P-DT1-P1E-BR](#) [02.125.8002.8](#)
[609-3404](#) [61062-3](#) [61082-181009](#) [622-3653LF](#) [63453-116](#) [636-1030](#) [636-1427](#) [636-3427](#) [636-4007](#) [641938-9](#) [641991-4](#) [644827-2](#) [65817-010LF](#) [65817-015LF](#) [65863-015LF](#) [66207-023LF](#) [67095-007LF](#) [67601157](#) [68645-018](#) [68648-049](#) [70.362.1628.0](#) [70-4210](#) [70-4226B](#) [70-4853B](#) [707-5020](#) [707-5028](#) [71.350.2428.0](#) [71918-208LF](#) [71961-016LF](#) [733-134](#) [733-162](#) [754199-000](#) [760-3052](#) [787-8014-00](#) [79531-3000](#)
[FCN-360C032-B](#) [FCN-367T-T012/H](#) [FCN-723D010/2](#) [80.063.4001.1](#) [800-90-001-10-001000](#) [800-90-010-10-002000](#) [801-43-002-10-013000](#)