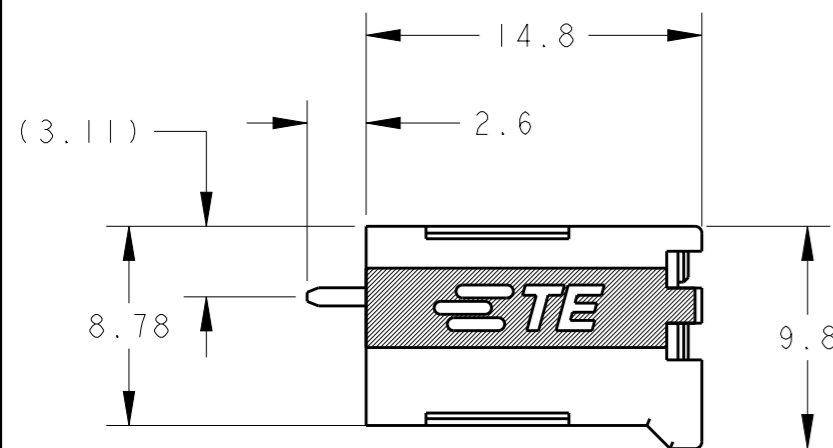
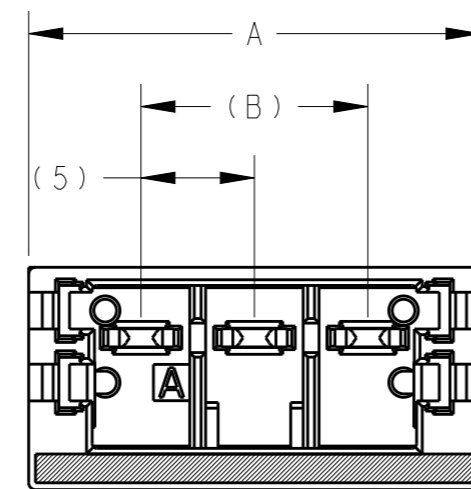
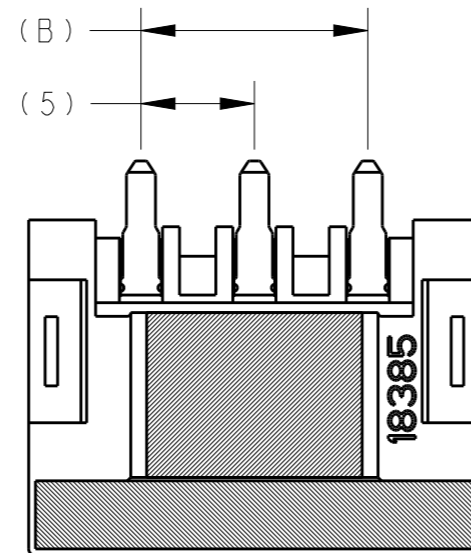


P	LTR	DESCRIPTION	DATE	DWN	APVD
	A	RELEASE	04NOV2020	T.S	E.I

1 MATERIAL AND FINISH  
 HOUSING : LIQUID CRYSTAL PLASTIC, BLACK  
 CONTACT : COPPER ALLOY, PLATING: CONTACT AREA SEE TABLE  
 SOLDERING AREA TIN  
 2. INSTRUCTION SHEET: 408-78171

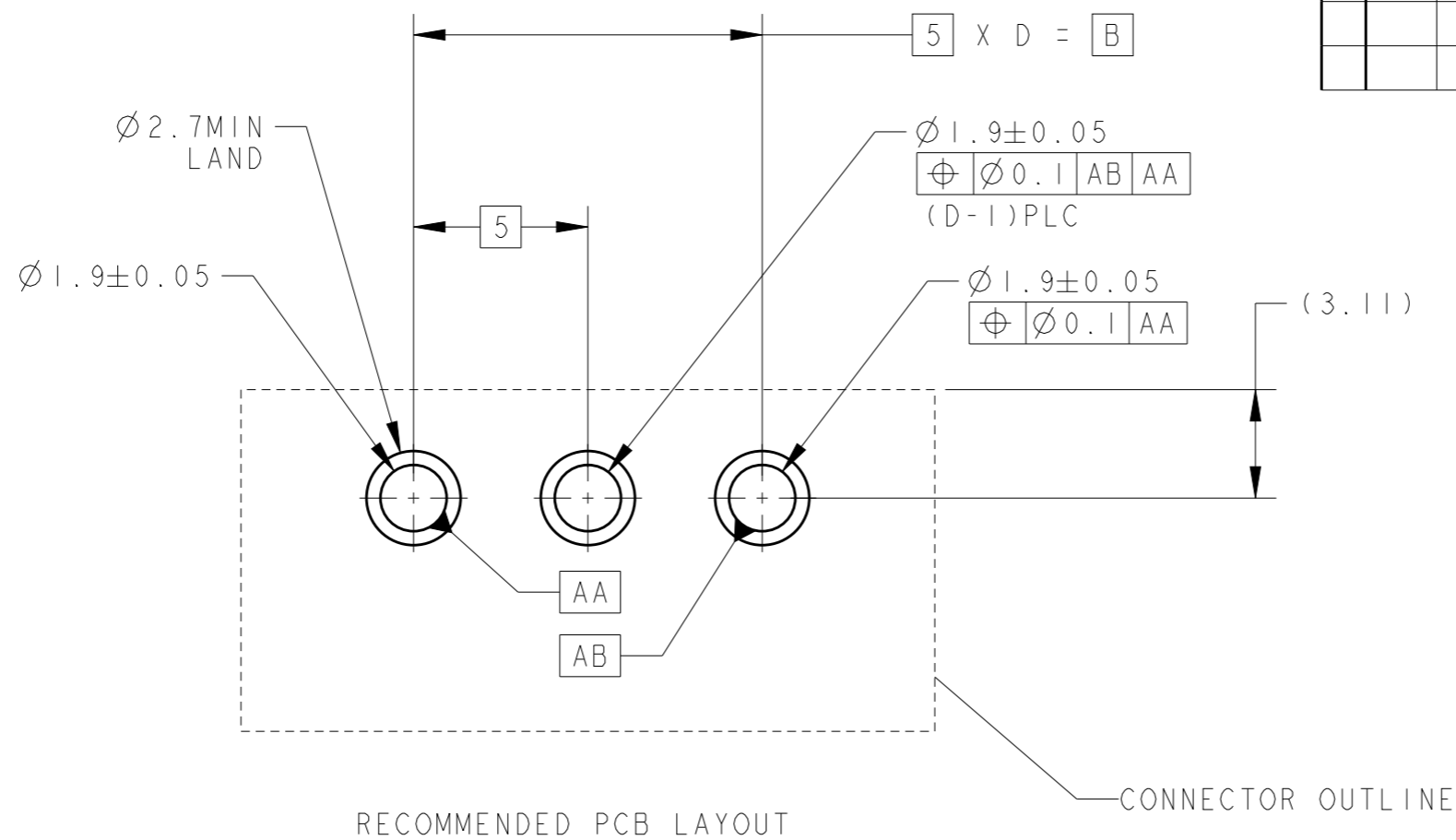


PLATING	THICKNESS	POSN	DIM A	DIM B	NO OF POSN	PART NUMBER
0.38um GOLD	3	15	24.9	4	2-2336494-4	
0.38um GOLD	2	10	19.9	3	2-2336494-3	
TIN	3	15	24.9	4	2336494-4	
TIN	2	10	19.9	3	2336494-3	

THIS DRAWING IS A CONTROLLED DOCUMENT.		DWN H. OSABE 04NOV2020	TE Connectivity	
DIMENSIONS: mm		CHK T. SHIMOYASU 04NOV2020		
TOLERANCES UNLESS OTHERWISE SPECIFIED:		APVD F. IKEMATSU 04NOV2020	NAME HEADER ASSEMBLY, 180 DEGREE TYPE D2970 PUSH-IN TYPE, DYNAMIC FIELD INSTALLABLE CONNECTOR	
0 PLC ±0.5 1 PLC ±0.5 2 PLC ±0.5 3 PLC ± 4 PLC ± ANGLES ±5°		PRODUCT SPEC 108-140223	RESTRICTED TO	
MATERIAL		APPLICATION SPEC -	SIZE A3	CAGE CODE 00779
FINISH		WEIGHT -	DRAWING NO C-2336494	REV A
		CUSTOMER DRAWING		SCALE 3:1
		SHEET 1 OF 2		REV A

REVISIONS

P	LTR	DESCRIPTION	DATE	DWN	APVD
-	-	SEE SHEET 1	-	-	-



RECOMMENDED PCB LAYOUT

CONNECTOR OUTLINE

THIS DRAWING IS A CONTROLLED DOCUMENT.

DIMENSIONS:	TOLERANCES UNLESS OTHERWISE SPECIFIED:
mm	0 PLC ±0.5
	1 PLC ±0.5
	2 PLC ±0.5
	3 PLC ±
	4 PLC ±
	ANGLES ±5°
MATERIAL	FINISH
-	-
-	-

DWN	H. OSABE	15MAY2019
CHK	T. SHIMOYASU	15MAY2019
APVD	F. IKEMATSU	15MAY2019
PRODUCT SPEC	108-140223	
APPLICATION SPEC	-	
WEIGHT	-	
CUSTOMER DRAWING		

NAME HEADER ASSEMBLY, 180 DEGREE TYPE D2970 PUSH-IN TYPE, DYNAMIC FIELD INSTALLABLE CONNECTOR			
SIZE	CAGE CODE	DRAWING NO	RESTRICTED TO
A3	00779	C-2336494	-
SCALE		SHEET	REV
3:1		2 OF 2	A

## X-ON Electronics

Largest Supplier of Electrical and Electronic Components

*Click to view similar products for [Headers & Wire Housings](#) category:*

*Click to view products by [TE Connectivity](#) manufacturer:*

Other Similar products are found below :

[892-18-020-10-001101](#) [58102-G61-06LF](#) [582553-1](#) [0009485154](#) [009176003701906](#) [0050291907](#) [LY20-4P-DT1-P1E-BR](#) [02.125.8002.8](#)  
[609-3404](#) [61062-3](#) [61082-181009](#) [622-3653LF](#) [63453-116](#) [636-1030](#) [636-1427](#) [636-3427](#) [636-4007](#) [641938-9](#) [641991-4](#) [644827-2](#) [65817-010LF](#) [65817-015LF](#) [65863-015LF](#) [66207-023LF](#) [67095-007LF](#) [67601157](#) [68645-018](#) [68648-049](#) [70.362.1628.0](#) [70-4210](#) [70-4226B](#) [70-4853B](#) [707-5020](#) [707-5028](#) [71.350.2428.0](#) [71918-208LF](#) [71961-016LF](#) [733-134](#) [733-162](#) [754199-000](#) [760-3052](#) [787-8014-00](#) [79531-3000](#)  
[FCN-360C032-B](#) [FCN-367T-T012/H](#) [FCN-723D010/2](#) [80.063.4001.1](#) [800-90-001-10-001000](#) [800-90-010-10-002000](#) [801-43-002-10-013000](#)