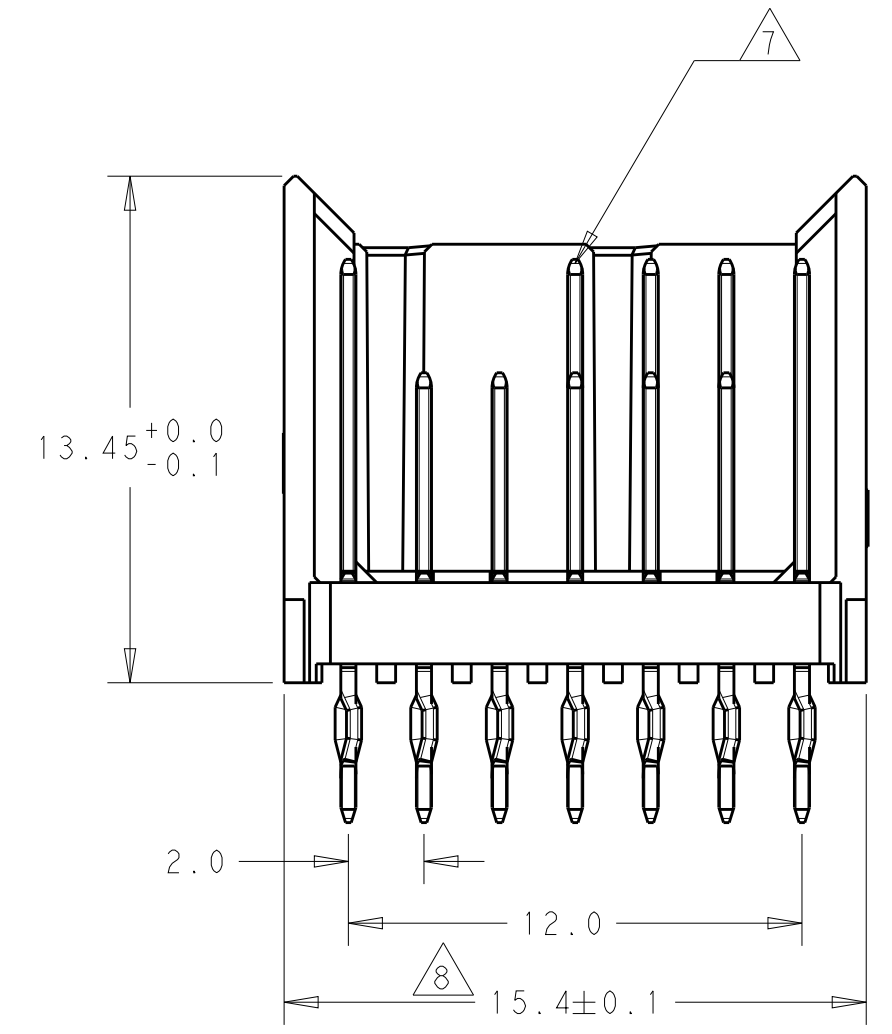
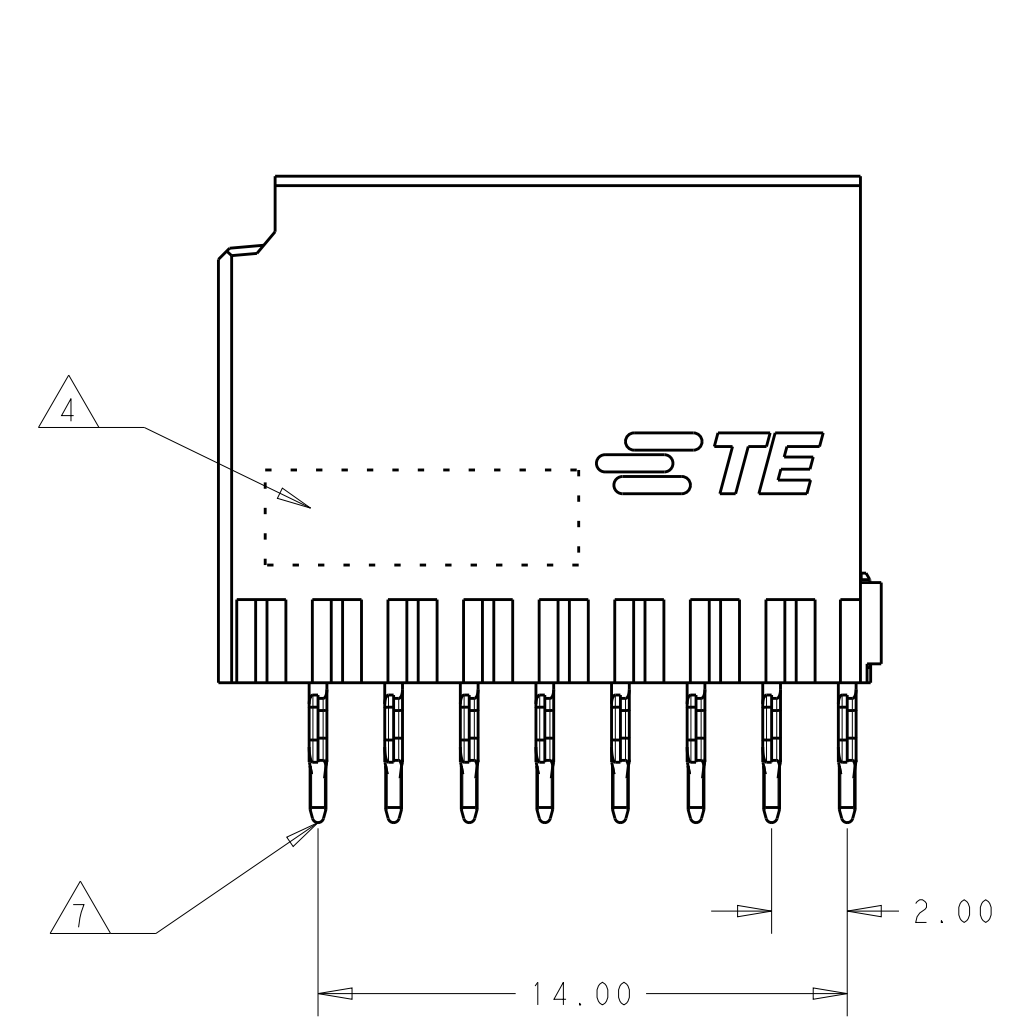
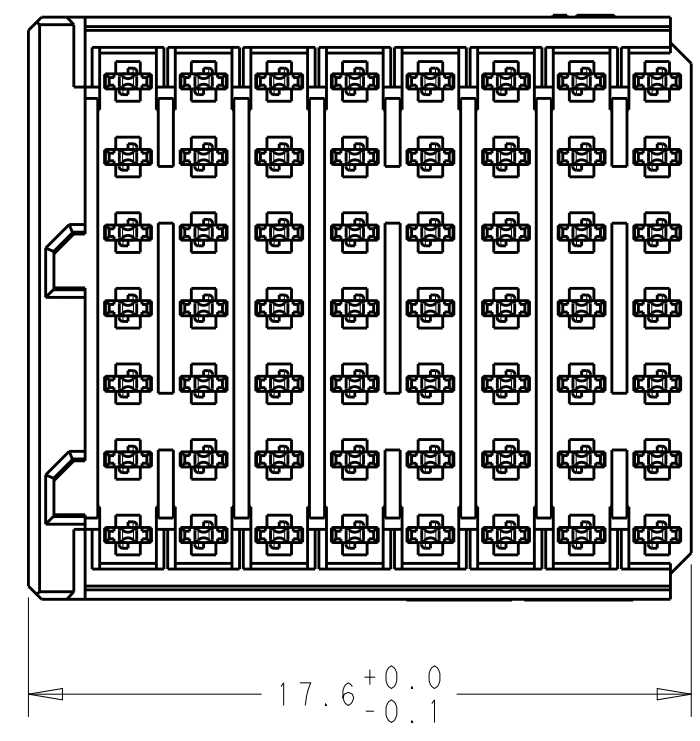
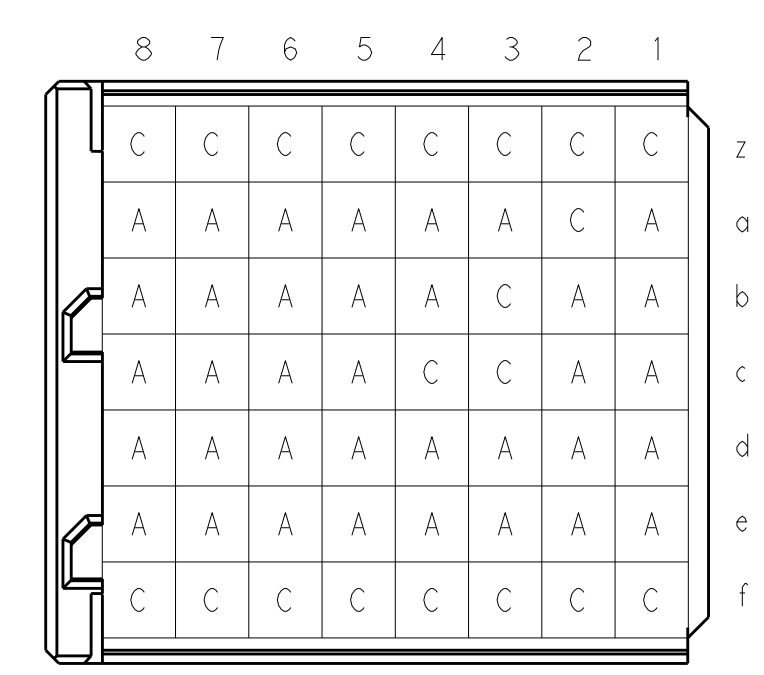


REVISIONS				
P.	LTN	DESCRIPTION	DATE	OWN APVD
	A	INITIAL RELEASE	14DEC2018	FL HL

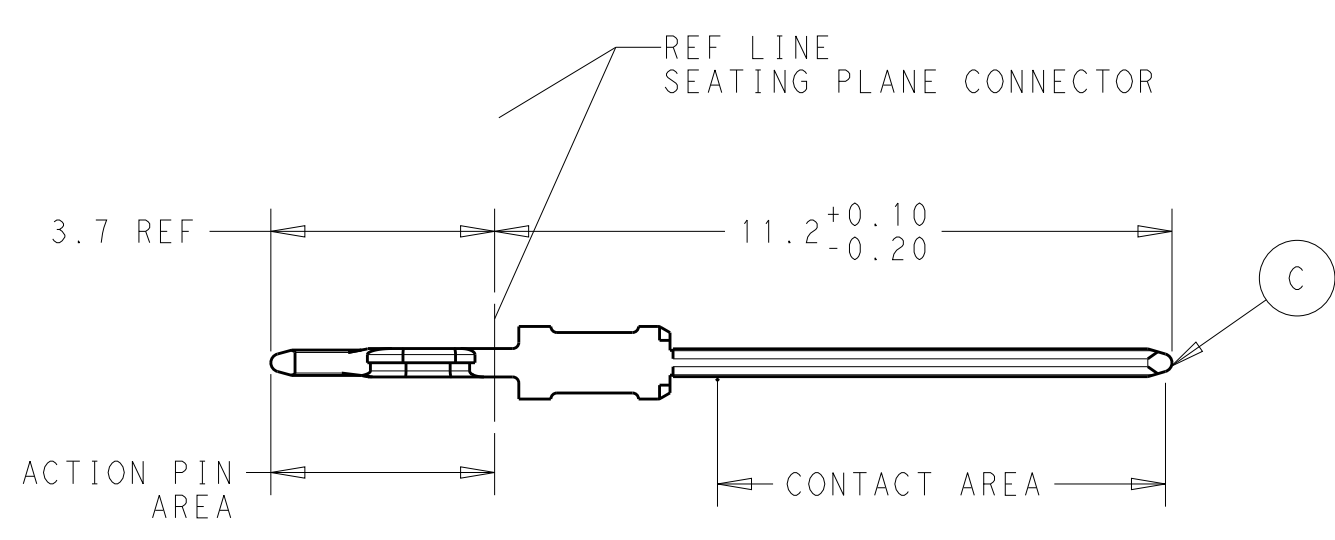
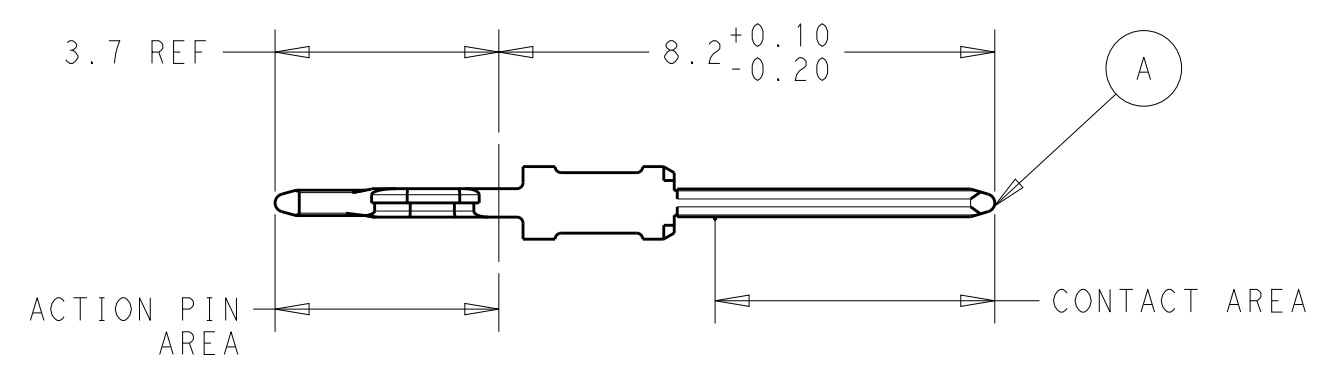
CONNECTOR ASSEMBLY EXAMPLARY LOADED  $\triangle 6$



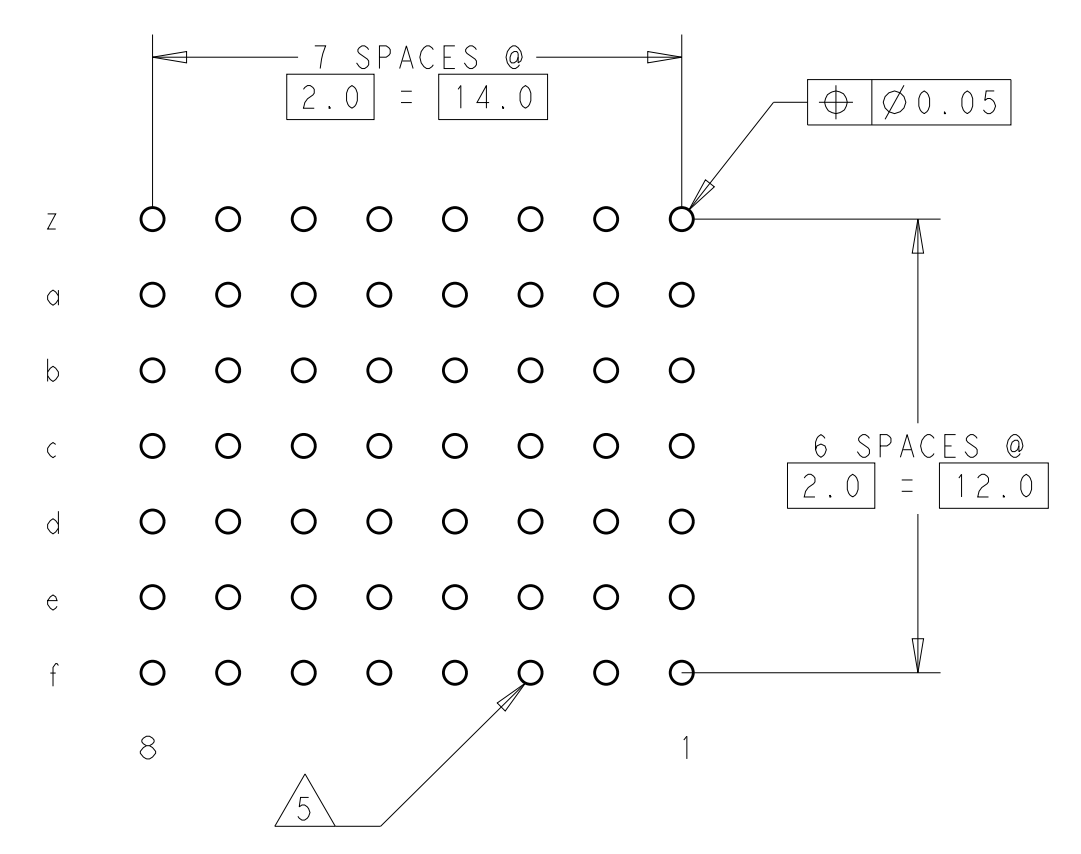
CONTACT LAYOUT



CONTACT DIMENSIONS



RECOMMENDED PCB-HOLE LAYOUT COMPONENT SIDE SHOWN



PLATED THRU HOLES PARAMETERS REFERENCE APPLICATION SPECIFICATION

- $\triangle 1$ . MATERIAL:  
CONTACT: PHOSPHOR BRONZE.  
HOUSING: GLASS-FILLED POLYESTER.
- $\triangle 2$ . GENERAL PLATING SPECIFICATION: UNDERPLATING (ENTIRE CONTACT): 1.27 $\mu$ m MIN NICKEL AND ACTION PIN: 0.5 $\mu$ m MIN TIN.  
FOR PLATING OF MATING SURFACES SEE APPLICABLE SPECIFICATION REFERENCE FOR EACH DASH NUMBER.
- $\triangle 3$ . CONFORMS TO ALL TESTING ACCORDING TO IEC 61076-4-101 PERFORMANCE LEVEL 2.
- $\triangle 4$ . CONNECTOR MARKED WITH PART NUMBER AND DATE CODE. ADDITIONAL CHARACTERS OR MARKINGS, AS WELL AS THE LOCATION OF THE MARKINGS, MAY BE ADDED FOR TRACEABILITY BASED UPON MANUFACTURERS DISCRETION.
- $\triangle 5$ . PLATED-THROUGH HOLES AT 2x2mm SQUARE GRID PATTERN DEFINED BY CONTACT LAYOUT.
- $\triangle 6$ . FOR ACTUAL PIN LOADING SEE "CONTACT LAYOUT".
- $\triangle 7$ . FOR ACTUAL PIN DIMENSIONS SEE "CONTACT DIMENSIONS".
- $\triangle 8$ . TO BE MEASURED AT BOTTOM OF SHROUD.

$\triangle 2$	$\triangle 3$	2336514-1
FINISH		PART NUMBER

THIS DRAWING IS A CONTROLLED DOCUMENT.		OWN: FRED LIU 15MAY2018	TE Connectivity	
DIMENSIONS: mm		CHK: ALEX SHOAL 15MAY2018	NAME: MALE ASSEMBLY, Z-PACK 2mm HM, 8 COLUMN	
TOLERANCES UNLESS OTHERWISE SPECIFIED:		APVD: HOPF LIU 15MAY2018		
0 PLC ±0.2		PRODUCT SPEC: 108-60123	SIZE: A100779 C=2336514	
1 PLC ±0.2		APPLICATION SPEC: -		
2 PLC ±0.2		WEIGHT: -	RESTRICTED TO: -	
3 PLC ±0.2		ANGLES: 114-19029		
4 PLC ±0.2		FINISH: SEE TABLE	SCALE: 4:1 SHEET 1 OF 1 REV A	
MATERIAL: -		CUSTOMER DRAWING		

## X-ON Electronics

Largest Supplier of Electrical and Electronic Components

*Click to view similar products for [Hard Metric Connectors](#) category:*

*Click to view products by [TE Connectivity](#) manufacturer:*

Other Similar products are found below :

[6345127-1](#) [646916-9](#) [6469658-1](#) [973108](#) [1-2000713-0](#) [1-2000713-2](#) [1-2000713-3](#) [1645343-1](#) [1645456-1](#) [1645594-1](#) [1645595-1](#) [1645601-1](#)  
[1934822-1](#) [278071110010833](#) [1645179-1](#) [1645245-1](#) [1645457-1](#) [1645525-1](#) [1645570-1](#) [1645596-1](#) [17041102202](#) [1857470-1](#) [1934275-1](#)  
[1934289-1](#) [1934759-1](#) [2000673-1](#) [2170292-2](#) [2-536642-6](#) [3-106015-1](#) [352188-1](#) [352629-1](#) [5120823-1](#) [5120899-1](#) [3-100145-0](#) [3-100147-0](#)  
[3-100669-1](#) [3-106081-0](#) [HM2DK2368PLF](#) [5646530-1](#) [3-352049-0](#) [3-352069-0](#) [3-352115-0](#) [3-352638-0](#) [352189-1](#) [3-646357-0](#) [3-646487-0](#)  
[3-646513-0](#) [104108](#) [106726-1](#) [114352](#)