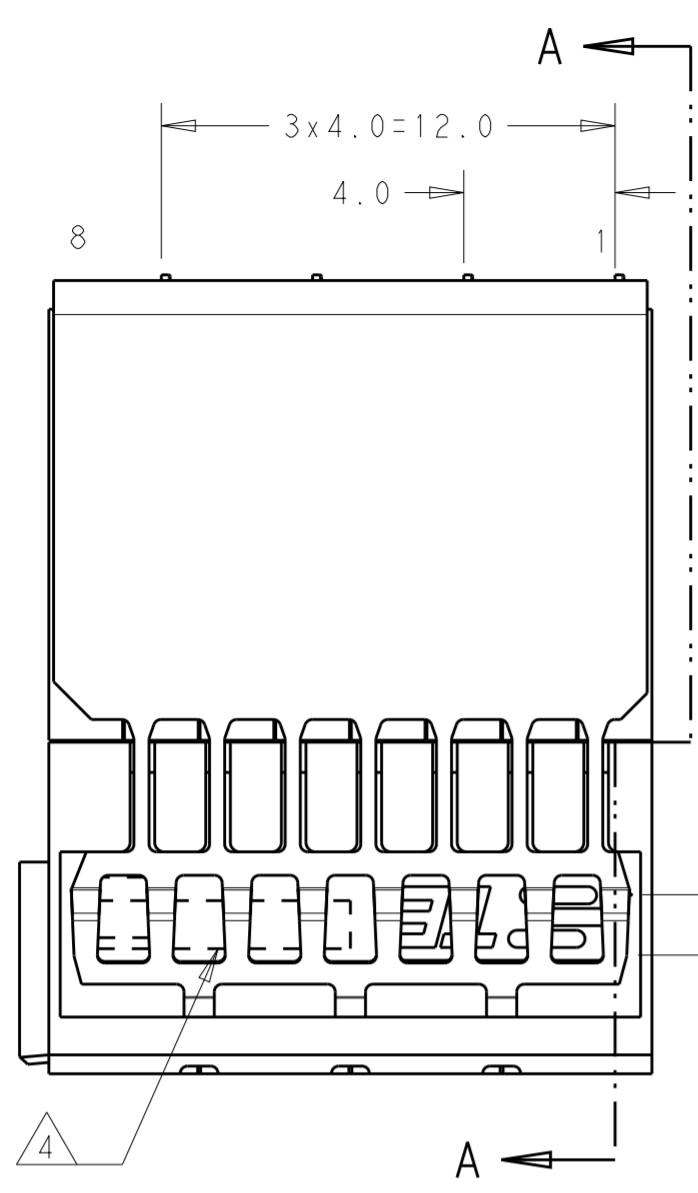
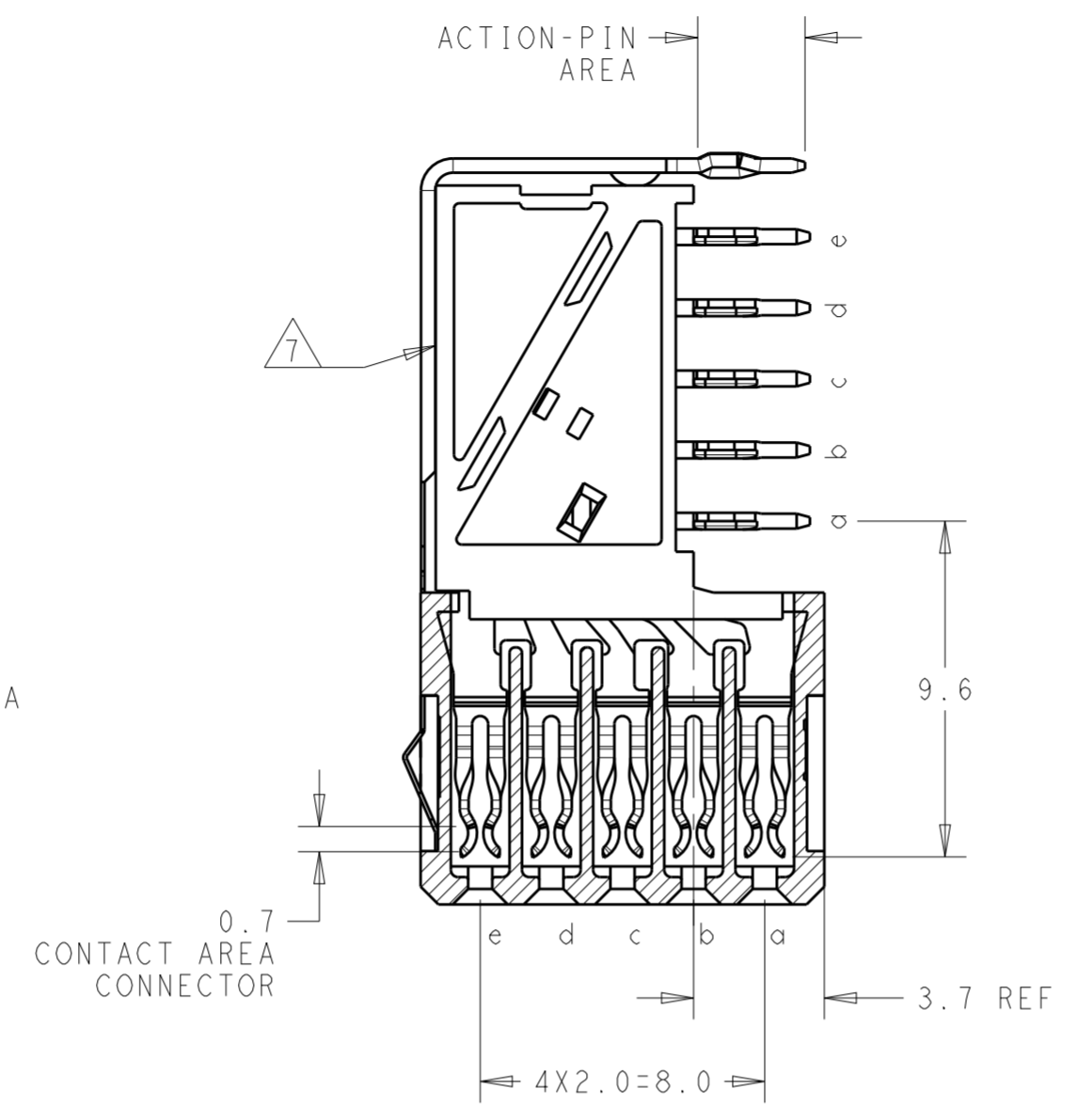


THIS DRAWING IS UNPUBLISHED. RELEASED FOR PUBLICATION 20
 © COPYRIGHT 20 BY - ALL RIGHTS RESERVED.

REVISIONS				
P	LTR	DESCRIPTION	DATE	DWN APVD
A		INITIAL RELEASE	13DEC2018	FL HL

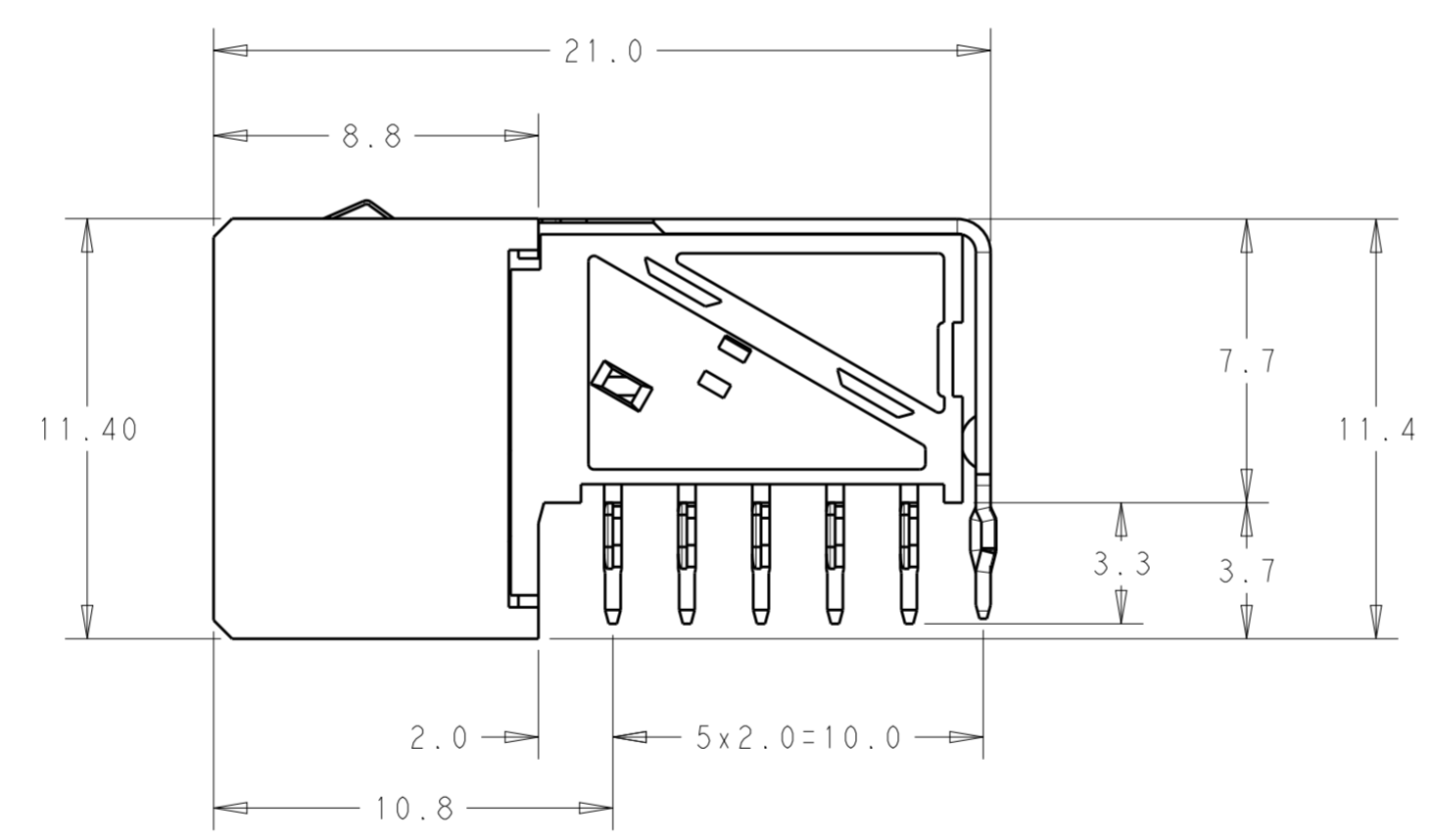
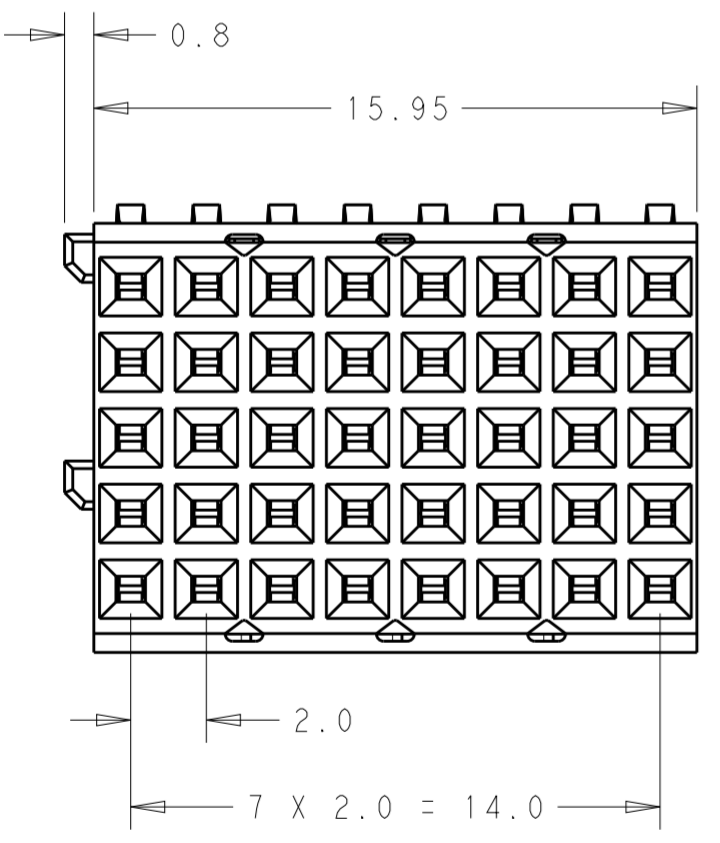


SECTION A-A

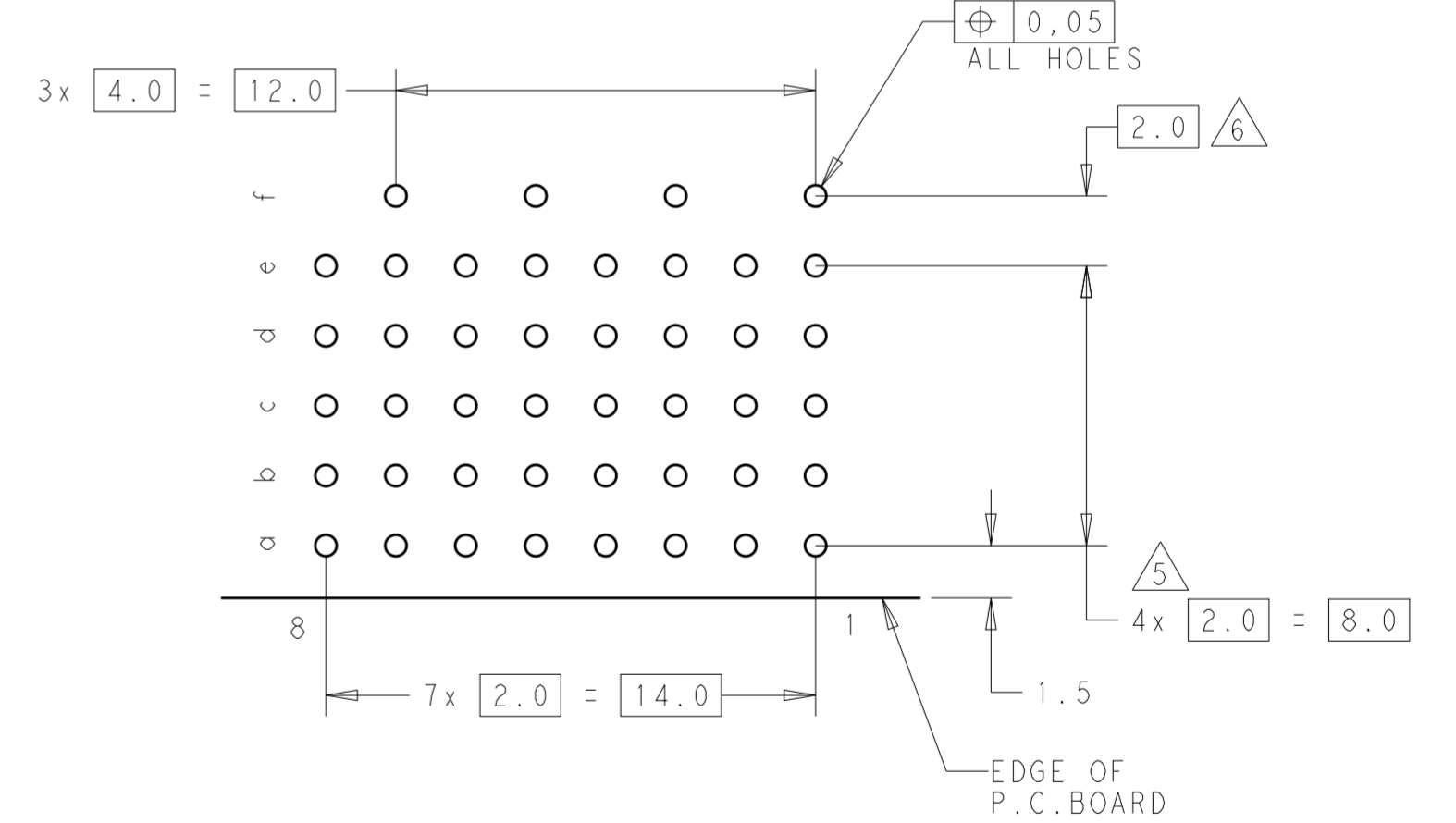


NOTES:

- 1 MATERIAL CONTACTS; PHOSPHORBRONZE
MATERIAL SHIELD ; PHOSPHORBRONZE
MATERIAL HOUSING; GLASSFILLED POLYESTER (GRAY)
- 2 GENERAL PLATING SPECIFICATION: UNDERPLATING (ENTIRE CONTACT):
1,27µm NICKEL MIN. AND ACTION PIN: 0,5µm TIN MIN.
FOR PLATING OF MATING SURFACES SEE APPLICABLE
SPECIFICATION REFERENCE FOR EACH DASH NUMBER.
- 3 CONFORMS TO ALL TESTING ACCORDING IEC 61076-4-101 PERFORMANCE LEVEL 2.
- 4 ASSEMBLY PRINTED WITH P/N AND DATECODE
THE MARKING CAN APPEAR ON THE FRONT SIDE OR BACK SIDE.
- 5 HOLE PATTERN FOR FEMALE CONNECTOR
PLATED-THROUGH HOLES AT 2x2mm SQUARE GRID
- 6 ROW "f" 4 PLATED THROUGH HOLES FOR UPPERSHIELD
- 7 SHIELD MOUNTED ON CONNECTOR WITH DOUBLE SIDED
ADHESIVE TAPE OR ADHESIVE



COMPONENT SIDE AS SHOWN
RECOMMENDED PCB-HOLE LAY-OUT



THIS DRAWING IS A CONTROLLED DOCUMENT.		DWN FRED LIU 17MAY2018
DIMENSIONS: mm		CHK ALEX SHOAL 17MAY2018
TOLERANCES UNLESS OTHERWISE SPECIFIED:		APVD HOPE LIU 17MAY2018
0 PLC	±	PRODUCT SPEC
1 PLC	±0.2	108-60123
2 PLC	±0.2	APPLICATION SPEC
3 PLC	±0.2	114-19029
4 PLC	±	WEIGHT -
ANGLES	±	CUSTOMER DRAWING
FINISH	-	

2 3	1	2336682-1
FINISH	MATERIAL	PART NUMBER
STE TE Connectivity		
NAME Z-PACK 2mm HM 8 COLUMNS PRE-SHIELDED RECEPTACLE		
SIZE	CAGE CODE	DRAWING NO
A2	00779	C-2336682
RESTRICTED TO	SCALE	SHEET
-	4:1	1 OF 1
REV	A	

X-ON Electronics

Largest Supplier of Electrical and Electronic Components

Click to view similar products for [Hard Metric Connectors](#) category:

Click to view products by [TE Connectivity](#) manufacturer:

Other Similar products are found below :

[6345127-1](#) [646916-9](#) [6469658-1](#) [973108](#) [1-2000713-0](#) [1-2000713-2](#) [1-2000713-3](#) [1645343-1](#) [1645456-1](#) [1645594-1](#) [1645595-1](#) [1645601-1](#)
[1934822-1](#) [278071110010833](#) [1645179-1](#) [1645245-1](#) [1645457-1](#) [1645525-1](#) [1645570-1](#) [1645596-1](#) [17041102202](#) [1857470-1](#) [1934275-1](#)
[1934289-1](#) [1934759-1](#) [2000673-1](#) [2170292-2](#) [2-536642-6](#) [3-106015-1](#) [352188-1](#) [352629-1](#) [5120823-1](#) [5120899-1](#) [3-100145-0](#) [3-100147-0](#)
[3-100669-1](#) [3-106081-0](#) [HM2DK2368PLF](#) [5646530-1](#) [3-352049-0](#) [3-352069-0](#) [3-352115-0](#) [3-352638-0](#) [352189-1](#) [3-646357-0](#) [3-646487-0](#)
[3-646513-0](#) [104108](#) [106726-1](#) [114352](#)