

4

3

2

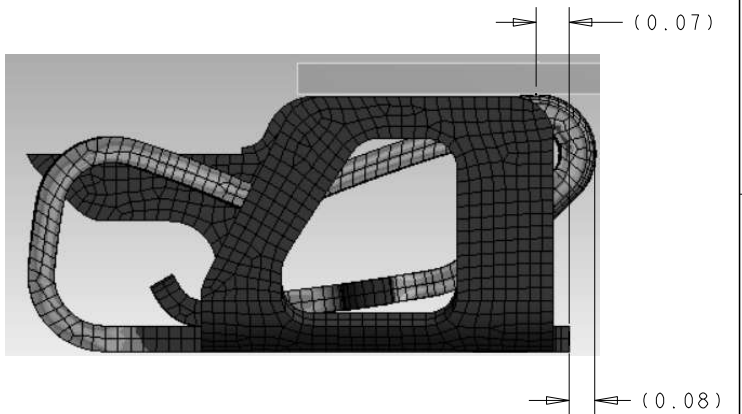
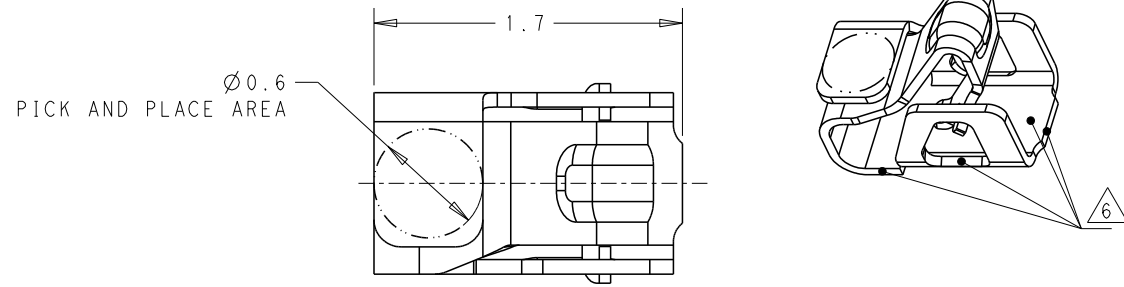
1

THIS DRAWING IS UNPUBLISHED. RELEASED FOR PUBLICATION 20
 (C) COPYRIGHT 20 BY - ALL RIGHTS RESERVED.

REVISIONS				
P	LTR	DESCRIPTION	DATE	DWN APVD
	A	FIRST RELEASED	30MAY2018	J. J. W. H.

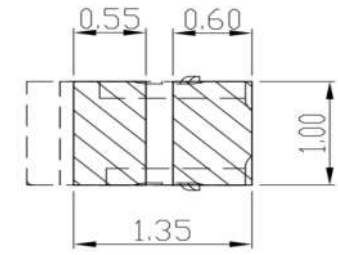
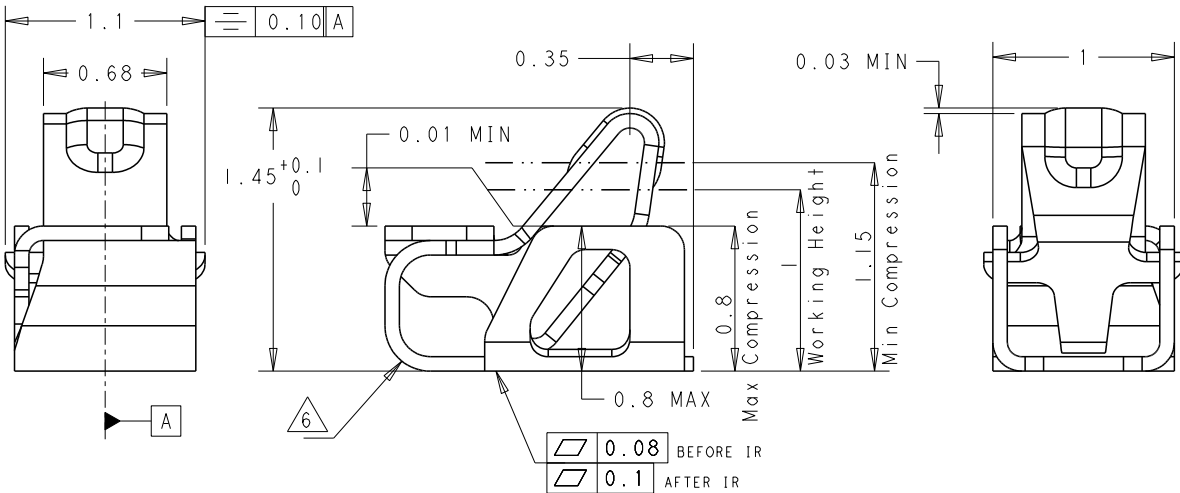
D

D



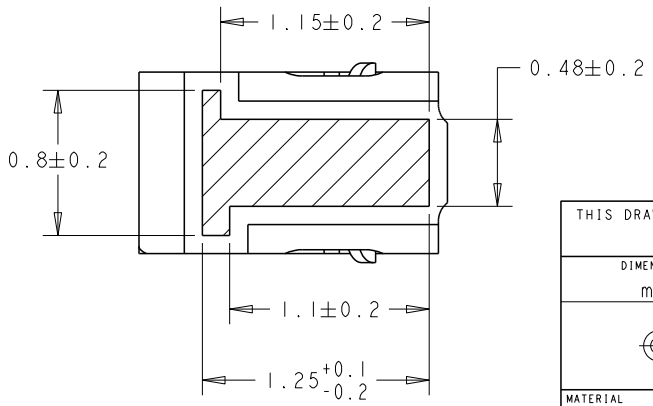
C

C



B

B



RECOMMENDED P.C.B LAYOUT TOLERANCE ±0.05

- PART NUMBER: 2336713-2.
- MATERIAL: SUS301 K1500, THICKNESS=0.08mm.
- FINISH : 2.0-7.6um NICKEL UNDERLAYER ALL OVER .
0.25um MIN. GOLD PLATING ON CONTACT AREA .
0.075-0.6um GOLD PLATING ON SOLDER AREA .
- NORMAL FORCE: 0.5N MIN(INITIAL) AT WORKING RANGE .
0.4N MIN AFTER 1500CYCLES DURABILITY .
- WORKING RANGE: 0.80mm ~ 1.15 mm
- 6 Ni BARRIER AREA
- RATED CURRENT 1.5A, RATED VOLTAGE 10V DC.
- CONTACT RESISTANCE: 30 milliohm MAX INTIAL.
- OPERATION TEMPERATURE: -40-85 DEGREES.

A

A

THIS DRAWING IS A CONTROLLED DOCUMENT.		DWN JONE JI 14MAY2018		
		CHK WENKE HE 14MAY2018		
		APVD WFNKE HE 14MAY2018	NAME	
DIMENSIONS: mm		PRODUCT SPEC		SPRING FINGER 1.45H
TOLERANCES UNLESS OTHERWISE SPECIFIED:		APPLICATION SPEC		SIZE CAGE CODE DRAWING NO RESTRICTED TO
±0.1		-		A3 00779 C=2336713
0 PLC ±		WEIGHT		SCALE SHEET OF REV
1 PLC ±0.1		-		36:1 1 2 A
2 PLC ±0.01		CUSTOMER DRAWING		
3 PLC ±0.001				
4 PLC ±0.0001				
ANGLES ±				
MATERIAL				
-				
FINISH				
-				

4

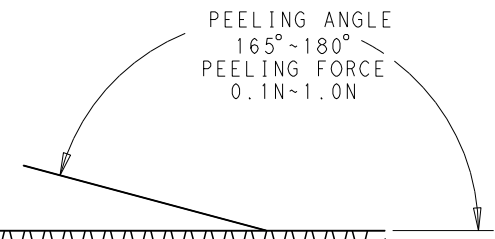
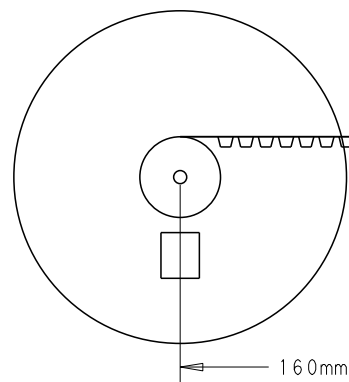
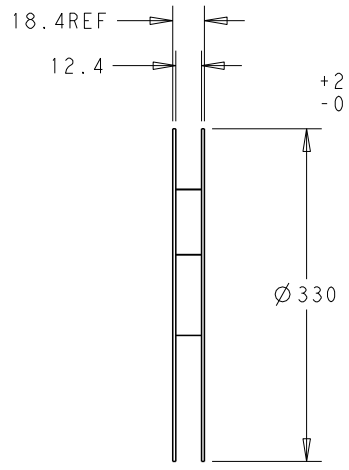
3

2

1

THIS DRAWING IS UNPUBLISHED. RELEASED FOR PUBLICATION 20
 © COPYRIGHT 20 BY - ALL RIGHTS RESERVED.

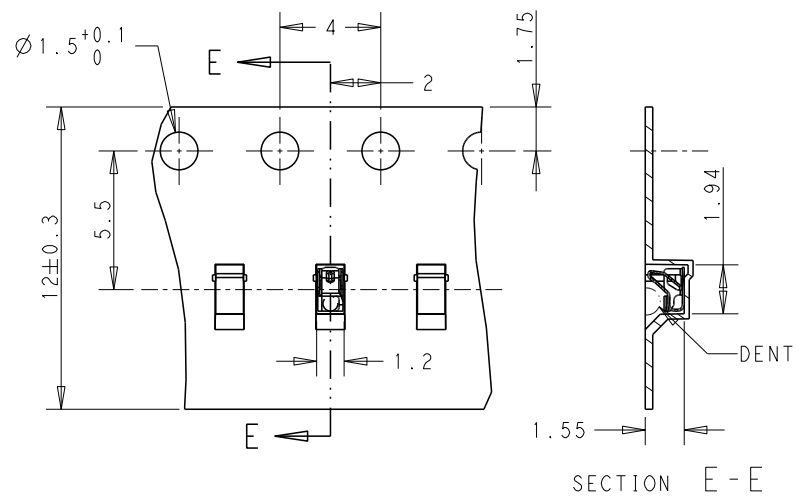
REVISIONS				
P	LTR	DESCRIPTION	DATE	APVD



WITH PRODUCT CHARGE
 8000 EA/REEL
 NO EMPTY POCKETS
 ARE PERMITTED

300MIN COVER TAPE
 100mm MIN WITHOUT CHARGE

➔ DIRECTION OF TOP OF REEL



NOTE:
 1. PACKAGE SPEC EIA-481-D

THIS DRAWING IS A CONTROLLED DOCUMENT.		DWN	14MAY2018		STE TE Connectivity
		CHK	JONE JI 14MAY2018		
		APVD	WENKE HF 14MAY2018		
		PRODUCT SPEC	WENKE HF		
DIMENSIONS: mm		TOLERANCES UNLESS OTHERWISE SPECIFIED:		NAME	
		±		SPRING FINGER 1.45H	
		0 PLC ±		SIZE	
		1 PLC ±0.1		CAGE CODE	
		2 PLC ±0.01		DRAWING NO	
		3 PLC ±0.001		RESTRICTED TO	
4 PLC ±0.0001		APPLICATION SPEC		A300779C=2336713	
MATERIAL		FINISH		WEIGHT	
-		-		-	
		CUSTOMER DRAWING		SCALE 36:1 SHEET 2 OF 2 REV A	

X-ON Electronics

Largest Supplier of Electrical and Electronic Components

Click to view similar products for [EMI Gaskets, Sheets, Absorbers & Shielding](#) category:

Click to view products by [TE Connectivity](#) manufacturer:

Other Similar products are found below :

[8101010140](#) [8563-0090-89](#) [1194-7.7X10](#) [1245-34"X18YD](#) [1267](#) [1345-3/8x18yrd](#) [1380-2"X8"](#) [1554907-1](#) [2320002000](#) [2320014700](#)
[SG293037DS](#) [ST005PCN50](#) [55005107](#) [38M4040AA0606](#) [46J5N02020.NN00](#) [1125-8X10](#) [1126X1"](#) [1170-3/4X18YDS](#) [1170-7.7x10](#) [1183-12"X18YD](#) [6-34T-BD-0.315](#) [SG125187D-24](#) [SG125250R-24](#) [SG187375R-24](#) [SG284050DS](#) [8402010540](#) [KIT TECH CLIP](#) [1194](#) [10-40450-28S](#) [1245](#) [1267-1/2"x18yd](#) [46J8501020.NN00](#) [1170-1/4"x18yd](#) [AL-36FR-1x54.5](#) [3013310A](#) [1194X1"](#) [3020604](#) [3021302](#) [3031313](#) [260709](#)
[3021310](#) [6-34UT-070-BD-16](#) [303076048](#) [46J5N03020.NN00](#) [30206025](#) [30395641](#) [3030403](#) [3690103020](#) [HNY-LT15CU4241](#) [1170-3/8"x18yd](#)