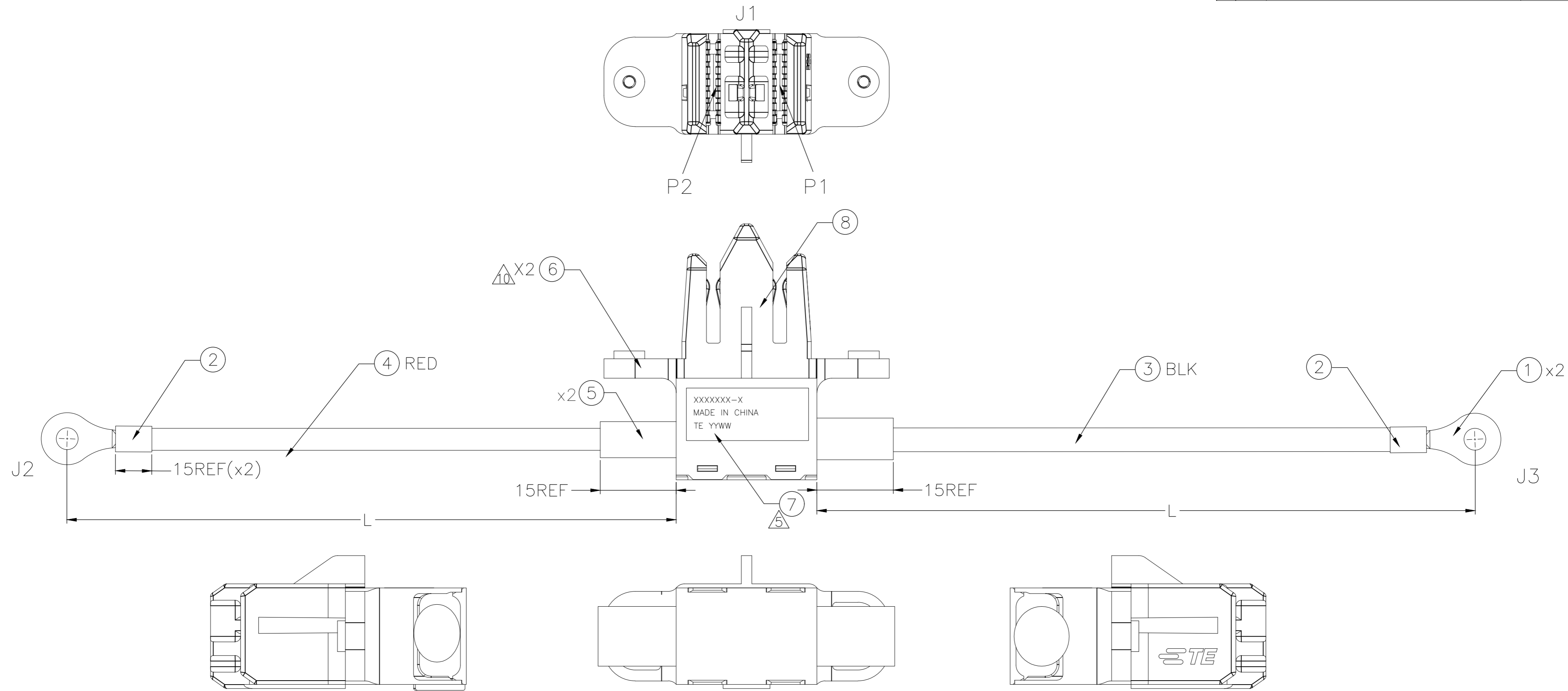


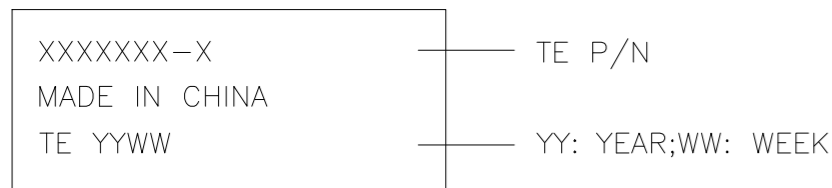
THIS DRAWING IS UNPUBLISHED. RELEASED FOR PUBLICATION
 © COPYRIGHT - By - ALL RIGHTS RESERVED.

| REVISIONS | | | | |
|-----------|-----|---------------------------|-----------|-------|
| P | LTR | DESCRIPTION | DATE | APVD |
| A | | REVISED PER ECO-19-006961 | 09MAY2019 | AP AC |



NOTES:

- 1. 100% ELECTRICAL TEST FOR CONTINUITY, OPENS AND SHORTS.
- 2. THE MATED BUS-BAR SHOULD HAVE SURFACE ROUGHNESS Ra 1.6um MAX. SHOULD HAVE PLATING 3um MIN. SILVER IN CONTACT AREA, AND 1.27um MIN. Ni OVERALL.
- 3. SILVER PLATING CONTACT MAY DISCOLOR IN AIR, BUT NO PERFORMANCE ISSUE
- 4. LOW HALOGEN REQUEST: Br<900ppm, Cl<900ppm, Br+Cl<1500ppm PER HOMOGENEOUS MATERIAL
- 5. LABEL CONTENT AS SHOWN



- 6. WIRE ALLOWABLE CURRENT: 75A FOR 6AWG
- 7. OPERATING TEMPERATURE: -20C~80C
- 8. FLAMMABILITY: CONNECTOR MEET UL 94V-0, WIRE MEET VW-1
- 9. THE CABLE ASSEMBLY SHOULD BE UL AND RoHS2(2011/65/EU) COMPLIANT.
- 10. M3 NUT WITHSTAND 44N min. PUSH OUT FORCE IN HOUSING.

| WIRING CHART | | |
|--------------|----|-------|
| FROM | TO | WIRE |
| J1-P1 | J3 | BLACK |
| J1-P2 | J2 | RED |

| | | |
|-----------|--------|-------------------|
| 2337275-2 | 100±10 | NA |
| 2337275-1 | 250±10 | NA |
| TE P/N | L | CUSTOMER P/N,REV. |

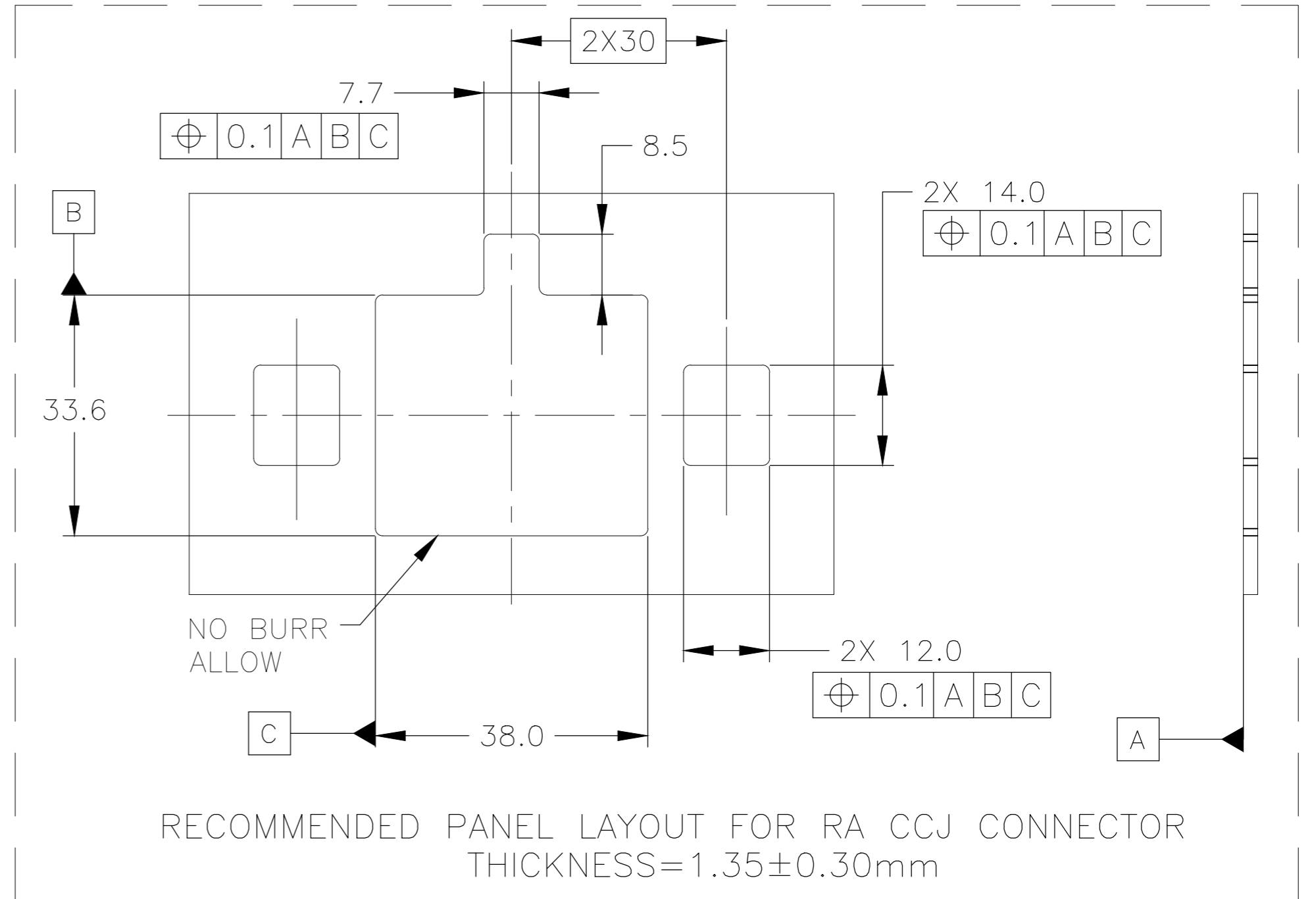
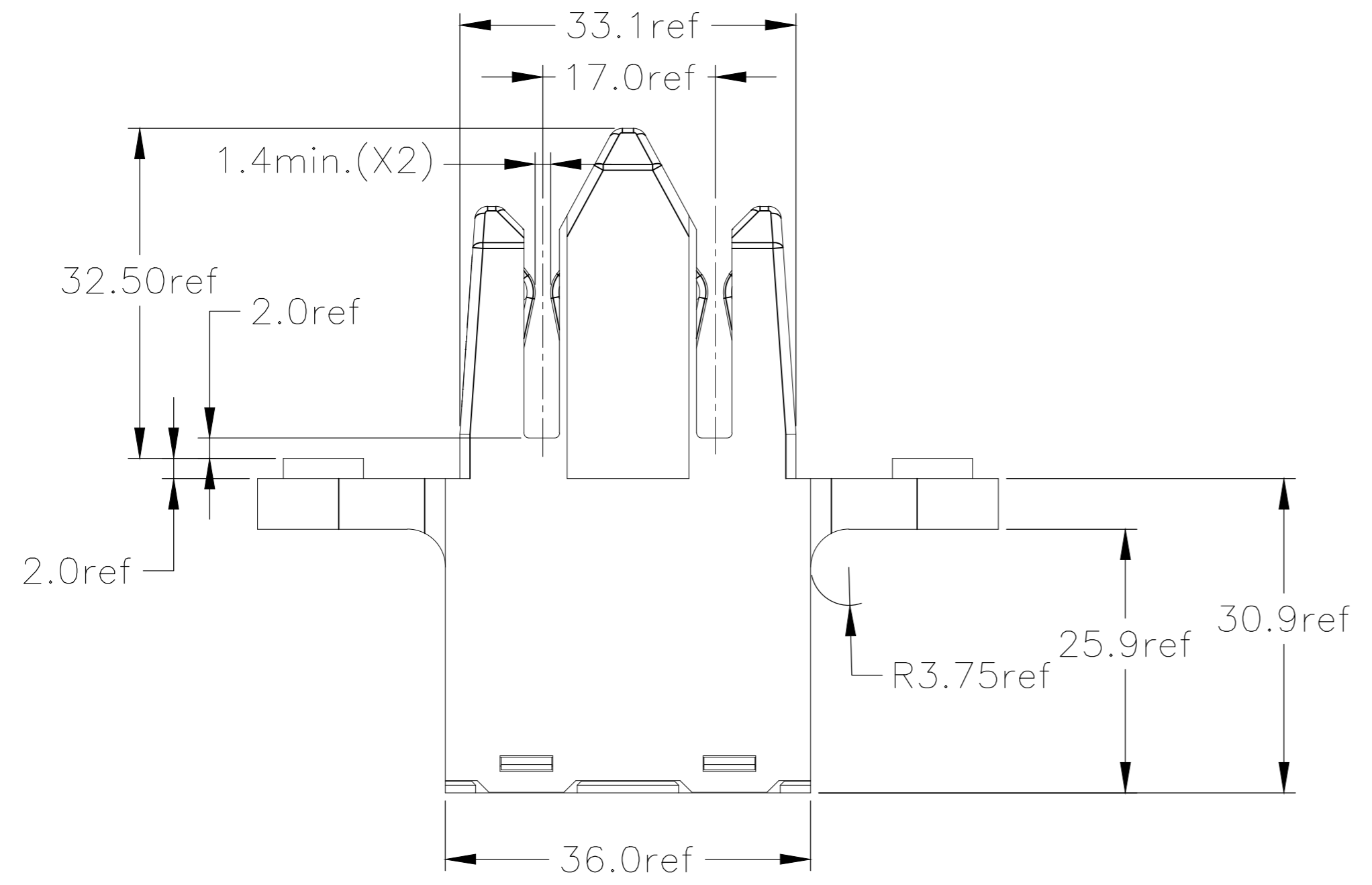
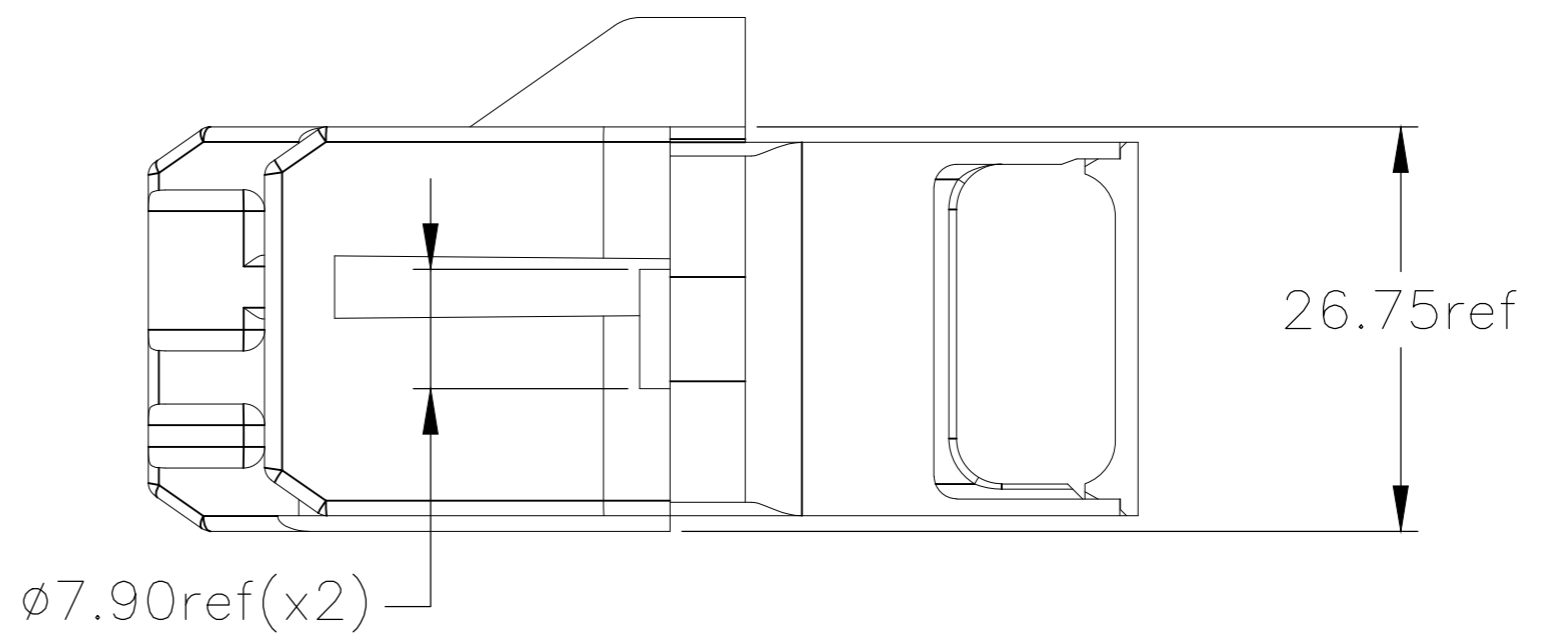
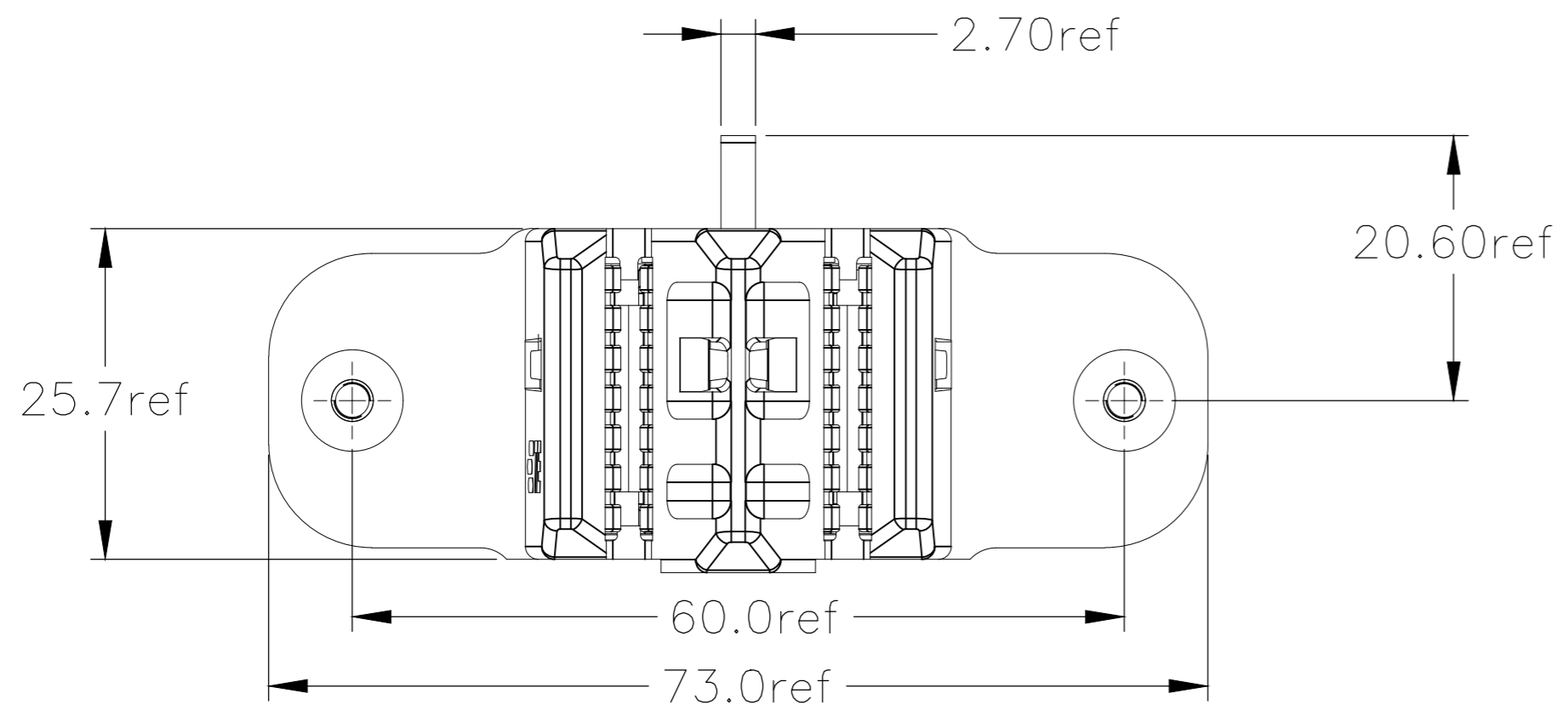
| QTY | PC | DESCRIPTION | ITEM |
|-----|-----|-------------------------------|------|
| 1 | PC | RA CCJ CONNECTOR TE 2326688-1 | 8 |
| 1 | PC | LABEL | 7 |
| 2 | PC | M3 NUT | 6 |
| AR | MR | HEAT SHRINK TUBE, BLACK | 5 |
| AR | MR | UL WIRE 6AWG RED | 4 |
| AR | MR | UL WIRE 6AWG BLACK | 3 |
| AR | MR | HEAT SHRINK TUBE, BLACK | 2 |
| 2 | PC | R-TERMINAL 6AWG M8 | 1 |
| -1 | U/M | DESCRIPTION | ITEM |

| DIMENSIONS: | | TOLERANCES UNLESS OTHERWISE SPECIFIED: | | APVD | | NAME | |
|-------------|--|--|--------|------------------|-----------|----------------------------------|---------------|
| mm | | 0 PLC | ± - | ADAM CHEN | 24MAY2018 | TE Connectivity | |
| | | 1 PLC | ± - | CHK | - | Cable AssY, RA CCJ TO R TERMINAL | |
| | | 2 PLC | ± 0.25 | DAVID ZHANG | 24MAY2018 | - | |
| | | 3 PLC | ± - | PRODUCT SPEC | | - | |
| | | 4 PLC | ± - | APPLICATION SPEC | | - | |
| | | ANGLES | ± - | 108-152035 | | SIZE | CAGE CODE |
| | | | | 114-152042 | | A2 | 00779 |
| MATERIAL | | FINISH | | WEIGHT | 0 | DRAWING NO | RESTRICTED TO |
| | | | | CUSTOMER DRAWING | | C=2337275 | - |
| | | | | | | SCALE | SHEET |
| | | | | | | N.T.S | 1 of 2 |
| | | | | | | | REV |
| | | | | | | | A |

PRODUCT AND PROCESSING MUST MEET REQUIREMENTS OF TE CONNECTIVITY ENVIRONMENTAL STANDARD TEC-138-702

THIS DRAWING IS UNPUBLISHED. RELEASED FOR PUBLICATION
 © COPYRIGHT - By - ALL RIGHTS RESERVED.

| REVISIONS | | | | | |
|-----------|-----|-------------|------|-----|------|
| P | LTR | DESCRIPTION | DATE | DWN | APVD |
| - | - | SEE SHEET 1 | - | - | - |



RA CCJ CONNECTOR PROFILE FOR REFERENCE

| | | | | | |
|--|--|--|--------------------|--------------------------|--------------------|
| THIS DRAWING IS A CONTROLLED DOCUMENT. | | DWN ADAM CHEN 24MAY2018 | TE Connectivity | | |
| DIMENSIONS: mm | | CHK - APVD DAVID ZHANG 24MAY2018 | | | |
| TOLERANCES UNLESS OTHERWISE SPECIFIED: | | PRODUCT SPEC 108-152035 | SIZE A2 | | |
| 0 PLC ± - 1 PLC ± - 2 PLC ± 0.25 3 PLC ± - 4 PLC ± - ANGLES ± - | | APPLICATION SPEC 114-152042 | CAGE CODE 00779 | DRAWING NO. C=2337275 | RESTRICTED TO - |
| MATERIAL - | | FINISH - | WEIGHT 0 | SCALE N.T.S. | SHEET 2 OF 2 |
| CUSTOMER DRAWING | | | REV A | | |

2337275

X-ON Electronics

Largest Supplier of Electrical and Electronic Components

Click to view similar products for [Specialised Cables category](#):

Click to view products by [TE Connectivity manufacturer](#):

Other Similar products are found below :

[603PT6](#) [603SS6L](#) [604PT6](#) [604SS6](#) [706000D02F200](#) [910640](#) [1200740077](#) [1200740114](#) [AC172](#) [ACL-SSI-4](#) [R88ACAKA0015SRE](#)
[R88ACAWL005SDE](#) [R88ACRGD0R3C](#) [1300150047](#) [1300660036](#) [1302262116](#) [1300150149](#) [1300220020](#) [1300220104](#) [1300220119](#)
[1301240492](#) [1301810221](#) [1365323-1](#) [1613055](#) [176P12](#) [1971465-2](#) [20240400003](#) [20240400013](#) [2085828-1](#) [20886510030](#) [2-22733-8](#) [22733-](#)
[8](#) [CB-5PSBC-RS](#) [CB-704EC-RS](#) [CB-BATACC-RS](#) [CB-JST3PSW-RS](#) [CB-M12COM-R10](#) [25AC84](#) [25AK84X](#) [25AU25](#) [25FN82](#) [3011-03](#)
[AC118](#) [ACL-HHS-1M\(CAT5E\)](#) [SSL009PC2DC012N](#) [FC2A-KC6C](#) [2085828-2](#) [20886510150](#) [CCS-FCB-5](#) [CCSFCBF2](#)