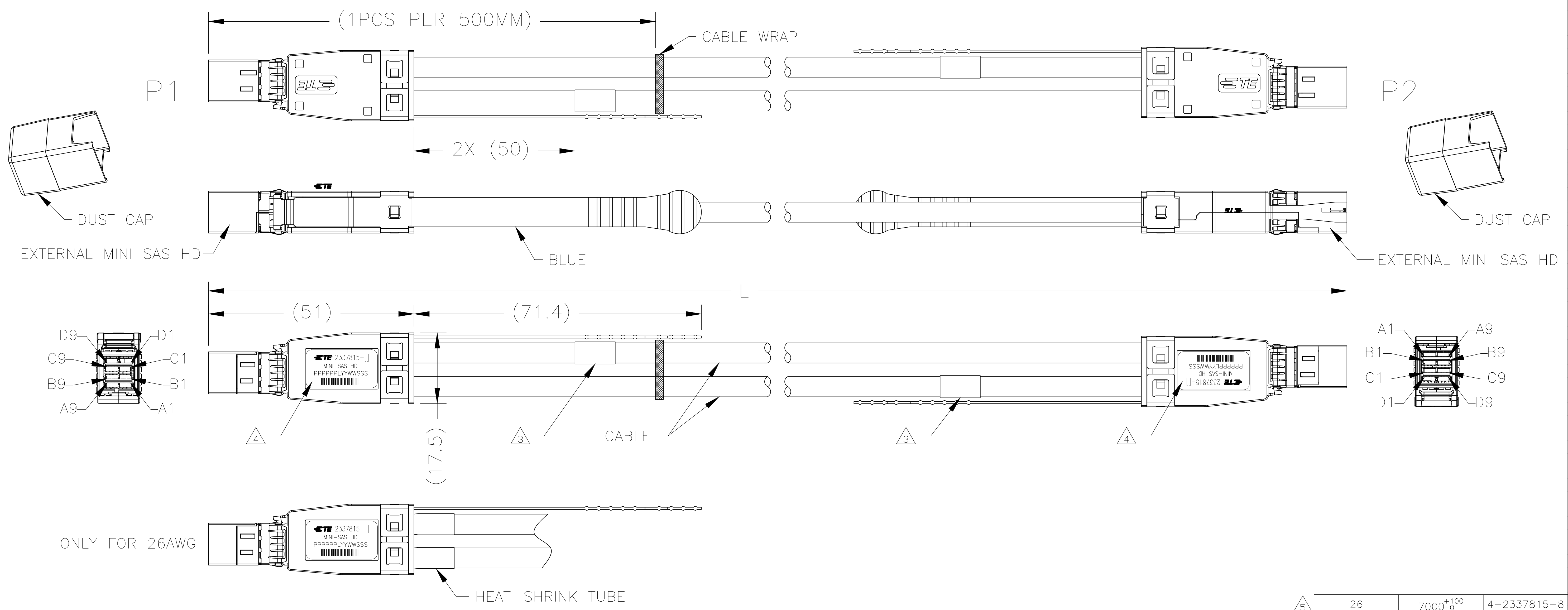
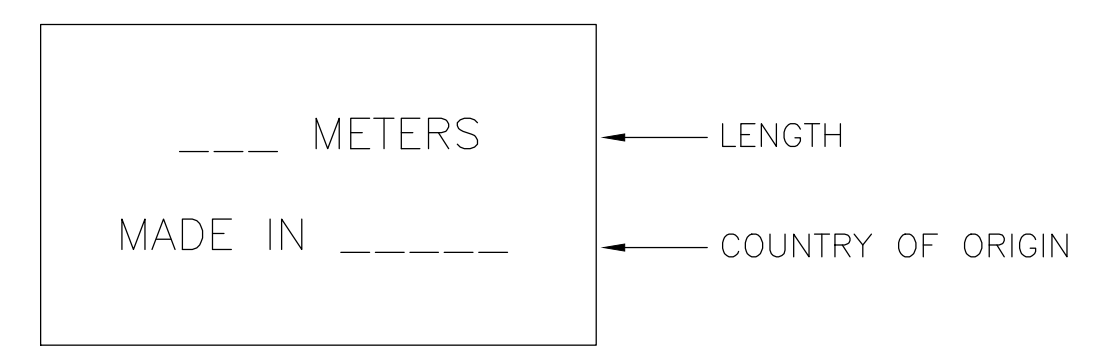


REVISIONS				
P	LTR	DESCRIPTION	DATE	APVD
A1		UPDATE LABEL FORMAT	29MAY2020	JW WY

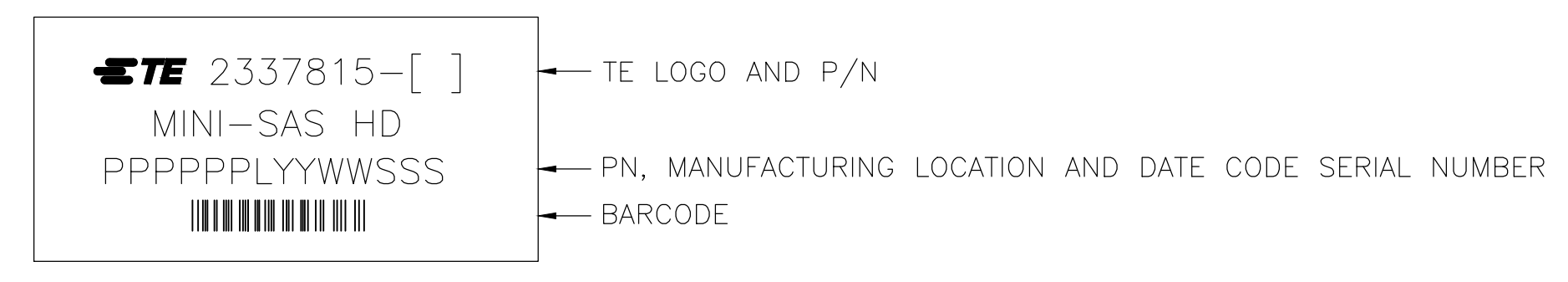


1. ASSEMBLY TESTED FOR CONTINUITY, OPENS, SHORTS, EEPROM PROGRAM AND SIGNAL INTEGRITY.
2. ROHS AND REACH COMPLIANCE: PRODUCT AND PROCESSING MUST MEET REQUIREMENTS OF TE SPECIFICATION TEC-138-702.

3 LABEL INFORMATION:



4 LABEL INFORMATION:



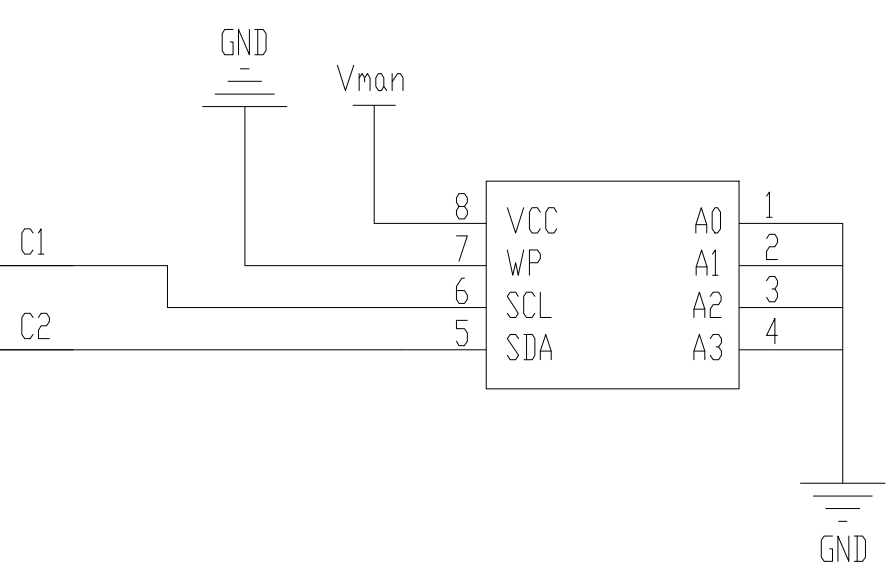
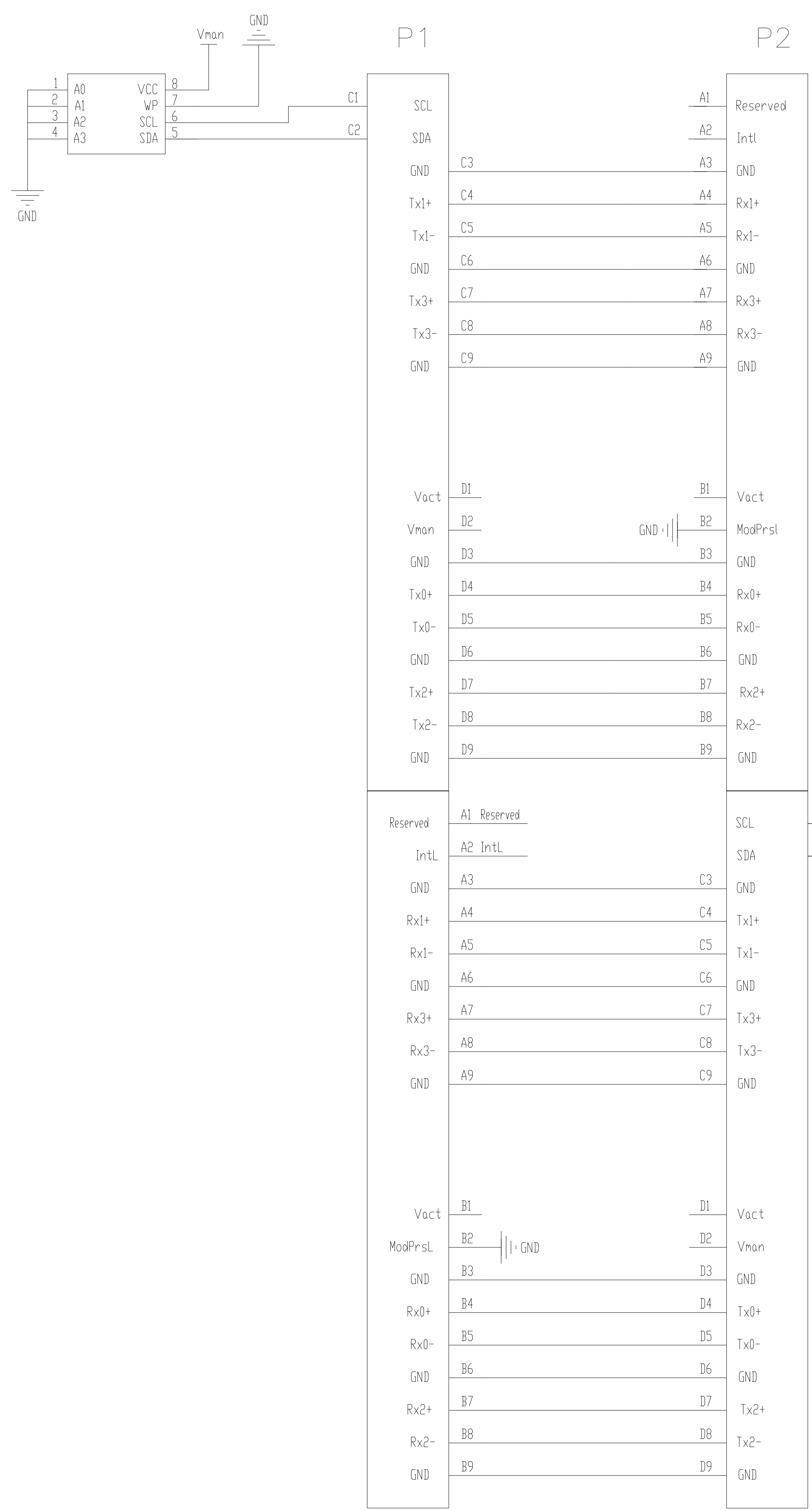
5 4-2337815-8 CAN NOT MEET SI SPECIFICATION OF SAS3.0.

AWG	L	PART NO.
26	7000 ⁺¹⁰⁰ ₋₀	4-2337815-8
26	6000 ⁺¹⁰⁰ ₋₀	4-2337815-7
26	5000 ⁺¹⁰⁰ ₋₀	4-2337815-6
26	4000 ⁺⁸⁰ ₋₀	4-2337815-5
26	3000 ⁺⁸⁰ ₋₀	4-2337815-4
26	2000 ⁺⁸⁰ ₋₀	4-2337815-3
26	1000 ⁺⁵⁰ ₋₀	4-2337815-2
26	500 ⁺⁵⁰ ₋₀	4-2337815-1
28	5000 ⁺¹⁰⁰ ₋₀	2-2337815-6
28	4000 ⁺⁸⁰ ₋₀	2-2337815-5
28	3000 ⁺⁸⁰ ₋₀	2-2337815-4
28	2000 ⁺⁸⁰ ₋₀	2-2337815-3
28	1000 ⁺⁵⁰ ₋₀	2-2337815-2
28	500 ⁺⁵⁰ ₋₀	2-2337815-1
30	3000 ⁺⁸⁰ ₋₀	2337815-4
30	2000 ⁺⁸⁰ ₋₀	2337815-3
30	1000 ⁺⁵⁰ ₋₀	2337815-2
30	500 ⁺⁵⁰ ₋₀	2337815-1
AWG	L	PART NO.

THIS DRAWING IS A CONTROLLED DOCUMENT.

DIMENSIONS:	TOLERANCES UNLESS OTHERWISE SPECIFIED:	DWG	05JUN2018	TE Connectivity Ltd.	
mm	0 PLC ± - 1 PLC ± - 2 PLC ± - 3 PLC ± - 4 PLC ± - ANGLES ± -	CHK	05JUN2018		
MATERIAL	FINISH	APVD	05JUN2018	NAME	
		KYLIN YAO DAVID ZHANG		MINI SAS HD TO MINI SAS HD 4X	
		SIZE	CAGE CODE	DRAWING NO	RESTRICTED TO
		A1	00779	2337815	
		WEIGHT	0		
		CUSTOMER DRAWING	SCALE	1:1	SHEET 1 OF 2

REVISIONS				
#	LR	DESCRIPTION	DATE	OWN
-	-	SEE SHEET 1	-	-



THIS DRAWING IS A CONTROLLED DOCUMENT.		OWN: KYLIN YAO CHK: KYLIN YAO APRO: DAVID ZHANG	05JUN2018 5JUN2018 5JUN2018	TE Connectivity Ltd.	
DIMENSIONS:	TOLERANCES UNLESS OTHERWISE SPECIFIED:	NAME	MINI SAS HD TO MINI SAS HD		
mm	0 PLC ± - 1 PLC ± - 2 PLC ± - 3 PLC ± - 4 PLC ± - ANGLES ± -	PRODUCT SPEC	4X		
MATERIAL	FINISH	APPLICATION SPEC	SIZE	CAGE CODE	DRAWING NO
		WEIGHT	A1	00779	2337815
CUSTOMER DRAWING		SCALE	1:1	SHEET	2 OF 2
		REV	A1		

X-ON Electronics

Largest Supplier of Electrical and Electronic Components

Click to view similar products for [Computer Cables](#) category:

Click to view products by [TE Connectivity](#) manufacturer:

Other Similar products are found below :

[68809-0004](#) [8F36-AAA105-1.00](#) [IB63](#) [CB-716EB-RS](#) [CB-716P8P9-RS](#) [CBK-11-290K-00](#) [ACL-10550](#) [ACL-10568-2](#) [ACL-10568-5](#)
[427522400-3](#) [426091300-3](#) [48000023](#) [10114976-P015002LF](#) [10111838-S444ALF](#) [88761-6101](#) [NT631C-CN321-EU](#) [ACL-10568NF-1](#)
[MIKROE-2092](#) [PCL-101100R-2E](#) [1700009405](#) [PS/2 Cable](#) [NT31C-CN323-EU](#) [PCL-10168H-1E](#) [68801-1905](#) [111068-1015](#) [100436-1107](#)
[68801-0630](#) [68801-3612](#) [68801-3618](#) [205058-1002](#) [PS2NK](#) [SATA cable](#) [96021-0000-00-0](#) [FAK-SMZSMZ 5M](#) [FAK-SMZSMZ-3M](#) [ACC-](#)
[500-200-R](#) [iW-C40-PCIe08-C1](#) [1700001531](#) [96048-0000-00-0](#) [96054-0000-00-0](#) [SATA III cable 30cm, down/straight](#) [cab-Pico-ITX-LVDS](#)
[PCL-101100SB-2E](#) [AXXSTCBLQAT](#) [NT31C-KBA05](#) [A2U4PSWCXCXK1](#) [2 port SATA to 5 pin,L=200mm](#) [P782-006-DH](#) [ACL-10568NF-](#)
[2](#) [PCL-101100R-1E](#)