

4

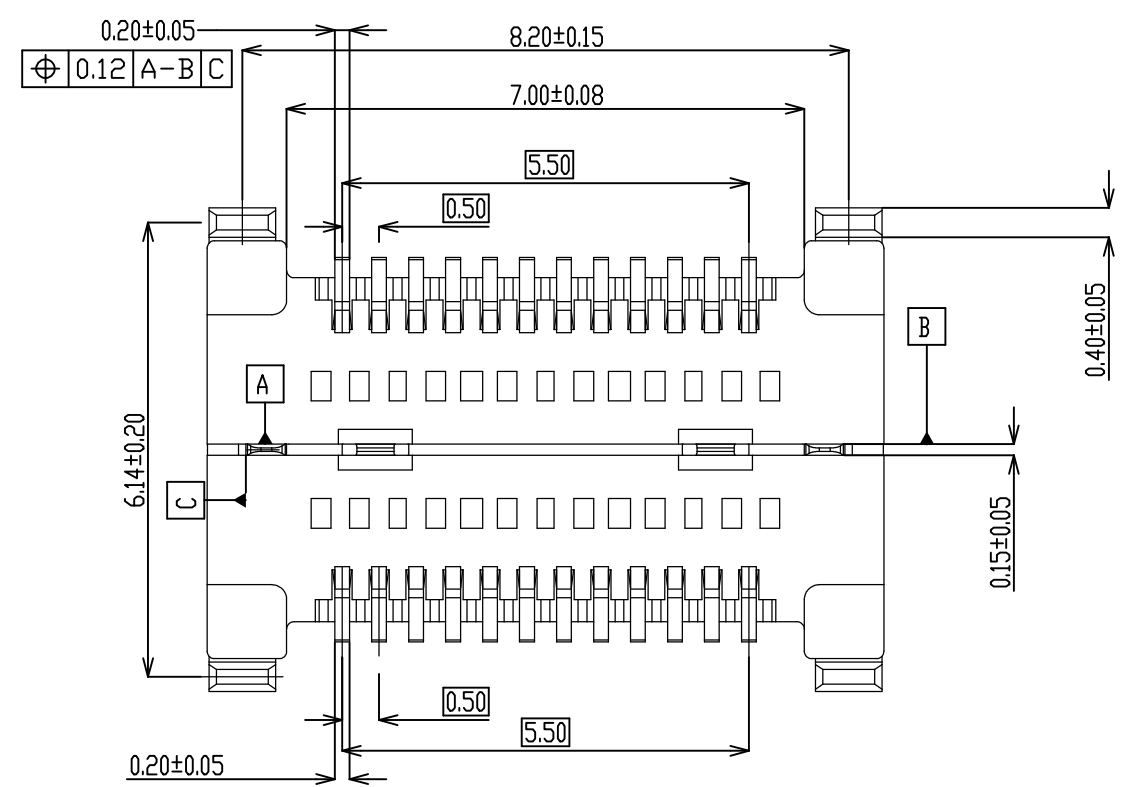
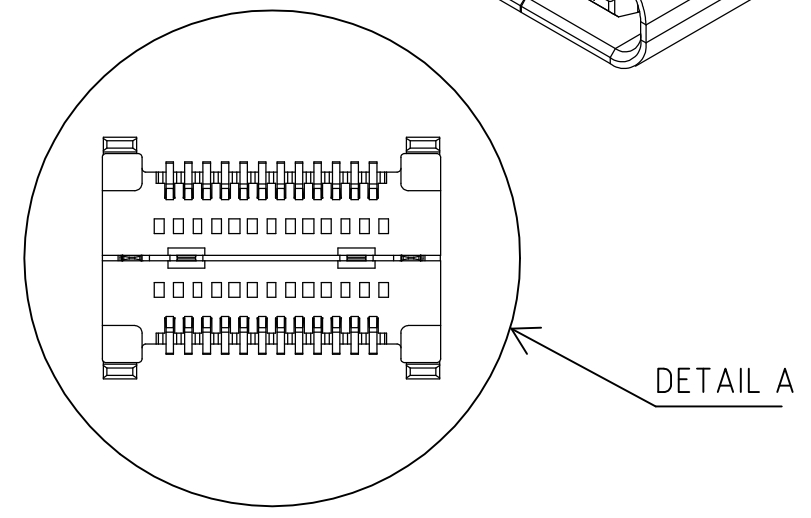
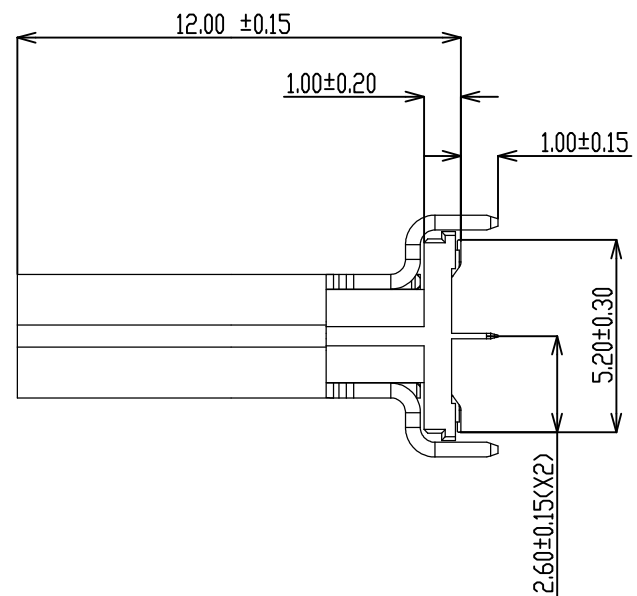
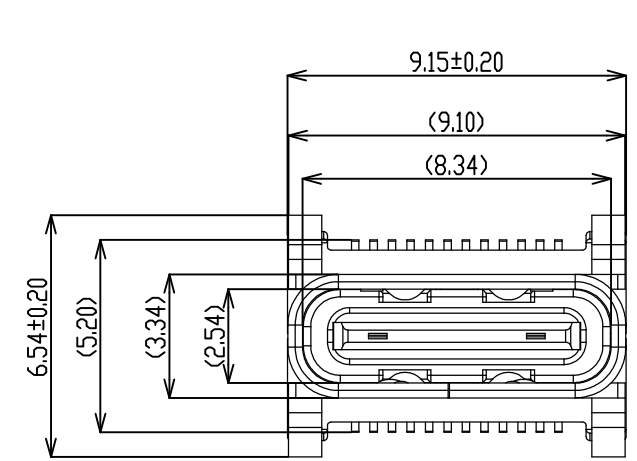
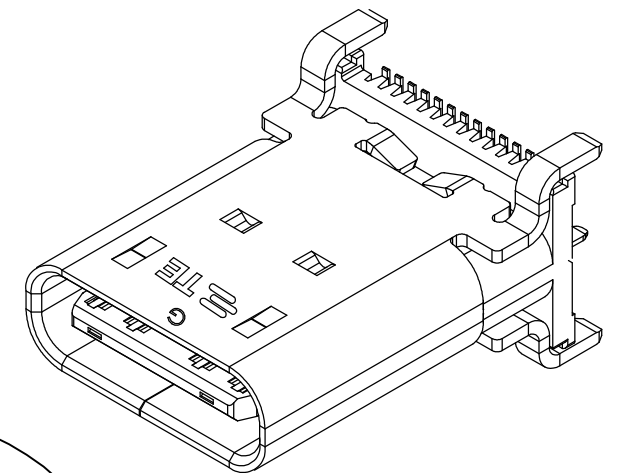
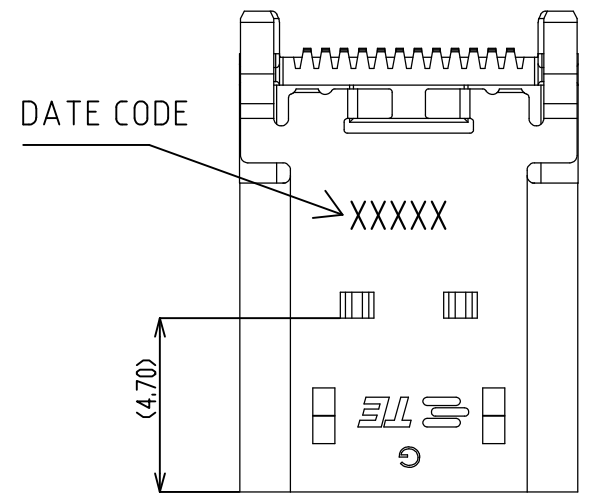
3

2

1

THIS DRAWING IS UNPUBLISHED. RELEASED FOR PUBLICATION  
 © COPYRIGHT - By - ALL RIGHTS RESERVED.

LOC	DIST	REVISIONS					
		P	LTR	DESCRIPTION	DATE	DWN	APVD
-	-	A		INITIAL RELEASE	21NOV2018	RM	SL

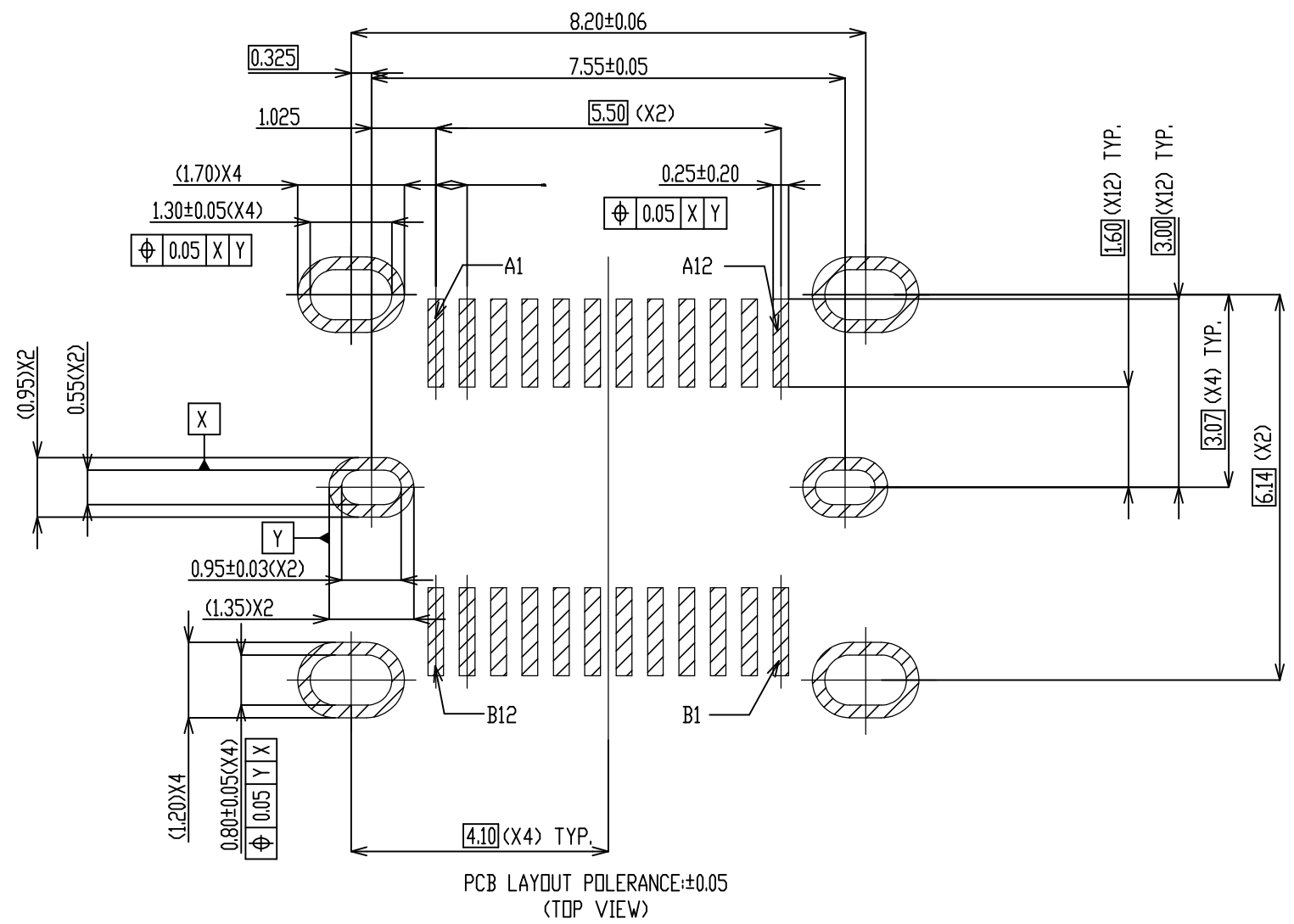


DETAIL A  
SCALE 10 : 1

THIS DRAWING IS A CONTROLLED DOCUMENT.		DWN RICHARD MA 7JUN2018	2337857-1 PART NUMBER	
DIMENSIONS: mm		CHK RICHARD MA 7JUN2018		
TOLERANCES UNLESS OTHERWISE SPECIFIED:		APVD SIMON LI 7JUN2018		
<ul style="list-style-type: none"> <li>0 PLC ± -</li> <li>1 PLC ± -</li> <li>2 PLC ± 0.15</li> <li>3 PLC ± -</li> <li>4 PLC ± -</li> <li>ANGLES ± 1°</li> </ul>		NAME	USB TYPE C RECEPTABLE VERTICAL TYPE	
MATERIAL SEE NOTE		FINISH SEE NOTE	PRODUCT SPEC 108-115145	RESTRICTED TO -
		APPLICATION SPEC -	WEIGHT -	SIZE A3
		CUSTOMER DRAWING	SCALE 1:1	CAGE CODE 00779
			DRAWING NO C=2337857	SHEET 1 of 3
				REV A

THIS DRAWING IS UNPUBLISHED. RELEASED FOR PUBLICATION  
 © COPYRIGHT - By - ALL RIGHTS RESERVED.

LOC	DIST	REVISIONS					
		P	LTR	DESCRIPTION	DATE	DWN	APVD
-	-	-	-	SEE SHEET 1	-	-	-

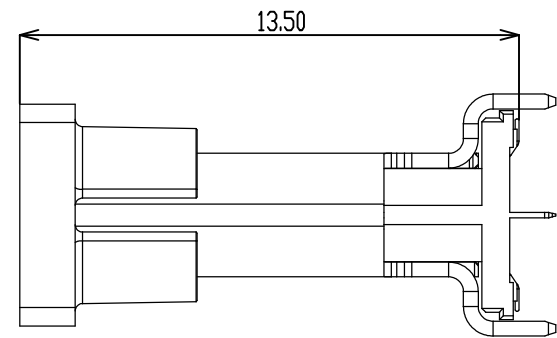
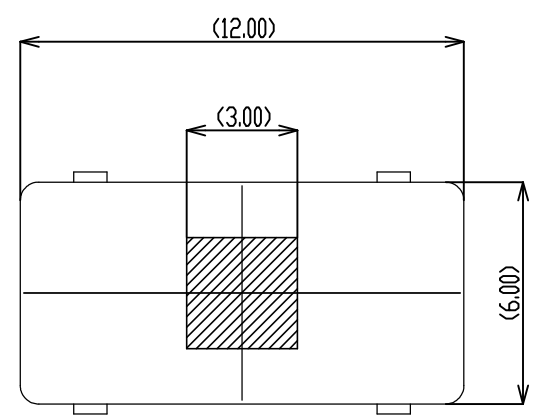
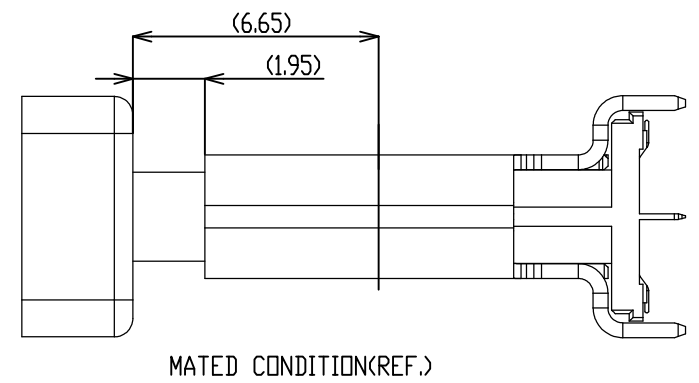


NOTES?

1.MATERIAL  
 HOUSING :HIGH TEMPERATURE THERMAL PLASTIC,BLACK,UL94-V0  
 CONTACT :COPPER ALLOY  
 SHELL :STAINLESS STEEL  
 MIDDLE PLATE:STAINLESS STEEL

2.PLATING  
 CONTACT:0.00076mm [30u"] MIN. GOLD PLATING ON CONTACT AREA.  
 0.00254um [100u"] MIN. MATTE TIN PLATING ON SOLDER TAILS,  
 WITH ENTIRE CONTACT UNDERPLATED 0.00127mm [50u"] MIN. NICKEL.  
 SHELL: 0.00127mm [50u"] MIN. NICKEL UNDER PLATING OVERALL.  
 MIDDLE PLATE: 0.00127mm [50u"] MIN. NICKEL UNDER PLATING OVERALL.

3.COPLANARITY OF SMT PINS SOLDER TAIL:  
 0.08MAX BEFORE REFLOW,0.10MAX. AFTER REFLOW



THIS DRAWING IS A CONTROLLED DOCUMENT.		DWN	-	 TE Connectivity NAME USB TYPE C RECEPTABLE VERTICAL TYPE
DIMENSIONS: mm		CHK	-	
TOLERANCES UNLESS OTHERWISE SPECIFIED:		APVD	-	
0 PLC ± - 1 PLC ± - 2 PLC ± 0.15 3 PLC ± - 4 PLC ± - ANGLES ± 1°		PRODUCT SPEC	-	
MATERIAL SEE NOTE	FINISH SEE NOTE	APPLICATION SPEC	-	SIZE A3
CUSTOMER DRAWING		WEIGHT	-	CAGE CODE 00779
		DRAWING NO C=2337857		DRAWING NO C=2337857
		SCALE	1:1	RESTRICTED TO -
		SHEET	2 of 3	REV A

4

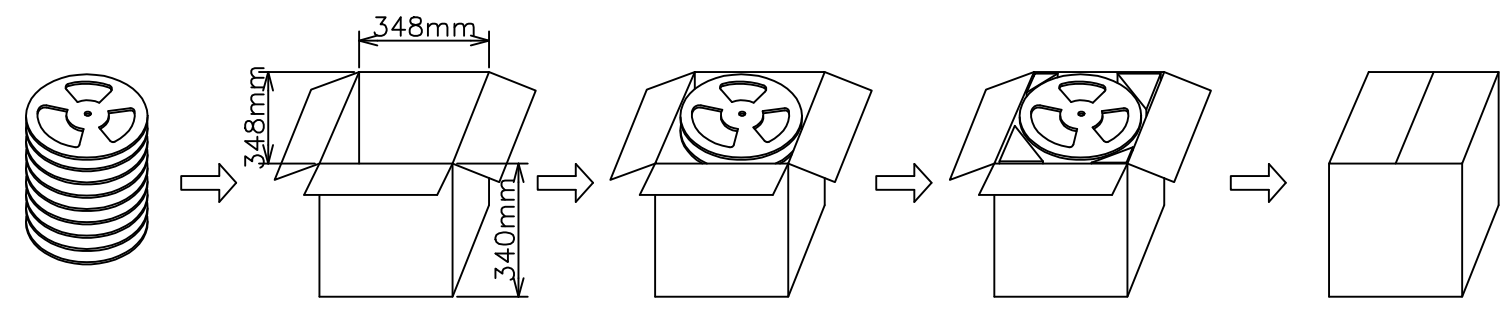
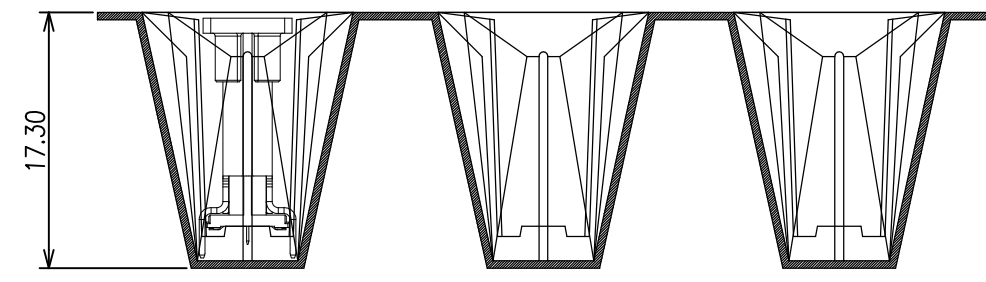
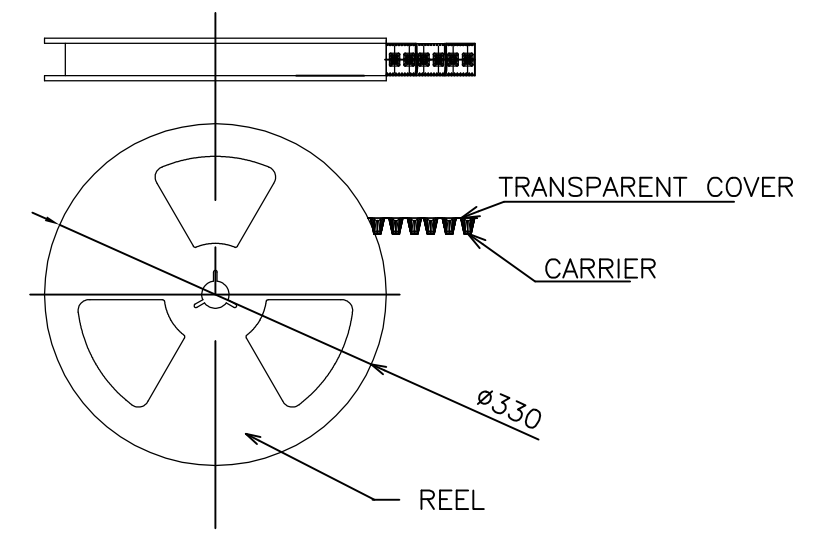
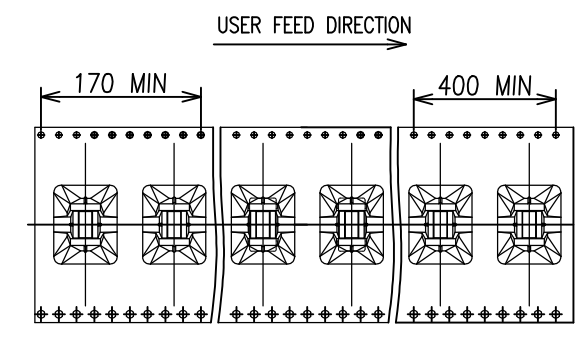
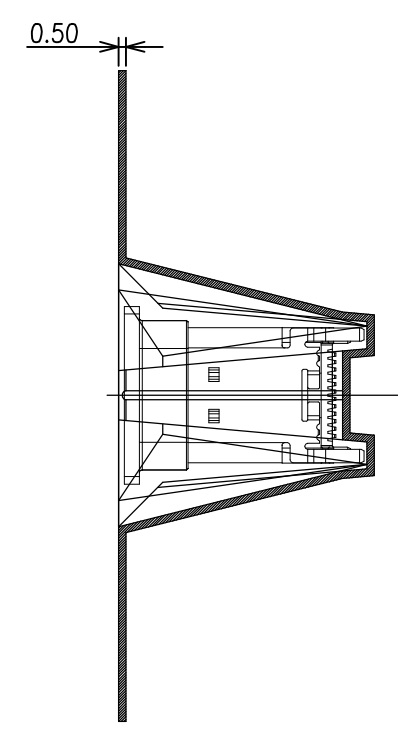
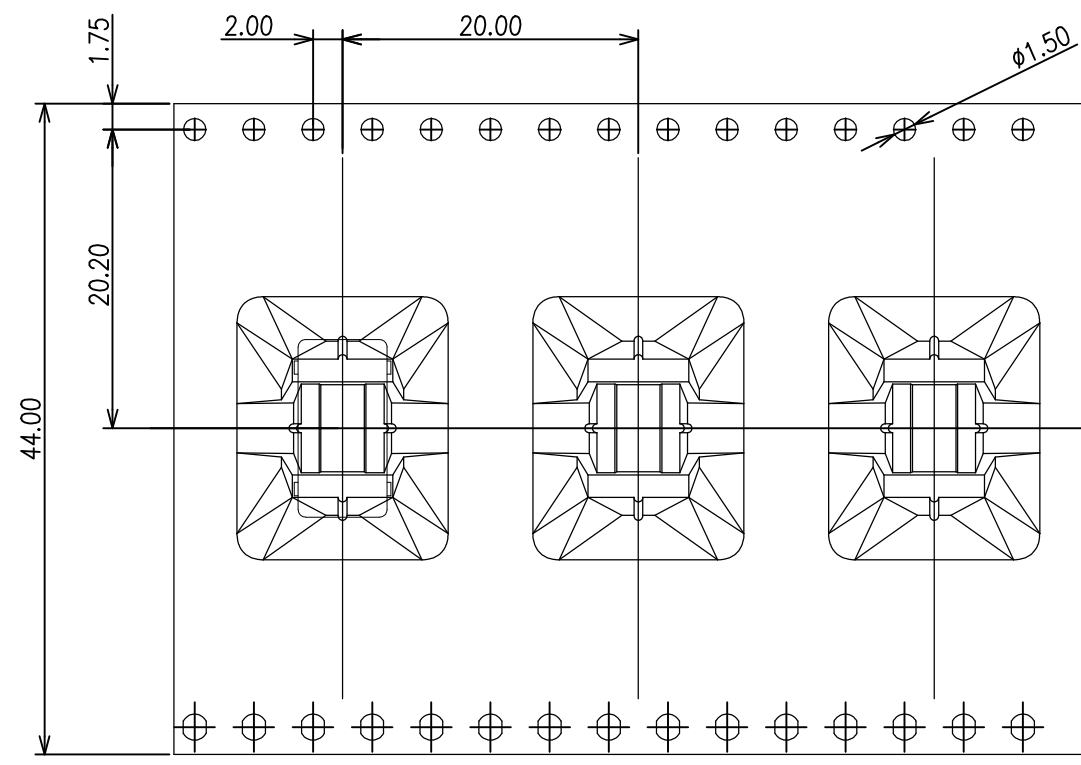
3

2

1

THIS DRAWING IS UNPUBLISHED. RELEASED FOR PUBLICATION  
 © COPYRIGHT - By - ALL RIGHTS RESERVED.

LOC	DIST	REVISIONS			
P	LTR	DESCRIPTION	DATE	DWN	APVD
-	-	SEE SHEET 1	-	-	-



PACKAGING PROCESS

THIS DRAWING IS A CONTROLLED DOCUMENT.		DWN	-		
		CHK	-		
		APVD	-		
		PRODUCT SPEC	-		
		APPLICATION SPEC	-		
		WEIGHT	-		
		CUSTOMER DRAWING	-		
		SCALE	1:1		
		SHEET	3 of 3		
		REV	A		

DIMENSIONS: mm		TOLERANCES UNLESS OTHERWISE SPECIFIED:	
		0 PLC	± -
		1 PLC	± -
		2 PLC	± 0.15
		3 PLC	± -
		4 PLC	± -
MATERIAL: SEE NOTE		FINISH: SEE NOTE	

TE Connectivity		NAME	
		USB TYPE C RECEPTABLE VERTICAL TYPE	
		SIZE: A3	CAGE CODE: 00779
DRAWING NO: 2337857		RESTRICTED TO	

## X-ON Electronics

Largest Supplier of Electrical and Electronic Components

*Click to view similar products for [USB Connectors](#) category:*

*Click to view products by [TE Connectivity](#) manufacturer:*

Other Similar products are found below :

[950](#) [A-USB A-LP-SMT-C](#) [A-USB B-TOP-C](#) [MUSBD11135](#) [17-200721](#) [217450-1](#) [KMBVX-TH-5S-B30](#) [KUSBX-AS2N-W](#) [KUSBX-SMT2AP1S-W30](#) [935](#) [957](#) [30-498-6](#) [SK-60A-2](#) [1734082-1](#) [30-470](#) [30-489](#) [30-541](#) [MIKROE-1451](#) [USBFTVSCCG](#) [1-1734084-2](#) [10135326-001LF](#) [USB3FTV7APEG](#) [4198](#) [1310-1023-02](#) [690-024-633-031](#) [UB-20PMFP-LC7001](#) [17-200011](#) [UB-20AFMM-LL7A01](#) [1040870124](#) [CAP-WCCMLPB1](#) [2274475-3](#) [UB-20BMFA-SL8001](#) [UB-20BFM-SA7A02](#) [UB-20BFM-SA7A05](#) [914-614A2025S10200](#) [MUSBR-AHD2-M41-SK](#) [ZX40-B-5S-1500-STDA\(30\)](#) [GSB3116344HR](#) [USB3FTV2SAZNF459](#) [USBF21GSCC](#) [U221-041N-1WVS62-F5D](#) [HYCW153-USBD05-500B](#) [HYCW219-USBD05-075B](#) [HYCW148-USBD05-117B](#) [HYCW149-USBD05-740B](#) [HYCW204-USBD05-108B](#) [HYCW214-USBA04-113B](#) [HYCW213-USBA04-113B](#) [UB-20AMFM-SL7A01](#) [KMMX-BSMT35S-1-B30TR](#)