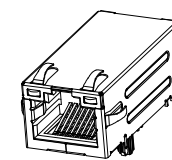
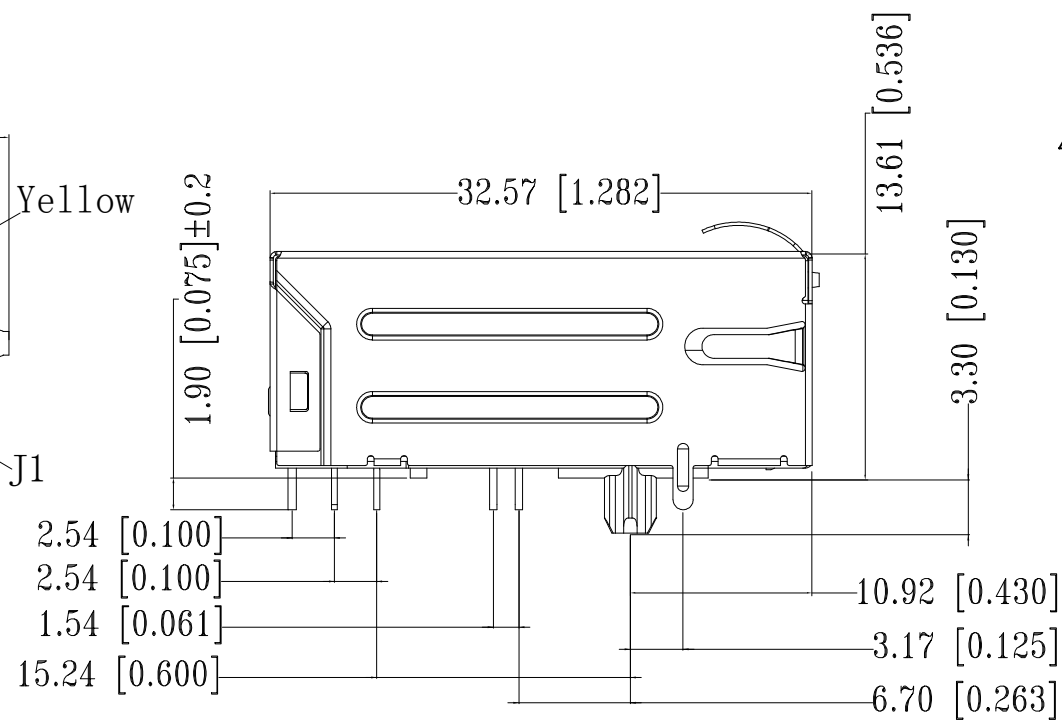
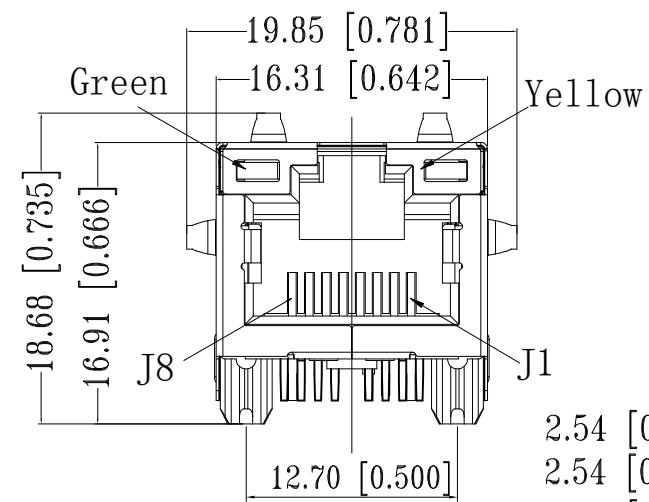
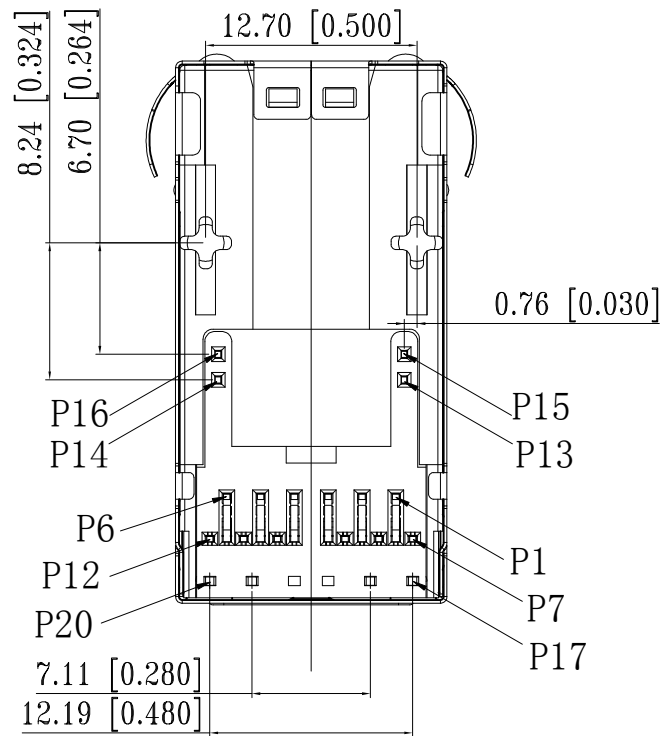


REVISIONS

P	LTR	DESCRIPTION	DATE	DWN	APVD
A		NEW RELEASE	26NOV2018	GCM	JDB



1:1

- △ CONNECTOR MATERIAL:
 HOUSING: LCP BLACK UL94 V-0
 INSERT: LCP BLACK UL94 V-0
 SHIELD: BRASS
 SHIELD PLATING: NICKEL
 CONTACT: COPPER ALLOY
 CONTACT PLATING: SELECTIVE GOLD, MIN. 0.76µm (30µinch) IN CONTACT AREA
 OVER MIN. 1.27µm (50µinch) NICKEL
 SOLDER PIN PLATING: 3.05µm (120µinch) TIN OVER 1.27µm (50µinch) NICKEL
 OVER ALL
 SHIELDING PIN PLATING: NICKEL
- 2 PIN NOT ELECTRICALLY CONNECTED MAYBE OMITTED SEE ELECTRICAL CIRCUIT DIAGRAM FOR OMITTED PINS
- 3 RJ45 CAVITIES CONFORM TO FCC RULES AND REGULATION PART 68
- 4 THE PART IS RECOMMENDED FOR REFLOW SOLDERING PROCESS PEAK SOLDERING: TEMPERATURE MAX. +260° C, MAX. 10s
- 5 OPERATING TEMPERATURE: T= -40° C TO +85° C
- 6 STORAGE TEMPERATURE: T= -40° C TO +85° C
- △ UNLESS OTHERWISE SPECIFIED, SEE TABLE FOR ALL DIMENSIONS TOLERANCES
- 8 JACK CONFIGURATION: 1 x 1
 TAB DIRECTION: UP
- 9 PACKAGING: REEL (T+R) ACCORDING TO PACKAGING SPECIFICATION 107-18116

TABLE OF TOLERANCE (mm)	
RANGE	TOLERANCE
0-10	±0.15
>10-40	±0.25
>40-70	±0.30
>70	±0.40

THIS DRAWING IS A CONTROLLED DOCUMENT.		DWN	26NOV2018		TE TE Connectivity
		CHK	26NOV2018		
		APVD	26NOV2018		
		NAME	J. DE BRUIJN		
DIMENSIONS: mm [INCHES]		TOLERANCES UNLESS OTHERWISE SPECIFIED:		PRODUCT SPEC	
		0 PLC ± -		108-94694	
		1 PLC ± - △7		APPLICATION SPEC	
		2 PLC ± -		114-94556	
		3 PLC ± -		SIZE	
		4 PLC ± -		CAGE CODE	
		ANGLES ± -		DRAWING NO	
		FINISH		RESTRICTED TO	
MATERIAL △1		FINISH △1		A3 00779 C=2337992-5	
CUSTOMER DRAWING				SCALE	3:1
				SHEET	1 OF 3
				REV	A

4

3

2

1

THIS DRAWING IS UNPUBLISHED. RELEASED FOR PUBLICATION - , 2018.

© COPYRIGHT - 2017 by TE Connectivity Germany GmbH

ALL RIGHTS RESERVED.

REVISIONS

P	LTR	DESCRIPTION	DATE	DWN	APVD
-	-	SEE SHEET 1	-	-	-

SUGGESTED PCB LAYOUT

Dimensions (mm [inches]):

- 9.91 [0.390]
- 8.38 [0.330]
- 3.30 [0.130]
- 2.80 [0.110]
- 2.29 [0.090]
- 1.27 [0.050]
- 0.26 [0.010]
- 20.32 [0.800]
- 17.78 [0.700]
- 15.24 [0.600]
- 8.24 [0.324]
- 6.70 [0.264]
- 3.17 [0.125]
- 0.76 [0.030]
- 1.71 [0.068]
- 11.94 [0.470]
- 12.70 [0.500]
- 14.41 [0.568]

Component locations: P1, P6, P7, P12, P17, P20, OP14, OP16, P130, P150.

Drill diameters: $\phi 1.02(4x)$, $\phi 0.90(12x)$, $\phi 3.25(2x)$, $\phi 1.60(2x)$.

Connector Boundary

Dimensions (mm [inches]):

- 21.65 [0.852]
- 15.40 [0.606]
- 13.80 [0.543]
- 10.92 [0.430]
- 9.02 [0.355]
- 7.42 [0.292]
- 5.27 [0.207]
- 0.31 [0.012]
- 0.71 [0.028]
- 1.81 [0.071]
- 2.90 [0.114]
- 9.81 [0.386]
- 13.01 [0.512]
- 14.51 [0.571]

METAL PANEL

Dimensions (mm [inches]):

- 13.76 [0.542]
- 17.06 [0.672]
- 0.22 [0.009]
- 2.21 [0.087]

UNIT: mm / inch
TOLERANCES: $\pm 0.10 / 0.004$

THIS DRAWING IS A CONTROLLED DOCUMENT.

DWN 26NOV2018

CHK GANESH C M 26NOV2018

APVD O. WIBORG 26NOV2018

APVD J. DE BRUIJN 26NOV2018

PRODUCT SPEC

108-94694

APPLICATION SPEC

114-94556

WEIGHT

CUSTOMER DRAWING

TE Connectivity

NAME RJ45 JACK MAG. POE 1Gb LED 1x1 INV

-

-

SIZE A3 CAGE CODE 00779 DRAWING NO C-2337992-5 RESTRICTED TO -

SCALE 3:1 SHEET 2 OF 3 REV A

DIMENSIONS:
mm [INCHES]

MATERIAL 1

TOLERANCES UNLESS
OTHERWISE SPECIFIED:

0 PLC	$\pm -$	7
1 PLC	$\pm -$	
2 PLC	$\pm -$	
3 PLC	$\pm -$	
4 PLC	$\pm -$	
ANGLES	$\pm -$	

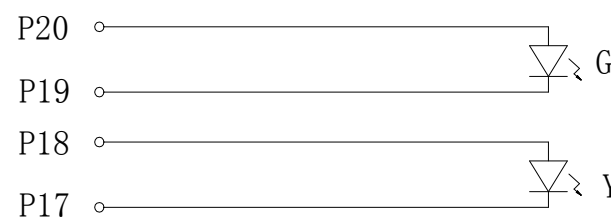
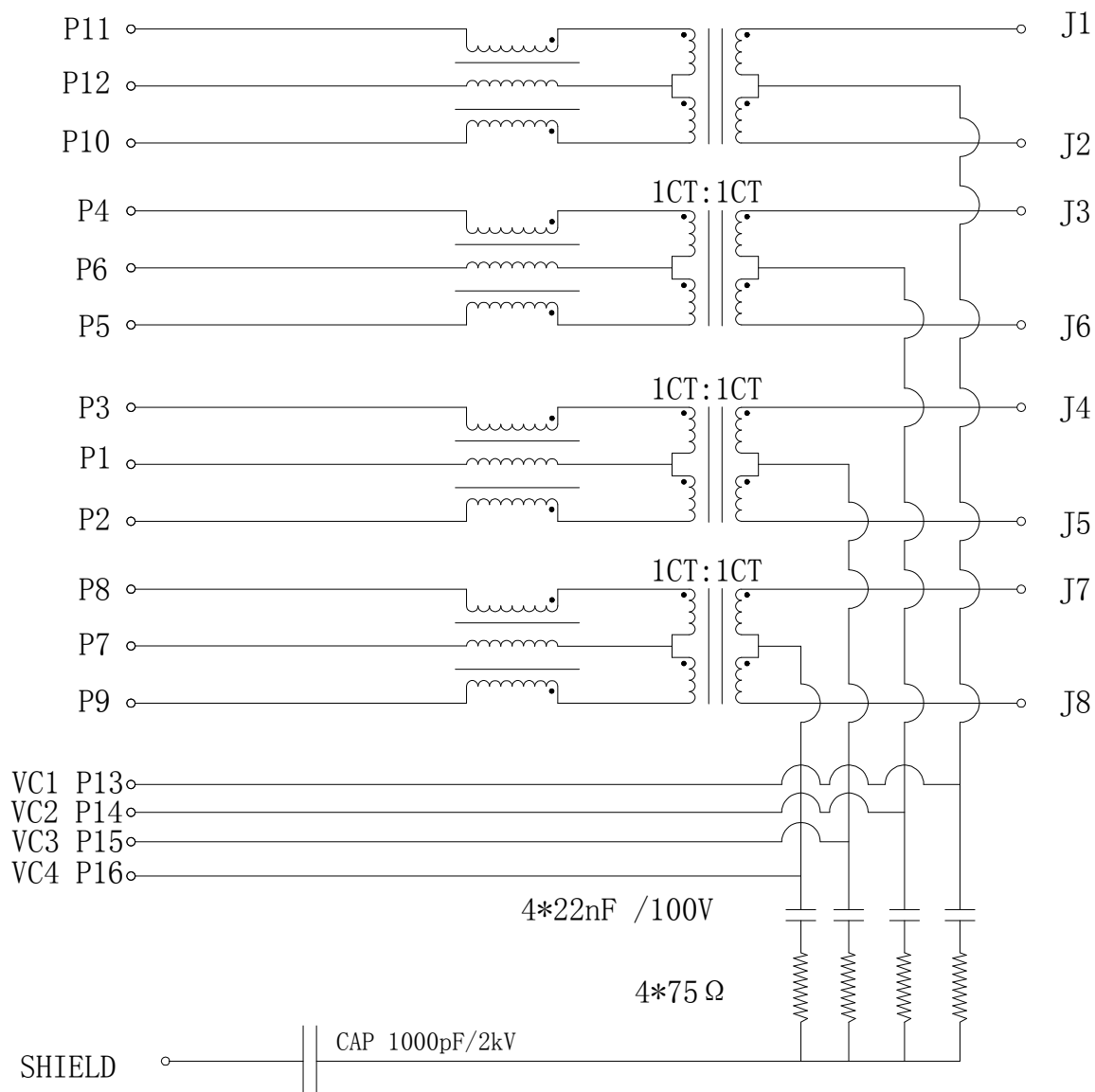
FINISH 1

1470-19 (1/15)

REVISIONS

P	LTR	DESCRIPTION	DATE	DWN	APVD
-	-	SEE SHEET 1	-	-	-

ELECTRICAL CIRCUIT DIAGRAM



Pin	Yellow	Pin	Green
P17	-	P19	-
P18	+	P20	+

- 1.0 Turn Ratio @100kHz: (P11~P10):(J1~J2) = 1:1±2%
(P4~P5):(J3~J6) = 1:1±2%
(P3~P2):(J4~J5) = 1:1±2%
(P8~P9):(J7~J8) = 1:1±2%
- 2.0 Primary Inductance: 350µH MIN. @100kHz,0.1V 8mA DC BIAS
- 3.0 DC Resistance: 1.2 OHMS MAX.
- 4.0 Insertion Loss: 1-100MHz -1.0dB MAX.
100-125MHz -1.2dB MAX.
- 5.0 Return Loss: 1-40MHz -16dB MIN.
40-60MHz -12dB MIN.
60-80MHz -10dB MIN.
80-100MHz -8dB MIN.
- 6.0 CROSS TALK: 1-100MHz -27.1dB MIN.
- 7.0 COMMON TO COMMON MODE ATTENUATION: 1-100MHz -30dB MIN
- 8.0 Isolation: PHY Side to Line Side: 2250VDC
- 9.0 DC CURRENT/VOLTAGE RATING-PSE PINS: 720mA MAX. @57VDC (CONTINUOUS)

2337992-5
WWYY-xxxx

STE

FCC

CONTROL CODE
DATE CODE
"0213"

YY-YEAR
WW-WEEK

THIS DRAWING IS A CONTROLLED DOCUMENT.		DWN GANESH C M 26NOV2018	STE TE Connectivity	
DIMENSIONS: mm [INCHES]		CHK O. WIBORG 26NOV2018		
TOLERANCES UNLESS OTHERWISE SPECIFIED: 0 PLC ± - 1 PLC ± - 2 PLC ± - 3 PLC ± - 4 PLC ± - ANGLES ± -		APVD J. DE BRUIJN 26NOV2018	NAME RJ45 JACK MAG. POE 1Gb LED 1x1 INV	
MATERIAL 1		FINISH 1	PRODUCT SPEC 108-94694	RESTRICTED TO -
			APPLICATION SPEC 114-94556	
			WEIGHT A3 00779	SIZE A3
			CUSTOMER DRAWING	DRAWING NO C=2337992-5
			SCALE 3:1	SHEET 3 of 3
				REV A

X-ON Electronics

Largest Supplier of Electrical and Electronic Components

Click to view similar products for [Modular Connectors / Ethernet Connectors](#) category:

Click to view products by [TE Connectivity](#) manufacturer:

Other Similar products are found below :

[8949-H88/06BLKA/SN](#) [74441-0010/BKN](#) [MP1010RX-1000](#) [MP44RX-1000](#) [PHJ-4P4C-1-V-4](#) [PHP-6P6C-5](#) [GAX-3-66](#) [GAX-8-62](#) [GDCX-PA-66-50](#) [GDCX-PN-64](#) [GDCX-PN-66](#) [GDCX-PN-66-50](#) [GDLX-A-66](#) [GDLX-N-66](#) [GDLX-S-66](#) [GDLX-S-88K](#) [GDLX-SMT-S-88](#) [GDTX-S-88-50](#) [GDX-PA-1010](#) [GLX-N-1010M-BLK](#) [GLX-S-88M-BLK](#) [GMX-N-1010](#) [GMX-S-1010](#) [GMX-S-66](#) [GMX-SMT4-N-88](#) [GPX-2-64](#) [GSGX-N-2-88](#) [GSGX-N-4-88](#) [GSX-NS2-88-3.05](#) [GSX-NS2-88-3.05-50](#) [GSX-NS-88-3.05-50](#) [PT-108A-8C-UL](#) [PT-J951-8C](#) [PTS-J531-8CS-50UL](#) [1-1775629-2](#) [A-2014-0-4](#) [GWLX-S-88-GR](#) [GWLX-S9-88-YG](#) [DC-1021-8-WH-6](#) [1300530003](#) [1324640-4](#) [RJ11FTVC2G](#) [RJ11FTVC2N](#) [RJFTVX2SA1G](#) [132764-001](#) [1413235](#) [MP88X-1000](#) [MPS88RX-5000](#) [E5288-S000K3-L](#) [E5908-15A242-L](#)