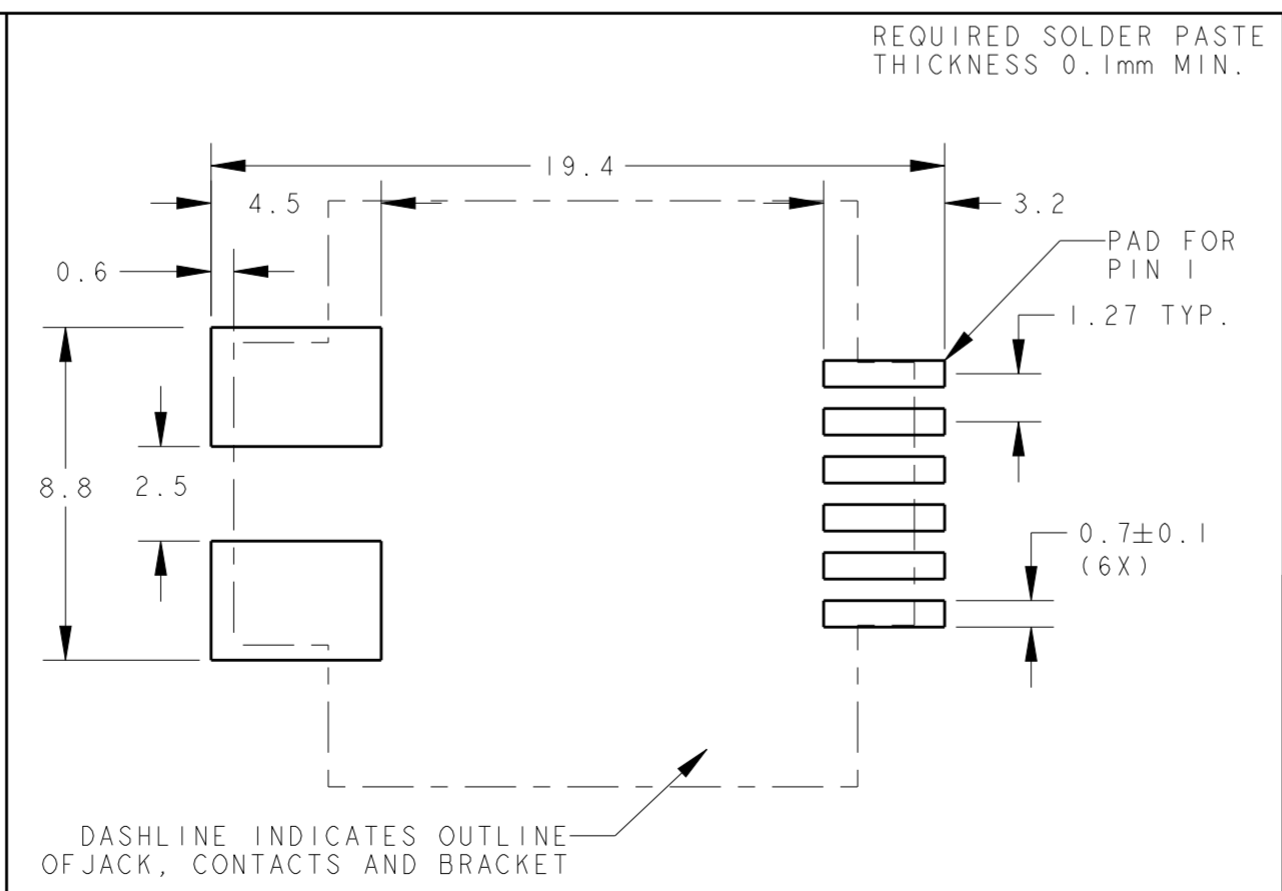
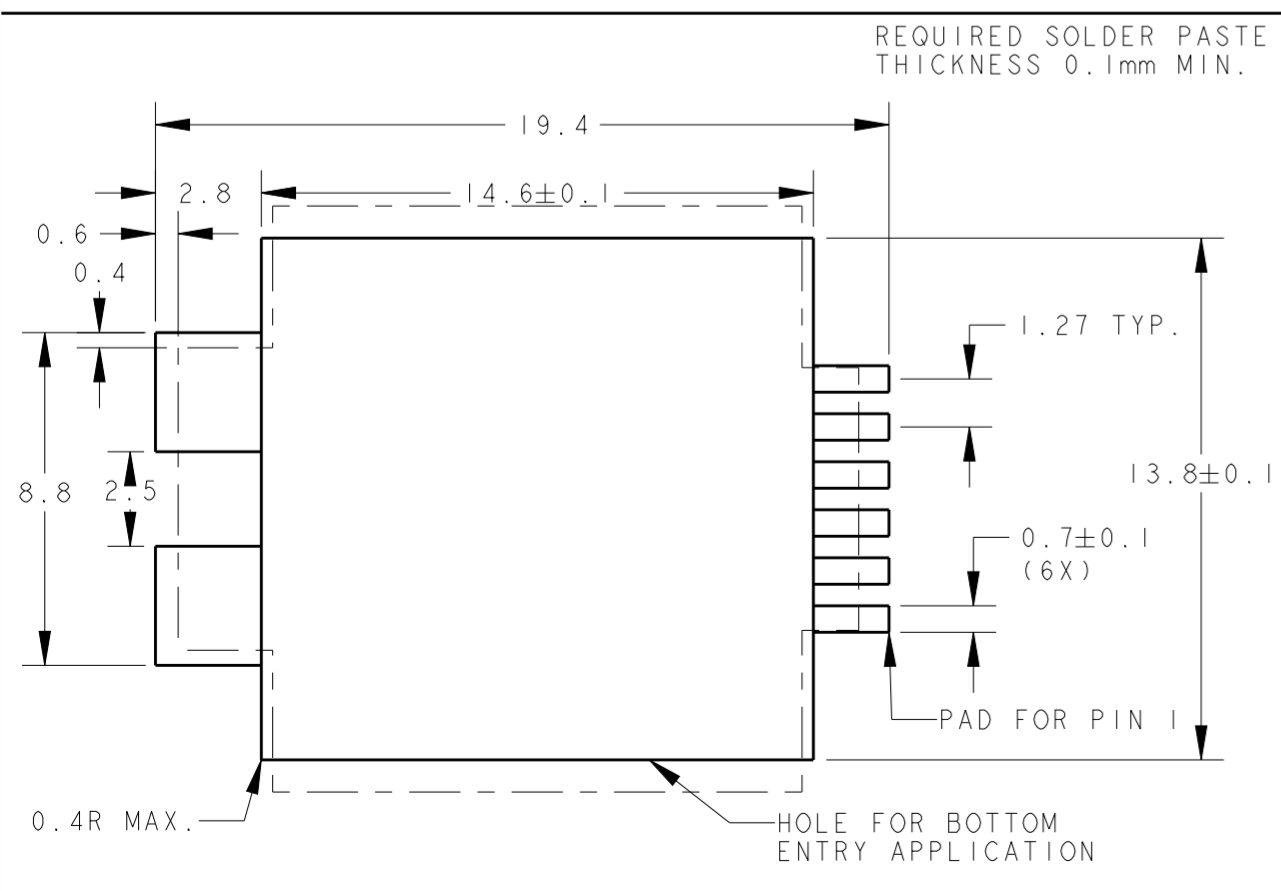
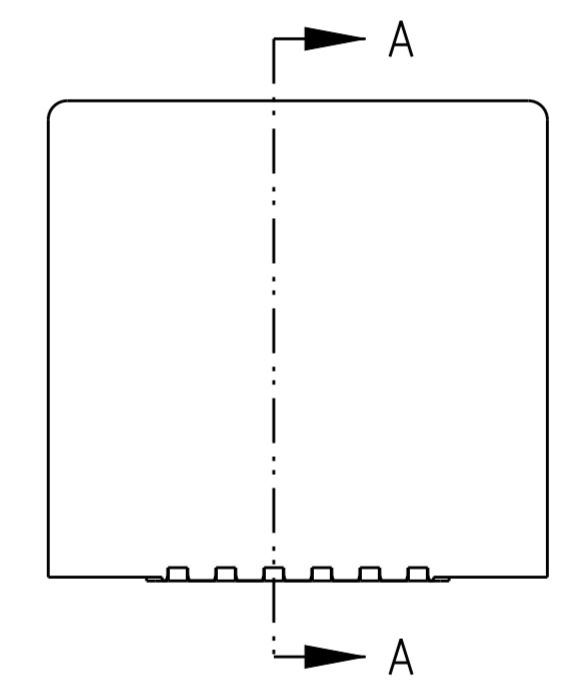
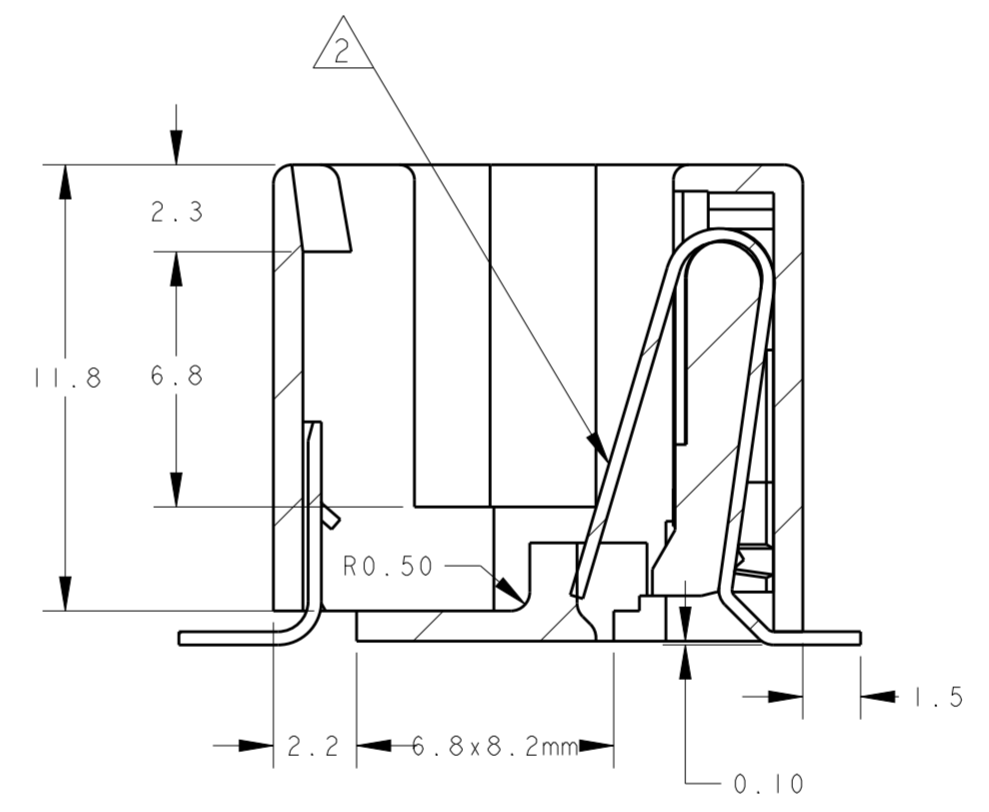
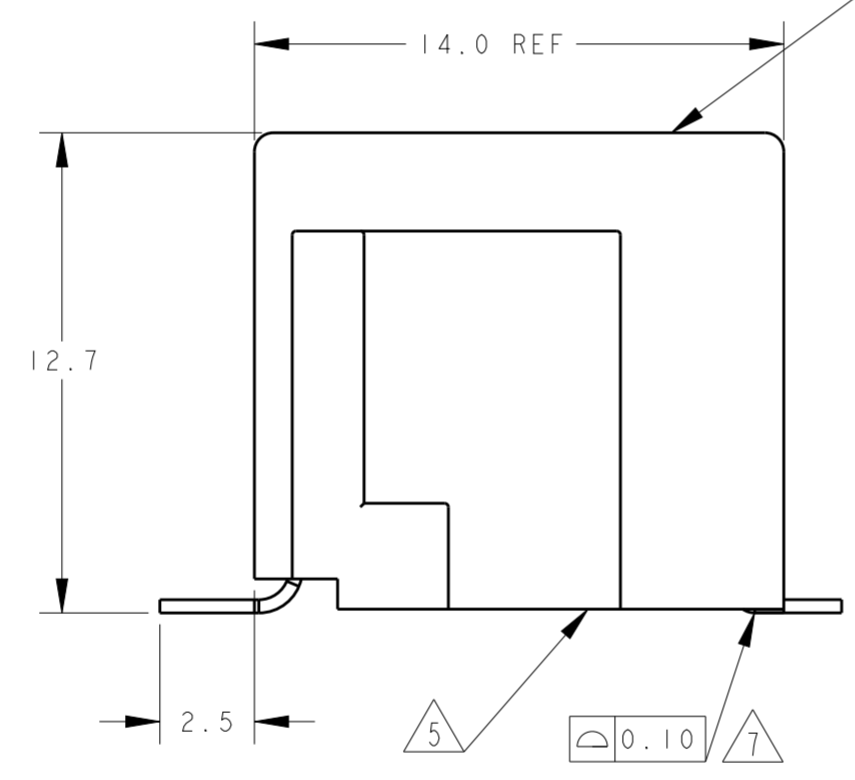
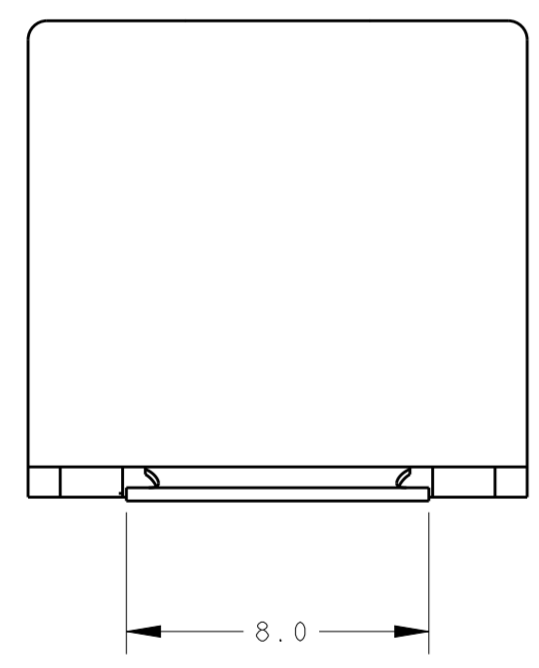
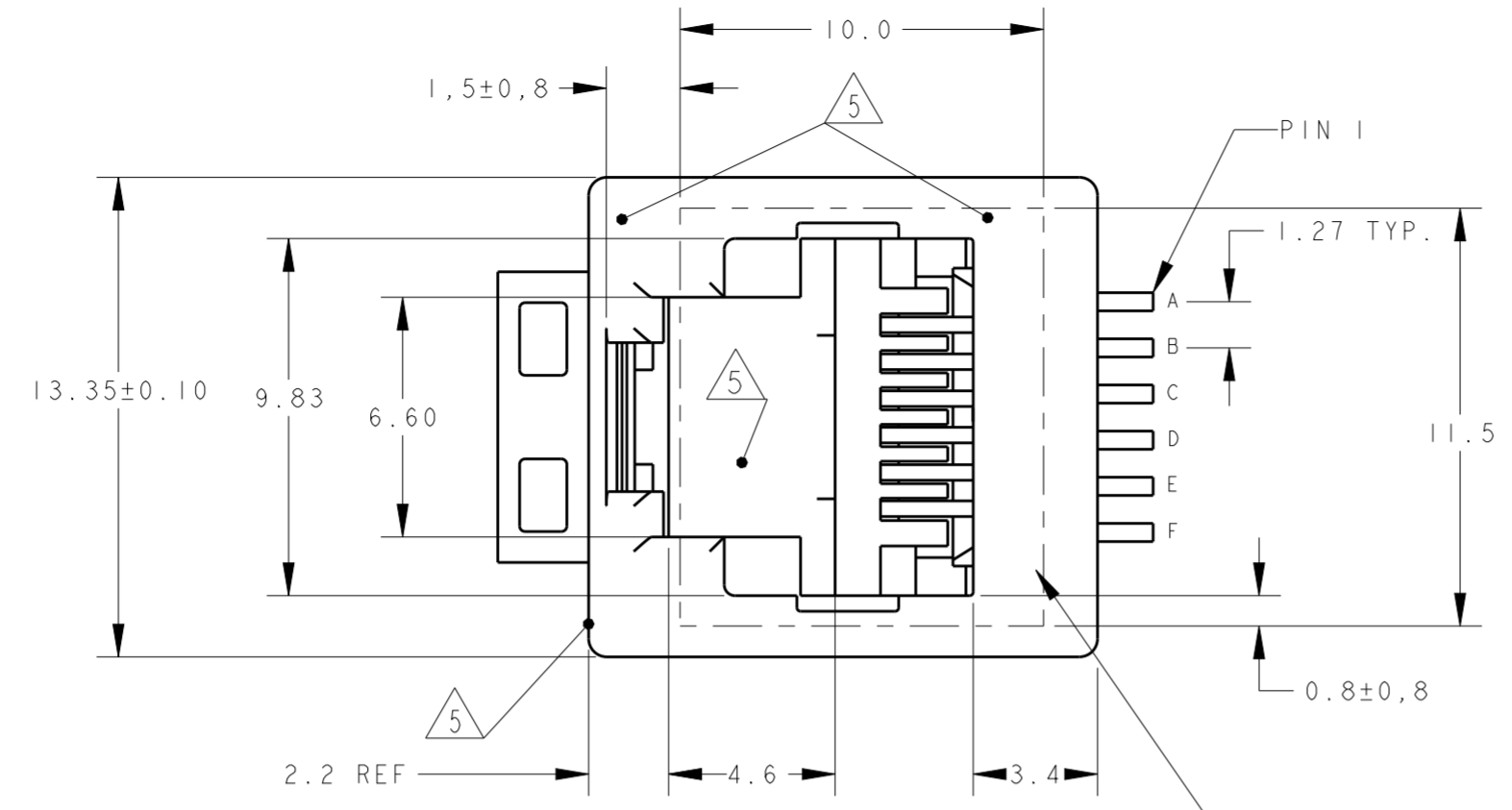
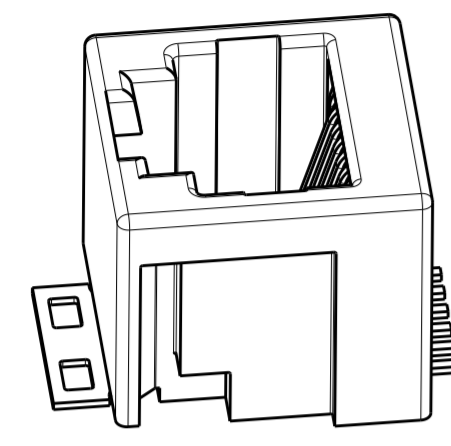


THIS DRAWING IS UNPUBLISHED. RELEASED FOR PUBLICATION  
 © COPYRIGHT - TE CONNECTIVITY ALL RIGHTS RESERVED.

| LOC |     | DIST   |           | REVISIONS |      |  |  |
|-----|-----|--|-----------|-----------|------|--|--|
| P   | LTR | DESCRIPTION  | DATE      | DWN       | APVD |  |  |
|     | Y   | HOUSING RIB STRENGTHENED, RAW MATERIAL CHANGED TO PA4T | 06JAN2012 | PS        | RRP  |  |  |
|     | Z   | ECO-16-001320  | 14JUN2016 | AD        | SH   |  |  |

**NOTES:**

- 1 TOLERANCES UNLESS OTHERWISE SPECIFIED:  $\pm 0.15$ .
- 2 CONTACT PLATING:  
 OVERALL: Ni 1.27 $\mu$ m MIN. ALL OVER THE CONTACTS  
 SOLDER ZONE: Sn 3.5-5.0 $\mu$ m ON THE SOLDER ZONE OF THE CONTACT  
 MATING ZONE: PLATING CONFIRMS TO PRODUCT REQUIREMENTS AS PER SPECIFICATION 108-19117
- 3 MATERIALS:  
 HOUSING: 30% G.F. LCP, COLOR BLACK, UL 94V-0.  
 CONTACTS: PHOSPHOR BRONZE  
 SOLDER BRACKET: TINPLATED BRASS WITH NICKEL UNDERPLATE.
- 4 THIS JACK CAN ALSO BE APPLIED HANGING THROUGH A HOLE, IN A PRINTED CIRCUIT BOARD. SEE LEFT PCB LAYOUT.
- 5 SURFACE CAN BE USED FOR PICKING THE MODULAR JACK WITH, TYPE 11 SMD MACHINE.
- 6 ON 1-338086-4 AND 2-338086-4 ONLY CONTACTS B,C,D & E ARE INSTALLED.
- 7 COPLANARITY MEASURED AT HEEL OF CONTACTS  
 COPLANARITY AT TIPS OF CONTACTS MAX. 0.18 mm
- 8 TAPE AND REEL PACKAGING ACCORDING TO EIA 481-3 SPECIFICATIONS.
- 9 INCLUDES KAPTON TAPE (10x11,5mm) ON TOP SURFACE AS PICK AND PLACE FEATURE.
- 10 OBSOLETE PARTS: OBSOLETE CIS STREAMLINIG PER D. RENAUD/D.SINSI



| REMARKS                 | PACKAGING   | PART NUMBER  |
|-------------------------|---|--------------|
| OBSOLETE 6 POS./6 CONT. | 750 PCS ON $\varnothing$ 560mm OD REEL.<br>BOTTOM ENTRY ORIENTATION PER DETAIL B2 | 2-338086-5   |
| 6 POS./4 CONT.          | 750 PCS ON $\varnothing$ 560mm OD REEL.<br>TOP ENTRY ORIENTATION PER DETAIL B1    | 2-338086-4 6 |
| 6 POS./6 CONT.          | 2-338086-3  |              |
| 6 POS./4 CONT.          | 300 PCS ON $\varnothing$ 360mm OD REEL.<br>TOP ENTRY ORIENTATION PER DETAIL B1    | 1-338086-7 9 |
| 6 POS./6 CONT.          | 1-338086-6 9  |              |
| 6 POS./6 CONT.          | 300 PCS ON $\varnothing$ 360mm OD REEL.<br>BOTTOM ENTRY ORIENTATION PER DETAIL B2 | 1-338086-5   |
| 6 POS./4 CONT.          | 300 PCS ON $\varnothing$ 360mm OD REEL.<br>TOP ENTRY ORIENTATION PER DETAIL B1    | 1-338086-4 6 |
| 6 POS./6 CONT.          | 1-338086-3  |              |

THIS DRAWING IS A CONTROLLED DOCUMENT.

DWN: E.v.EIJK 22-Nov-96  
 CHK: E. STELLINGA DEC-96

APVD: R. SMEETS

PRODUCT SPEC: 108-19117  
 APPLICATION SPEC: 114-19041

MATERIAL: SEE NOTE 3 -  
 FINISH: SEE NOTE 2 -

SCALE: 1:1

SHEET 1 OF 2

REV 7

STE TE Connectivity

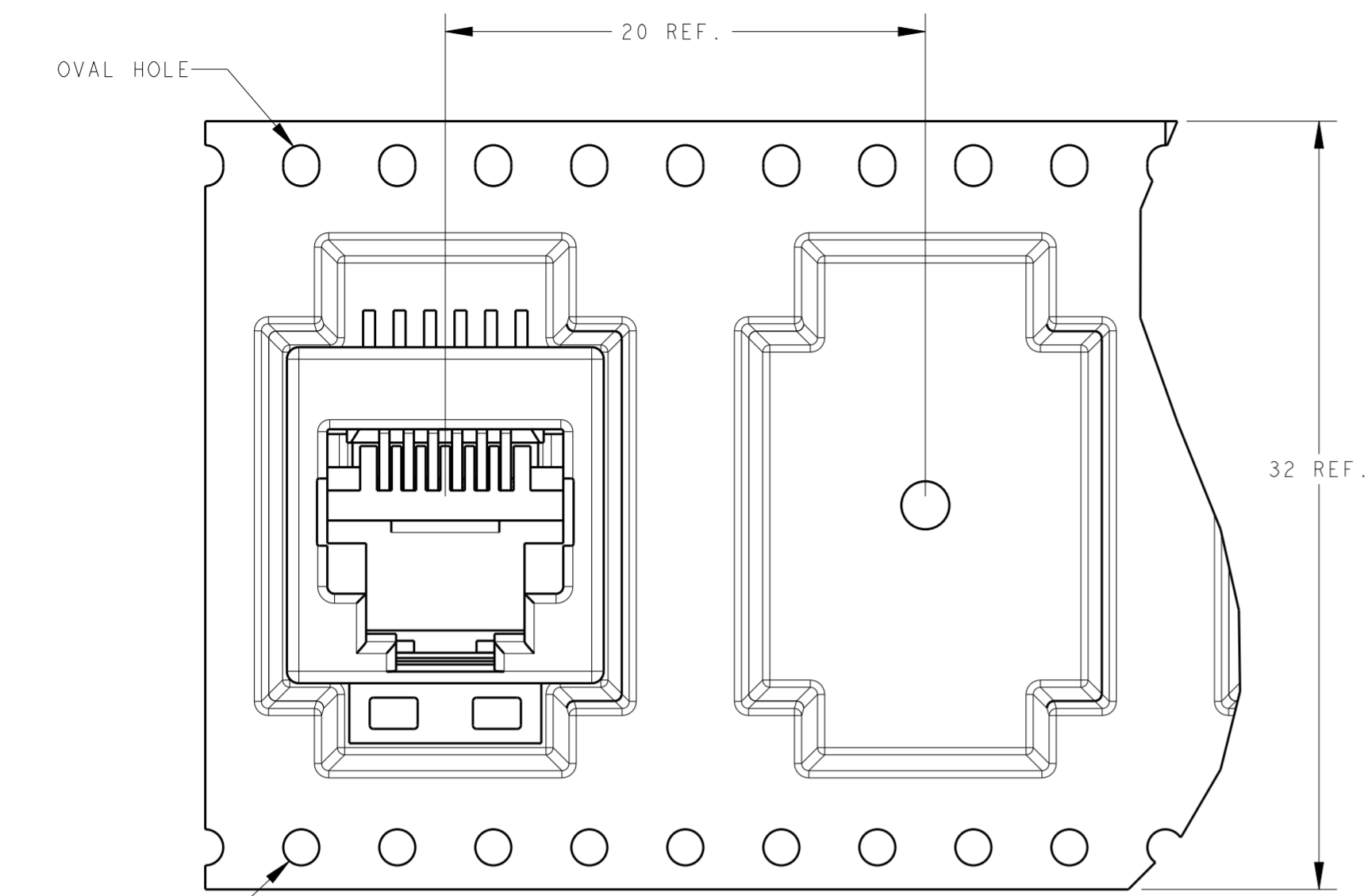
INVERTIBLE MODULAR JACK ASSEMBLY  
 SURFACE MOUNT APPLICATION  
 6/6 AND 6/4 POSITION LINE

SIZE: A2  
 CAGE CODE: 0779  
 DRAWING NO: C-338086

CUSTOMER DRAWING

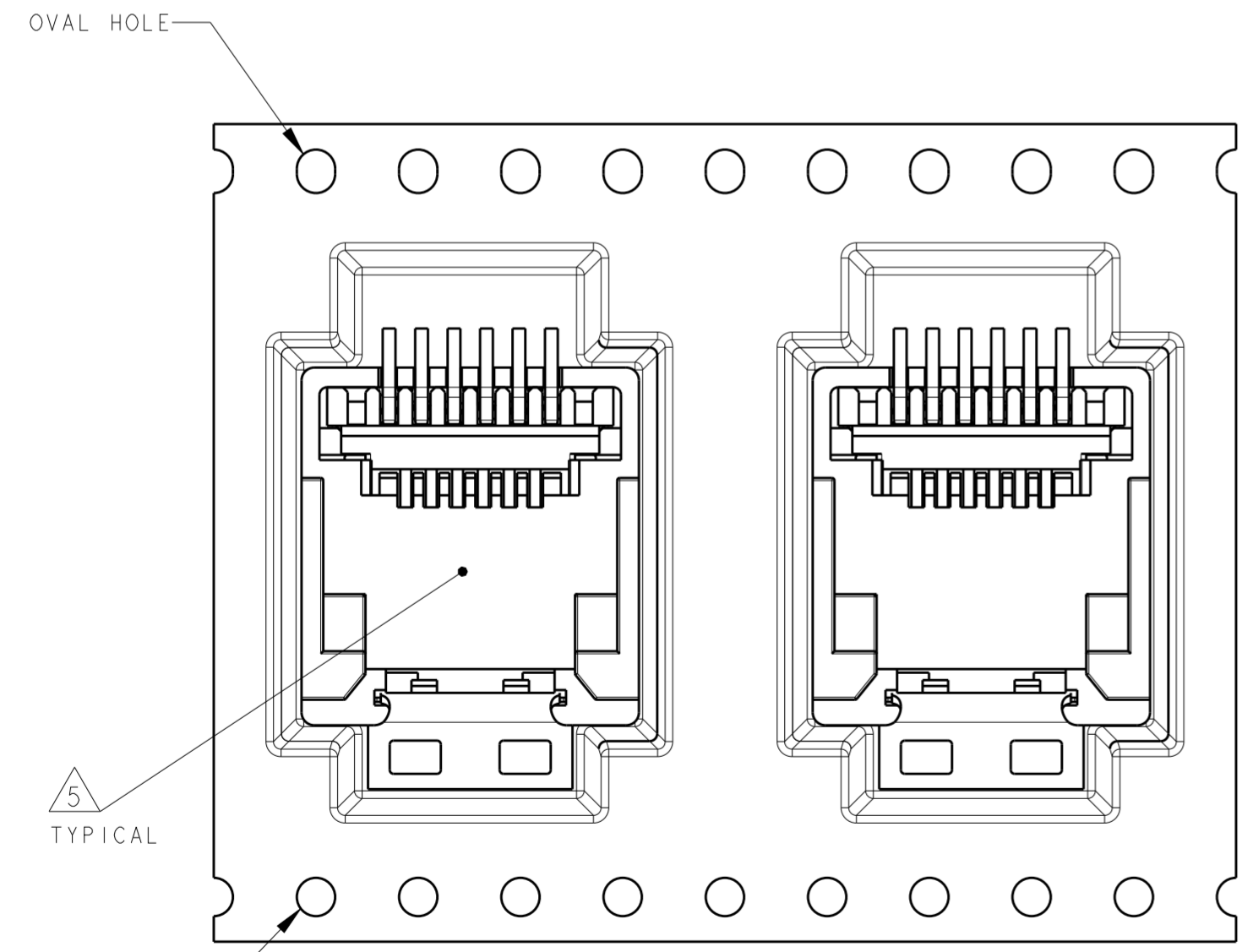
THIS DRAWING IS UNPUBLISHED. RELEASED FOR PUBLICATION  
 © COPYRIGHT - TE CONNECTIVITY ALL RIGHTS RESERVED.

| LOC | DIST | REVISIONS   |      |     |      |
|-----|------|-------------|------|-----|------|
| P   | LTR  | DESCRIPTION | DATE | DWN | APVD |
| IR  | -    | SEE SHEET 1 | -    | -   | -    |
|     |      |             |      |     |      |
|     |      |             |      |     |      |



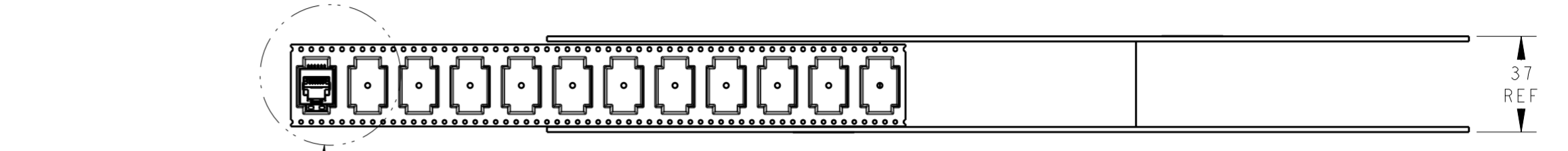
TOP ENTRY ORIENTATION.

DETAIL B1  
SCALE 4:1

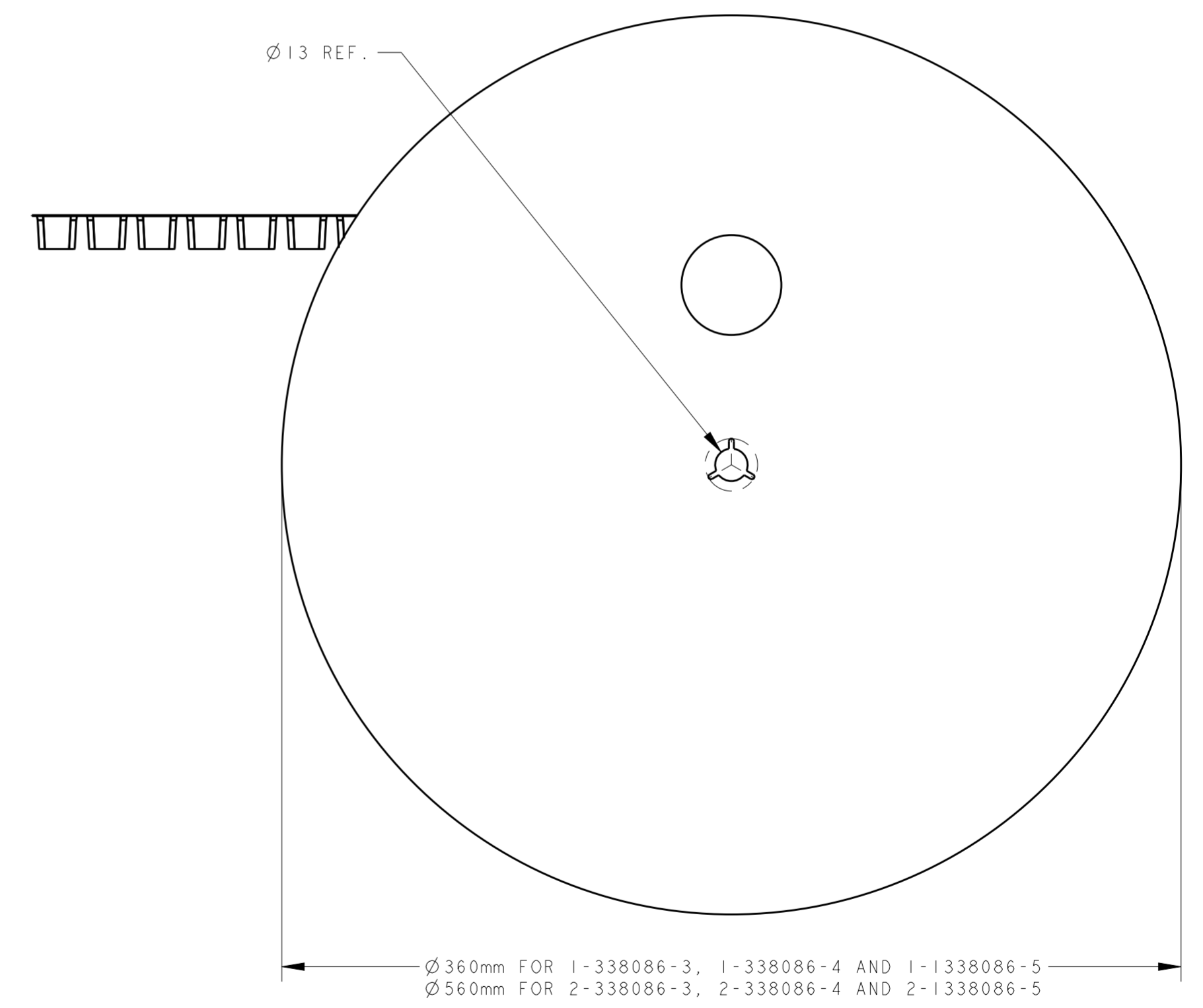


BOTTOM ENTRY ORIENTATION.

DETAIL B2  
SCALE 4:1



SEE DETAIL B1 & B2



|   |  |                               |  |                       |
|---|--|-------------------------------|--|-----------------------|
| THIS DRAWING IS A CONTROLLED DOCUMENT.                                    |  | DWN<br>E.v.EIJK<br>22-Nov-96  | TE Connectivity  |                       |
| DIMENSIONS:<br>mm   |  | CHK<br>R.SMEETS<br>DEC-96     |  |                       |
| TOLERANCES UNLESS OTHERWISE SPECIFIED:                                    |  | APVD<br>R.SMEETS              | NAME<br>INVERTIBLE MODULAR JACK ASSEMBLY<br>SURFACE MOUNT APPLICATION<br>6/6 AND 6/4 POSITION LINE |                       |
| 0 PLC ±<br>1 PLC ±<br>2 PLC ±<br>3 PLC ±<br>4 PLC ±<br>ANGLES ±<br>FINISH |  | PRODUCT SPEC<br>108-19117     | SIZE<br>114-19041  | RESTRICTED TO         |
| MATERIAL  |  | APPLICATION SPEC<br>114-19041 | WEIGHT   | SCALE 1:2             |
|   |  | CUSTOMER DRAWING              | SIZE<br>A20779   | CAGE CODE<br>C-338086 |
|   |  |                               | WEIGHT   | SHEET 2 OF 2          |
|   |  |                               |  | REV 7                 |

## X-ON Electronics

Largest Supplier of Electrical and Electronic Components

*Click to view similar products for [Modular Connectors / Ethernet Connectors](#) category:*

*Click to view products by [TE Connectivity](#) manufacturer:*

Other Similar products are found below :

[8949-H88/06BLKA/SN](#) [74441-0010/BKN](#) [MP1010RX-1000](#) [MP44RX-1000](#) [PHJ-4P4C-1-V-4](#) [PHP-6P6C-5](#) [GAX-3-66](#) [GAX-8-62](#) [GDCX-PA-66-50](#) [GDCX-PN-64](#) [GDCX-PN-66](#) [GDCX-PN-66-50](#) [GDLX-A-66](#) [GDLX-N-66](#) [GDLX-S-66](#) [GDLX-S-88K](#) [GDLX-SMT-S-88](#) [GDTX-S-88-50](#) [GDX-PA-1010](#) [GLX-N-1010M-BLK](#) [GLX-S-88M-BLK](#) [GMX-N-1010](#) [GMX-S-1010](#) [GMX-S-66](#) [GMX-SMT4-N-88](#) [GPX-2-64](#) [GSGX-N-2-88](#) [GSGX-N-4-88](#) [GSX-NS2-88-3.05](#) [GSX-NS2-88-3.05-50](#) [GSX-NS-88-3.05-50](#) [PT-108A-8C-UL](#) [PT-J951-8C](#) [PTS-J531-8CS-50UL](#) [1-1775629-2](#) [A-2014-0-4](#) [GWLX-S-88-GR](#) [GWLX-S9-88-YG](#) [DC-1021-8-WH-6](#) [1300530003](#) [1324640-4](#) [RJ11FTVC2G](#) [RJ11FTVC2N](#) [RJFTVX2SA1G](#) [132764-001](#) [1413235](#) [MP88X-1000](#) [MPS88RX-5000](#) [E5288-S000K3-L](#) [E5908-15A242-L](#)